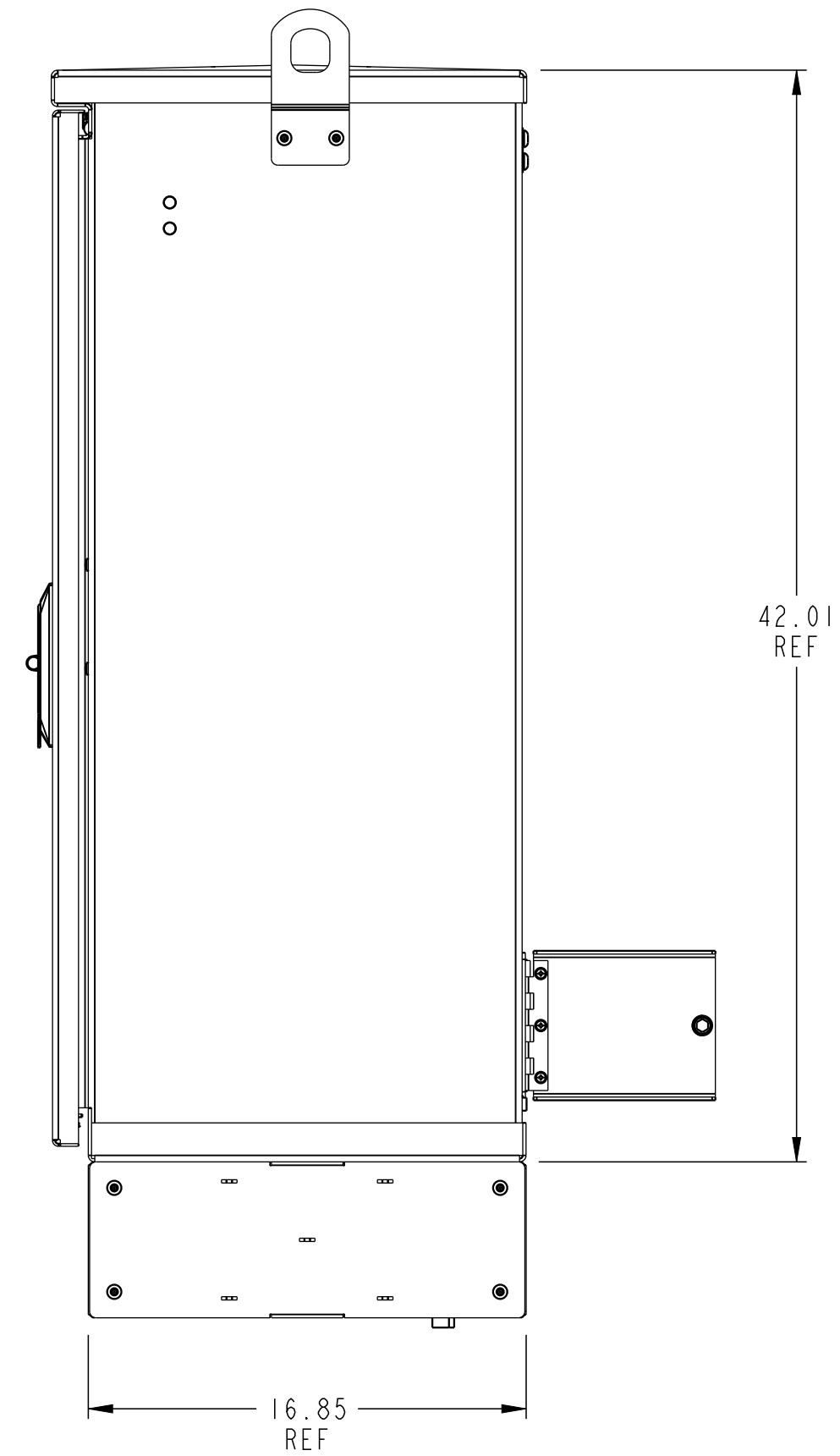
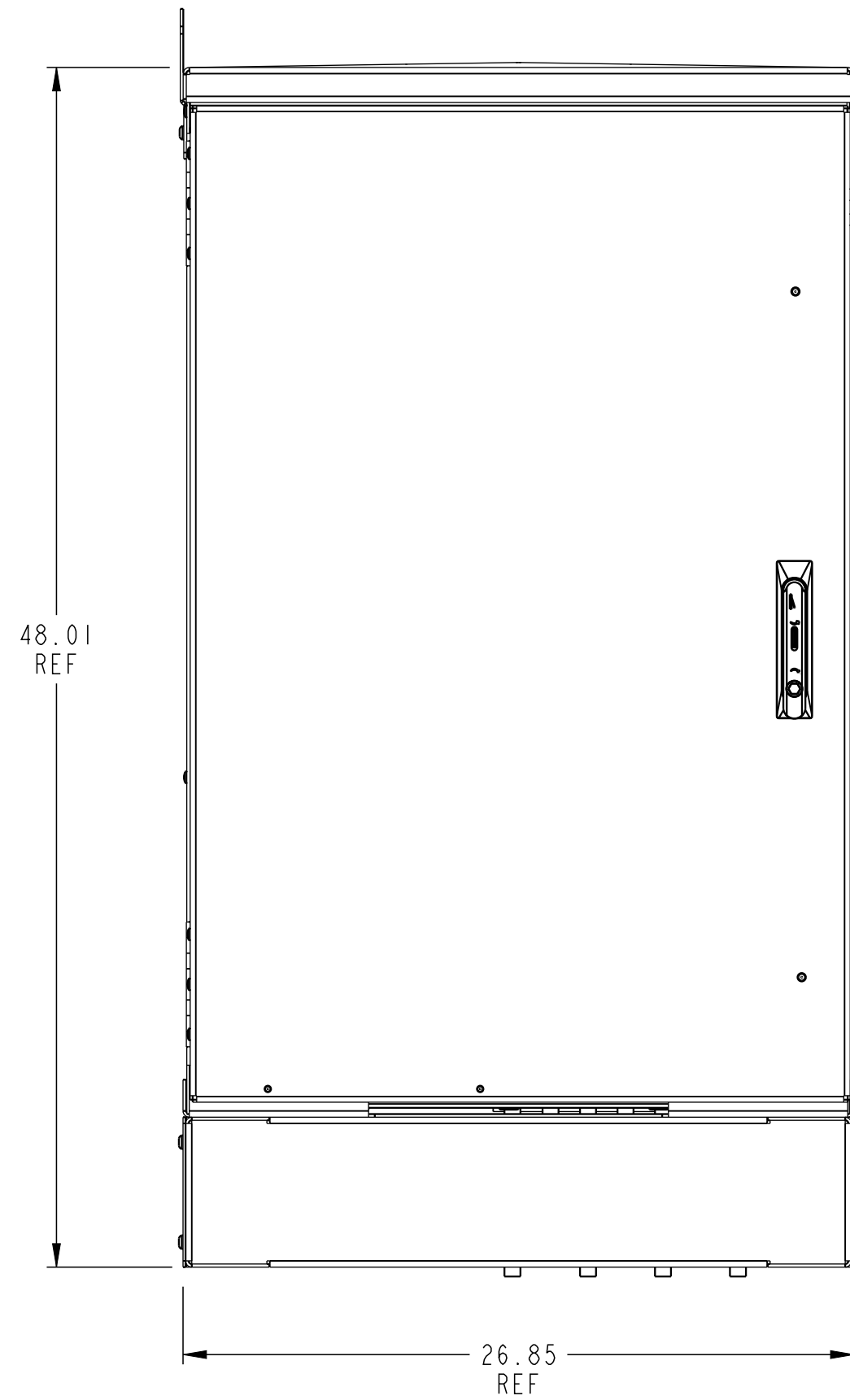
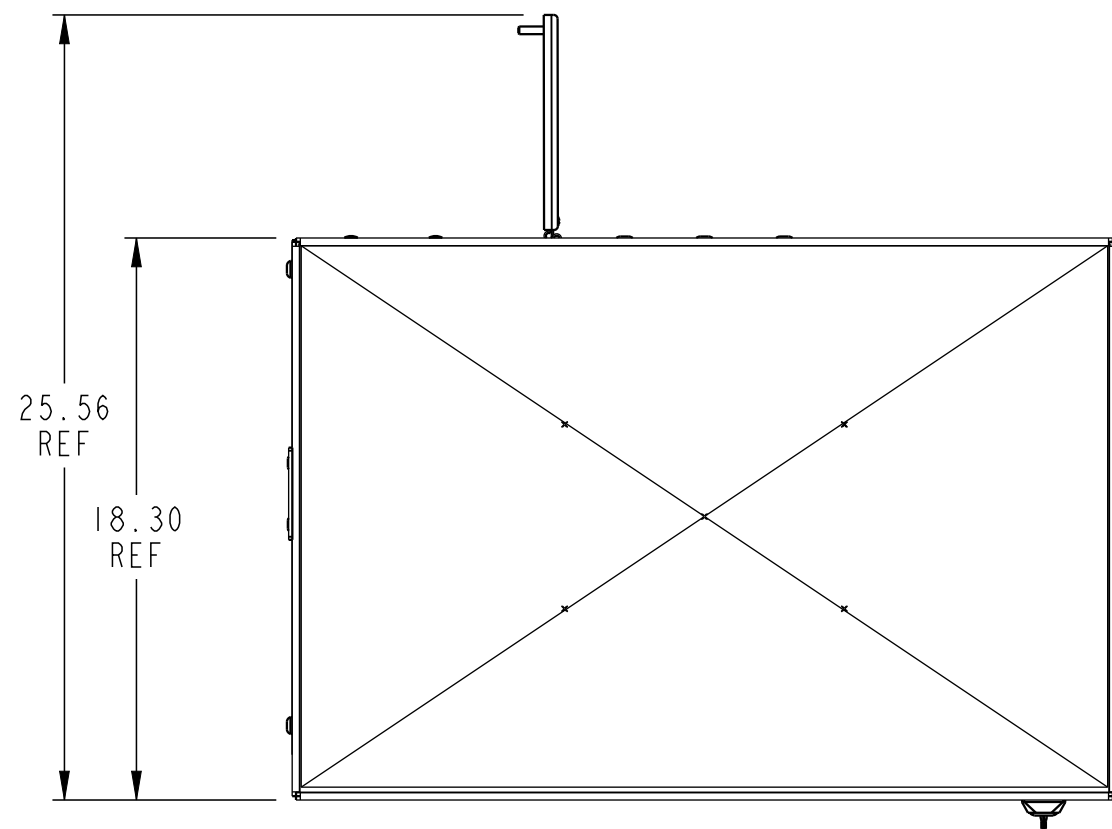


REV	MCO	DWN	DATE
B	40028950MCO	CA	22-MAR-16
C	40032857MCO	RCR	12-AUG-16



© 2016 COMMSCOPE, INC. CONFIDENTIAL
 NOTICE: THESE DRAWINGS AND SPECIFICATIONS
 ARE THE PROPRIETARY PROPERTY OF
 COMMSCOPE, INC. AND MAY BE USED ONLY FOR THE
 SPECIFIC PURPOSE AUTHORIZED IN WRITING BY
 COMMSCOPE, INC.

TITLE 432 X-CONNECT
 INSTALLATION DRW

COMMSCOPE, INC.

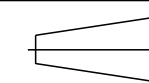
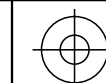
ALL DIMS AND TOLERANCES .XX:±N/A
 ARE INCHES UNLESS .XXX:±N/A
 OTHERWISE SPECIFIED ANGULAR:±N/A

C SIZE DRAWING NUMBER
 1449543_ADC C REV

DO NOT SCALE DRAWING

ENGR: ARTURO BARRAZA
 DWN: GABRIEL VARELA C.

SHT. 1 OF 3



**DIMENSIONS IN INCHES
 THIRD ANGLE PROJECTION**

A

B

C

D

1

2

3

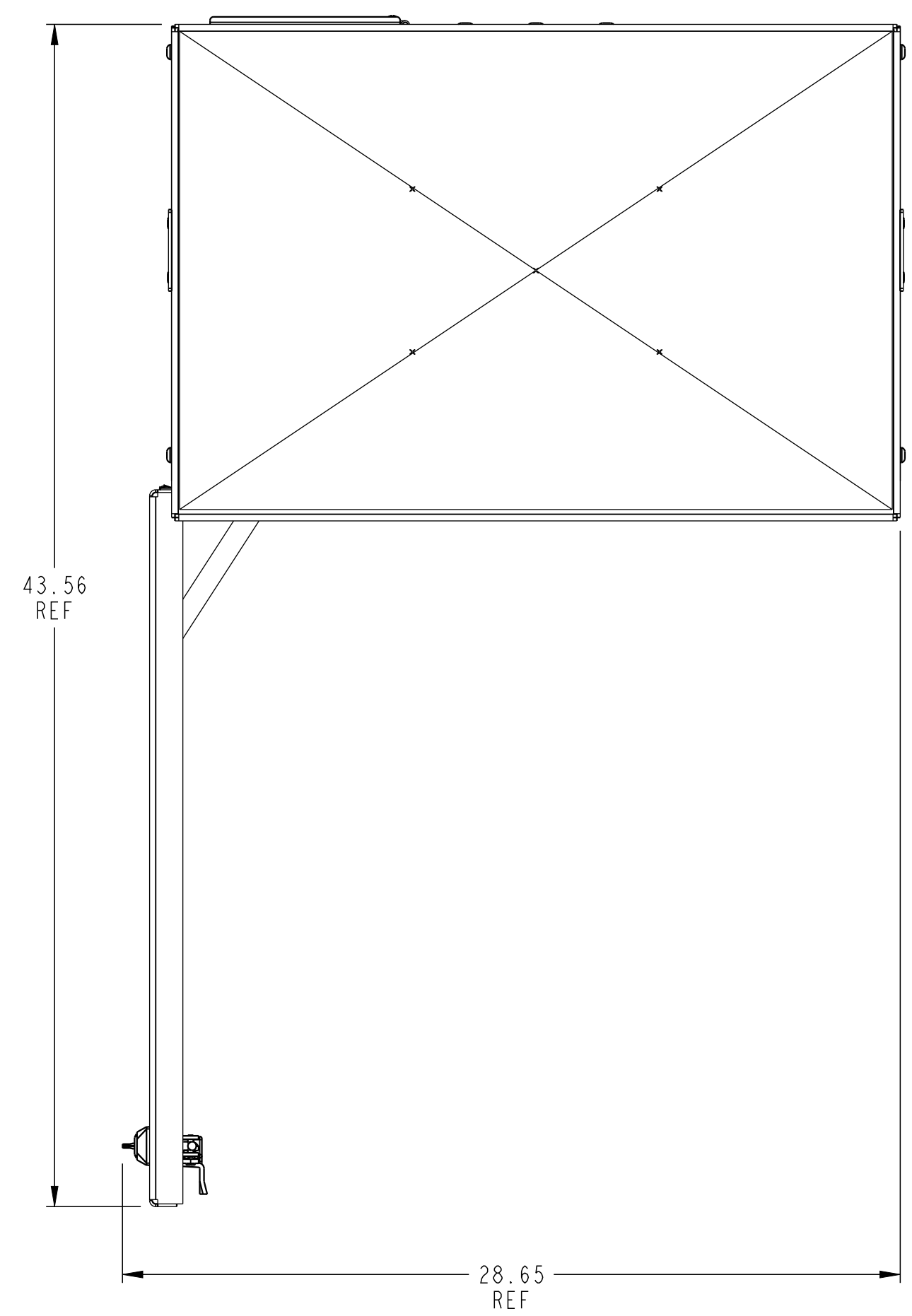
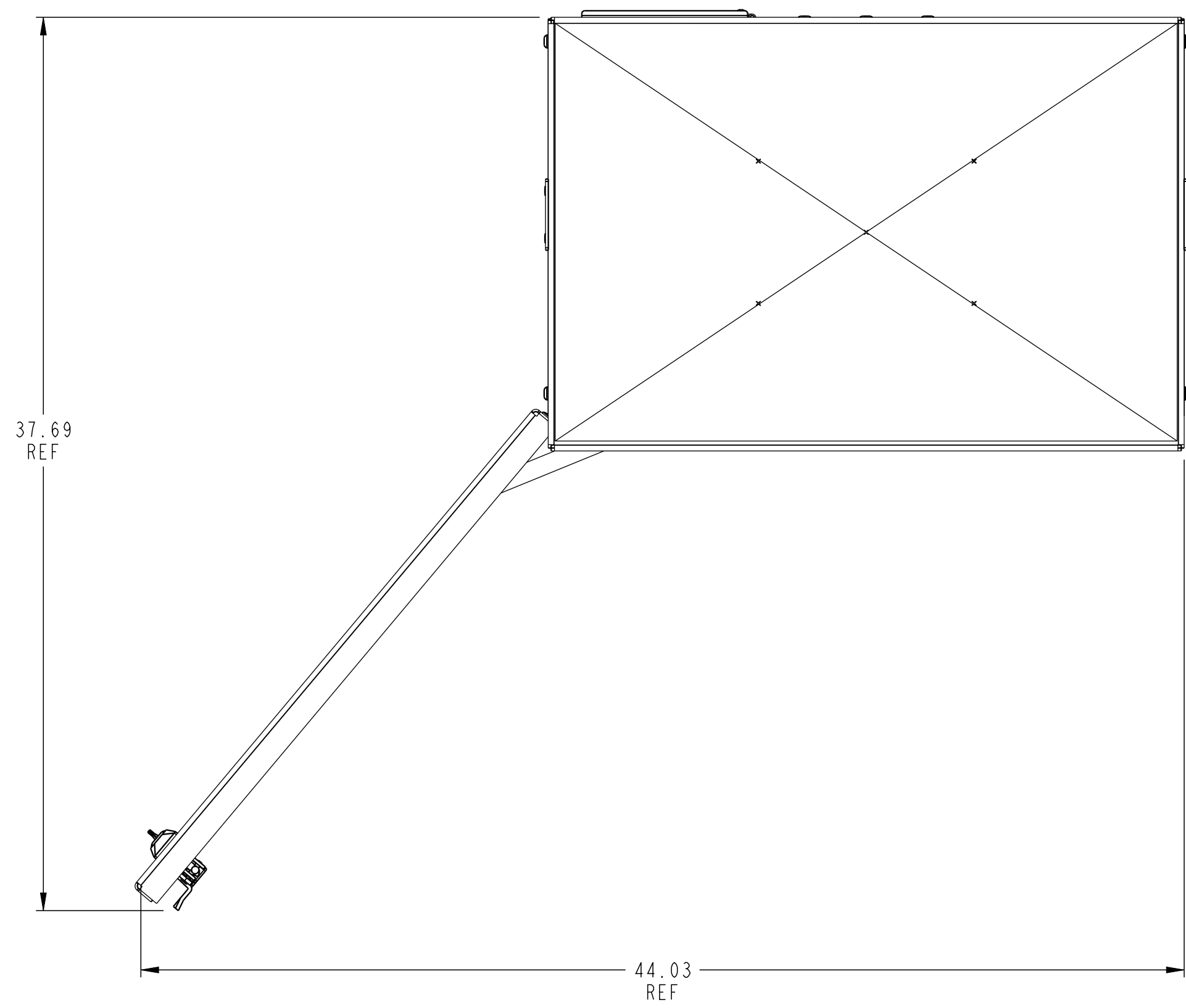
4

1

2

3

4



COMMSCOPE, INC.

© 2016 COMMSCOPE, INC. CONFIDENTIAL
 NOTICE: THESE DRAWINGS AND SPECIFICATIONS
 ARE THE PROPRIETARY PROPERTY OF
 COMMSCOPE, INC. AND MAY BE USED ONLY FOR THE
 SPECIFIC PURPOSE AUTHORIZED IN WRITING BY
 COMMSCOPE, INC.

TITLE 432 X-CONNECT
 INSTALLATION DRW

ALL DIMS AND TOLERANCES .XX:±N/A
 ARE INCHES UNLESS .XXX:±N/A
 OTHERWISE SPECIFIED ANGULAR:±N/A

C DRAWING NUMBER C
 SIZE 1449543_ADC REV

DO NOT SCALE DRAWING

ENGR: ARTURO BARRAZA
 DWN: GABRIEL VARELA C.

SHT. 2 OF 3

A

B

C

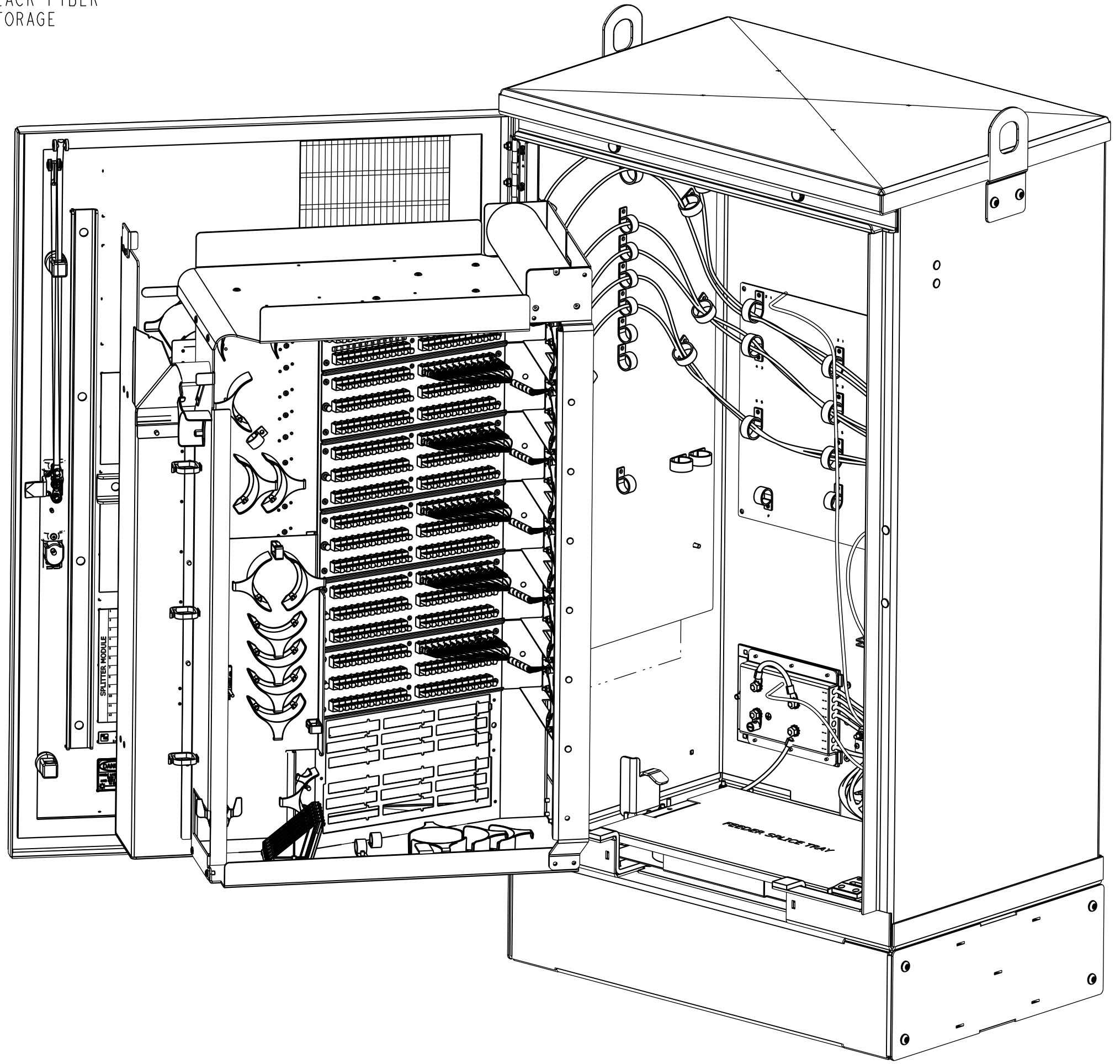
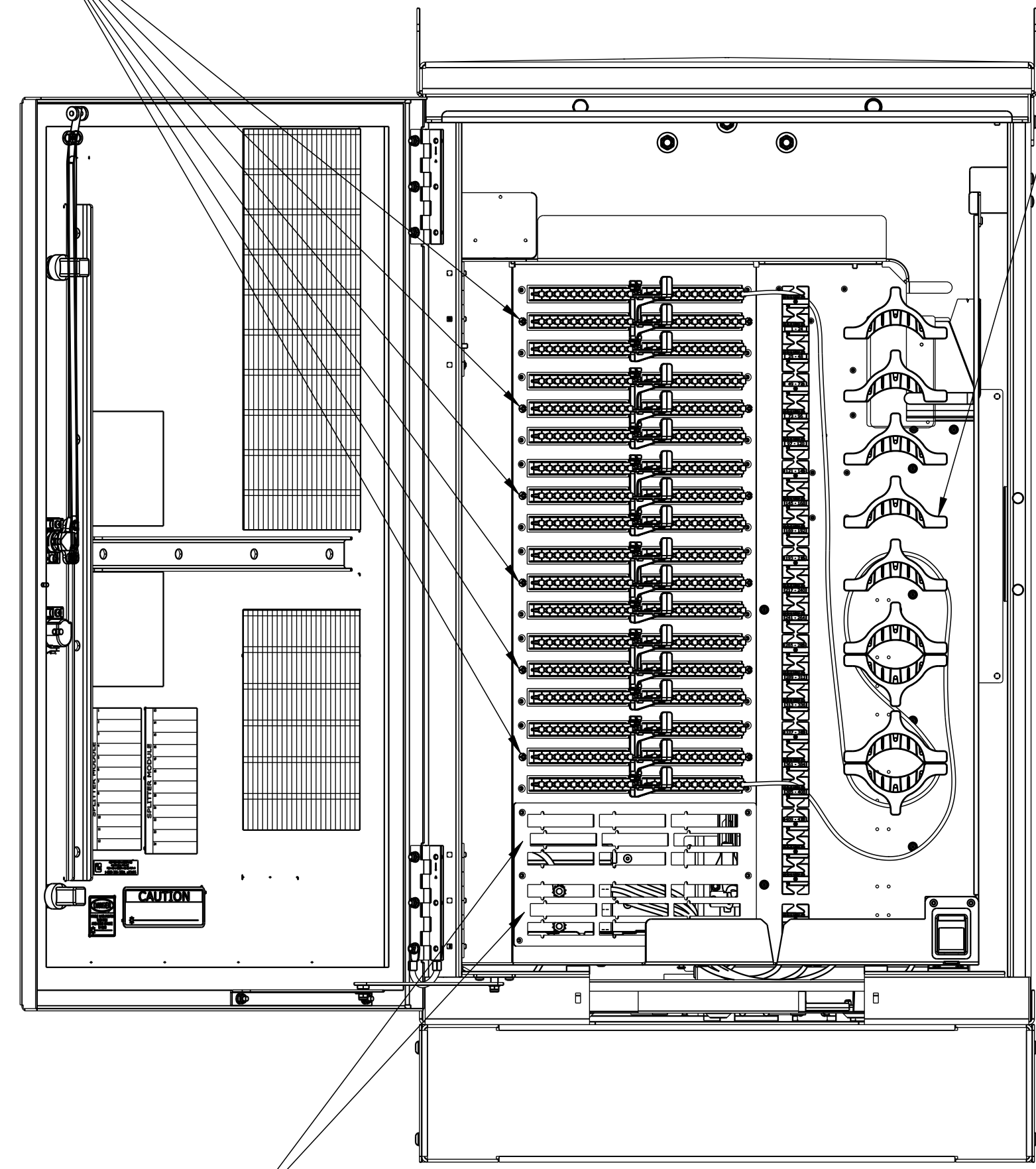


**DIMENSIONS IN INCHES
 THIRD ANGLE PROJECTION**

DISTRIBUTION
PANELS

SLACK FIBER
STORAGE

CONNECTOR STORAGE
PANEL



COMMSCOPE, INC.

© 2016 COMMSCOPE, INC. CONFIDENTIAL
 NOTICE: THESE DRAWINGS AND SPECIFICATIONS
 ARE THE PROPRIETARY PROPERTY OF
 COMMSCOPE, INC. AND MAY BE USED ONLY FOR THE
 SPECIFIC PURPOSE AUTHORIZED IN WRITING BY
 COMMSCOPE, INC.

TITLE 432 X-CONNECT
 INSTALLATION DRW

ALL DIMS AND TOLERANCES .XX:±N/A
 ARE INCHES UNLESS .XXX:±N/A
 OTHERWISE SPECIFIED ANGULAR:±N/A

C DRAWING NUMBER
 SIZE 1449543_ADC C REV

DO NOT SCALE DRAWING

ENGR: ARTURO BARRAZA
 DWN: GABRIEL VARELA C.

SHT. 3 OF 3

DIMENSIONS IN INCHES
 THIRD ANGLE PROJECTION