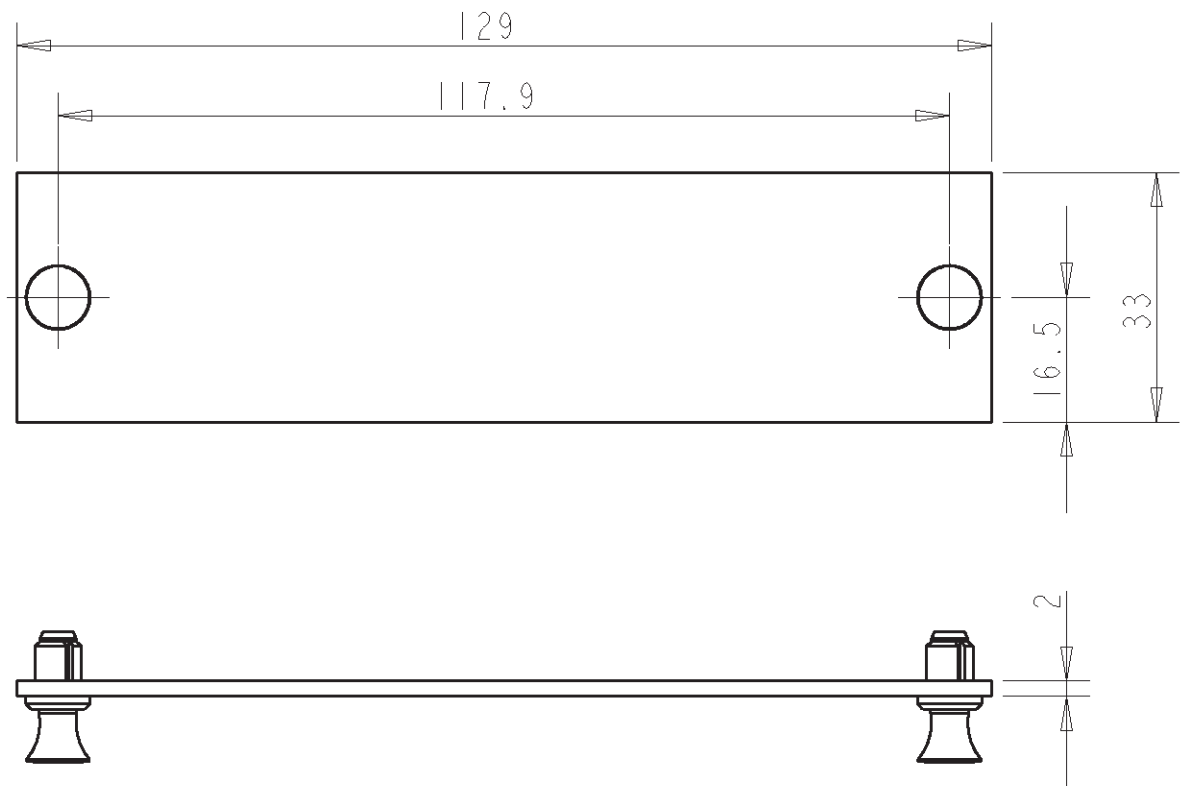
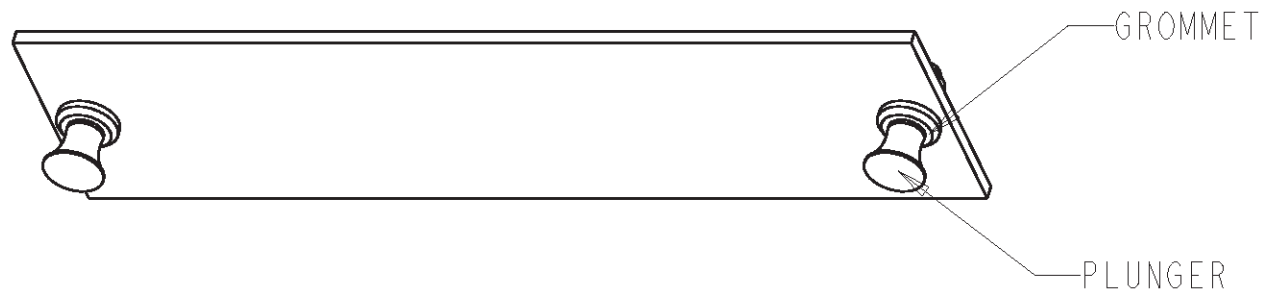


REVISIONS				
REV	DESCRIPTION	DATE	DWN	APVD
AB	ECN 8000017777-REBRANDING	11-28-16	SC	JV



		100	1-1671146-1
		1	0-1671146-1
		QTY	PART NUMBER
CUSTOMER DRAWING		part N° : 1671146	
DRAWING STATUS	REVISION DESCRIPTION: -		
RELEASED	DRAWING BY	DRAWING REVISION BY	VOLUME OF MOULDED PART OR AREA OF UNFOLDED SHEETMETAL PART. mm ³ / mm ²
	NAME: H. BLEUS	NAME: -	-
	DATE: 24-MAY-07	DATE: -	-
SCALE:	DRAWING FORMAT	DRAWING TITLE	
1.000	A3	SNAP IN BLANK MODULE (EMEA)	
ISO-SYMBOL	GENERAL TOLERANCE		
COMMSCOPE, INC.		DRAWING_SHEET_REVISION NUMBER	REVISION
		D_0015713_01_AB	AB
THE DRAWING AND INFORMATION SET FORTH HERE ON ARE THE PROPERTY OF COMMSCOPE, INC. AND ARE TO BE HELD IN TRUST AND CONFIDENCE PUBLICATION, DUPLICATION, DISCLOSURE OR USE FR ANY PURPOSE NOT EXPRESSLY AUTHORIZED IN WRITING BY COMMSCOPE IS PROHIBITED.			