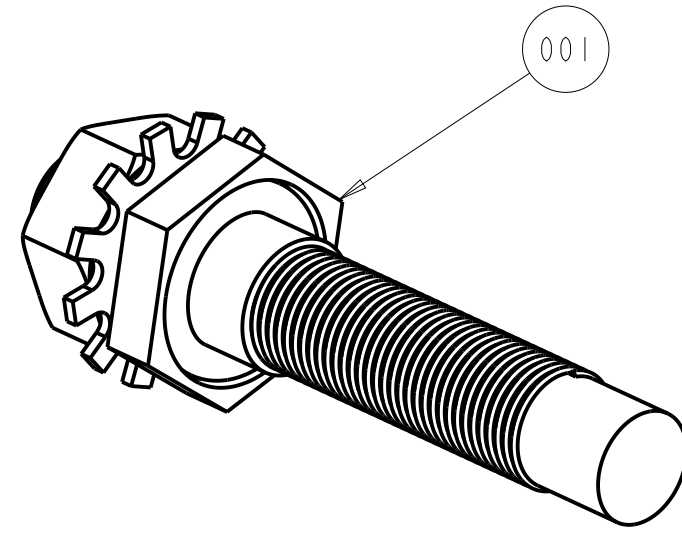


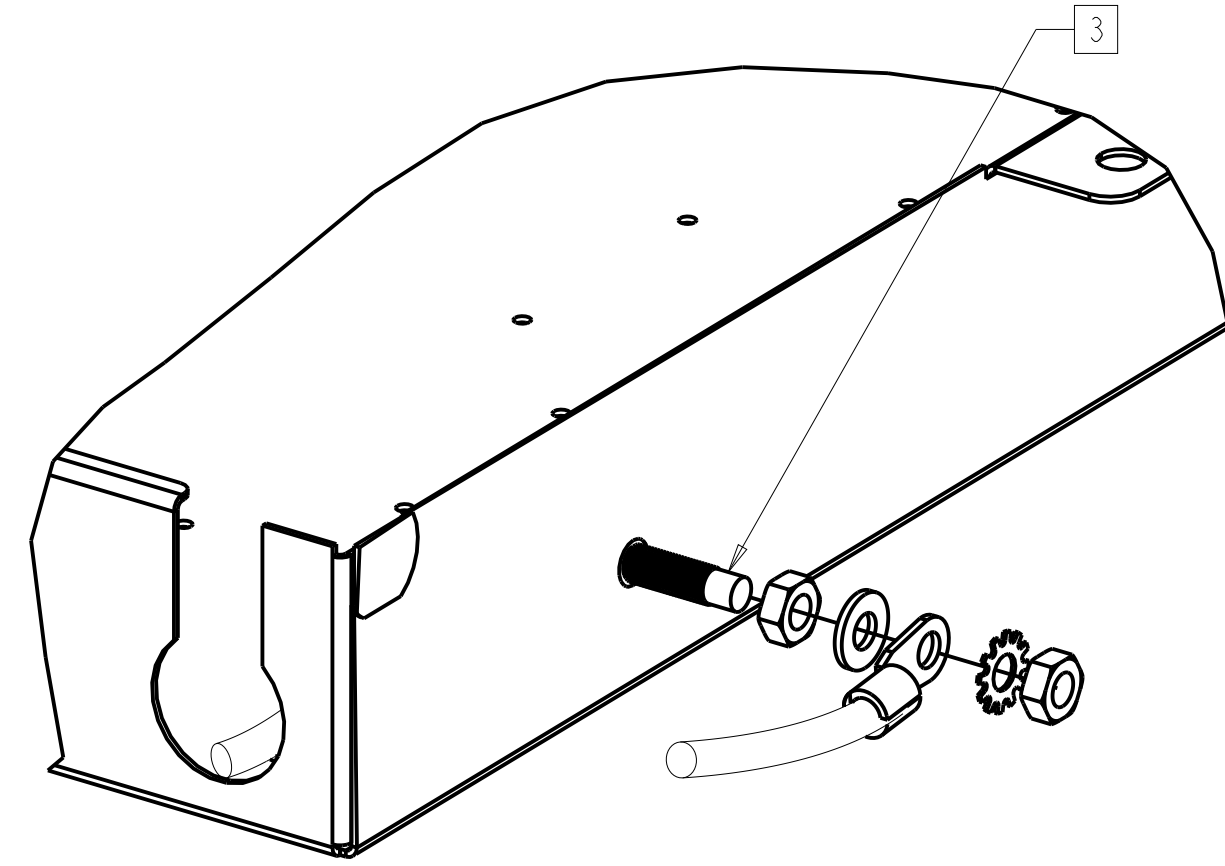
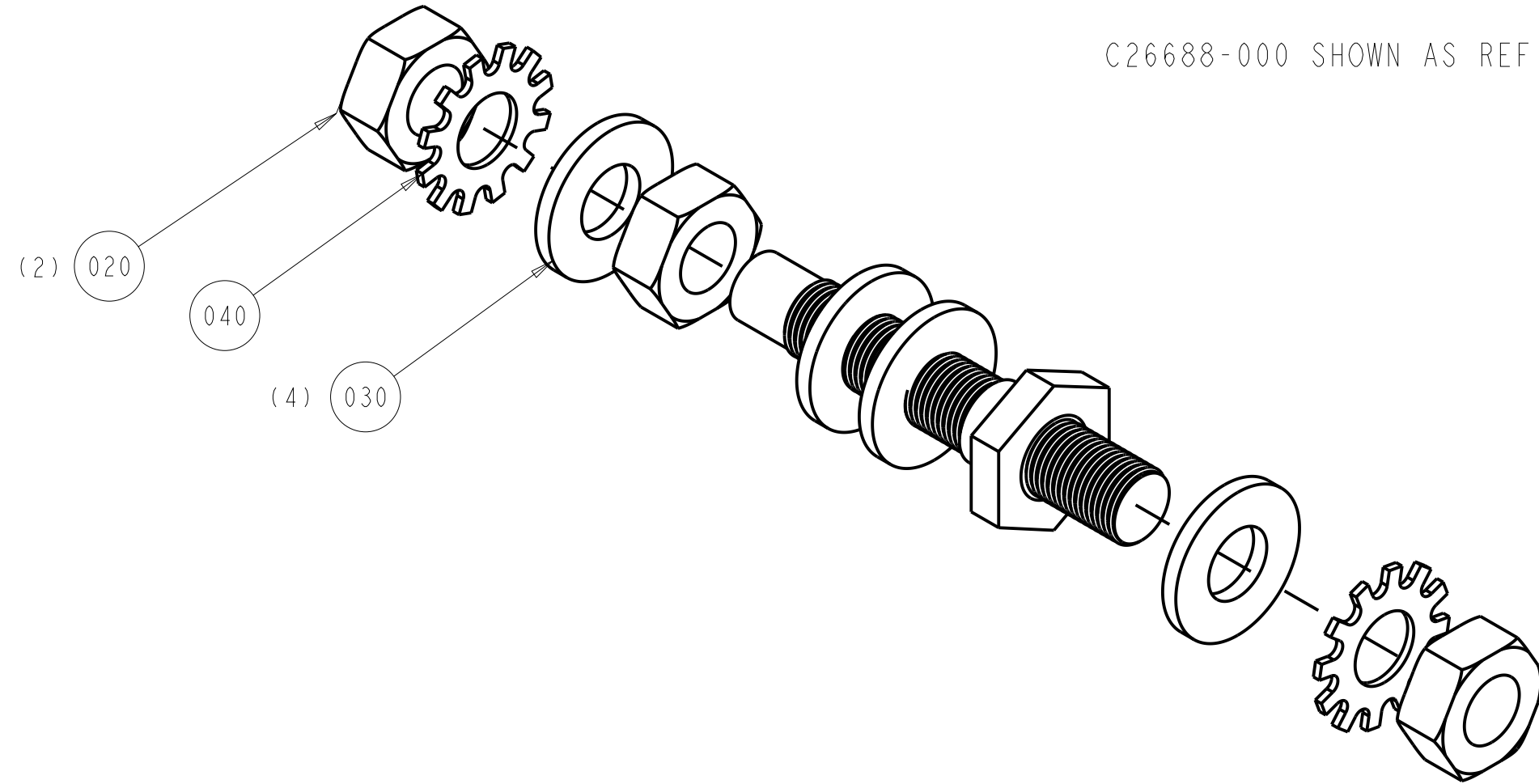
REV	MCO	DWN	DATE
C	20314329	DHV	26-SEP-11
D	8000019352	NERI	27-JAN-17

NOTES

- 1 THE SIZE OF THE ENCLOSURE MAY VARY, IS SHOWN AS REFERENCE
- 2. GROUND TERMINAL SHOWN AS REFERENCE, IS NOT PROVIDED WITH THE KIT.
- 3 INSTALL GROUND POST WITH TWO WASHERS FROM THE INSIDE OF THE BOX
- 4. GROUND POST AND NUTS TO BE TORQUED AT 40 IN-LBS.
- 5. PLACE ALL COMPONENTS WITH DRAWING INCLUDED IN BAG F/N 050

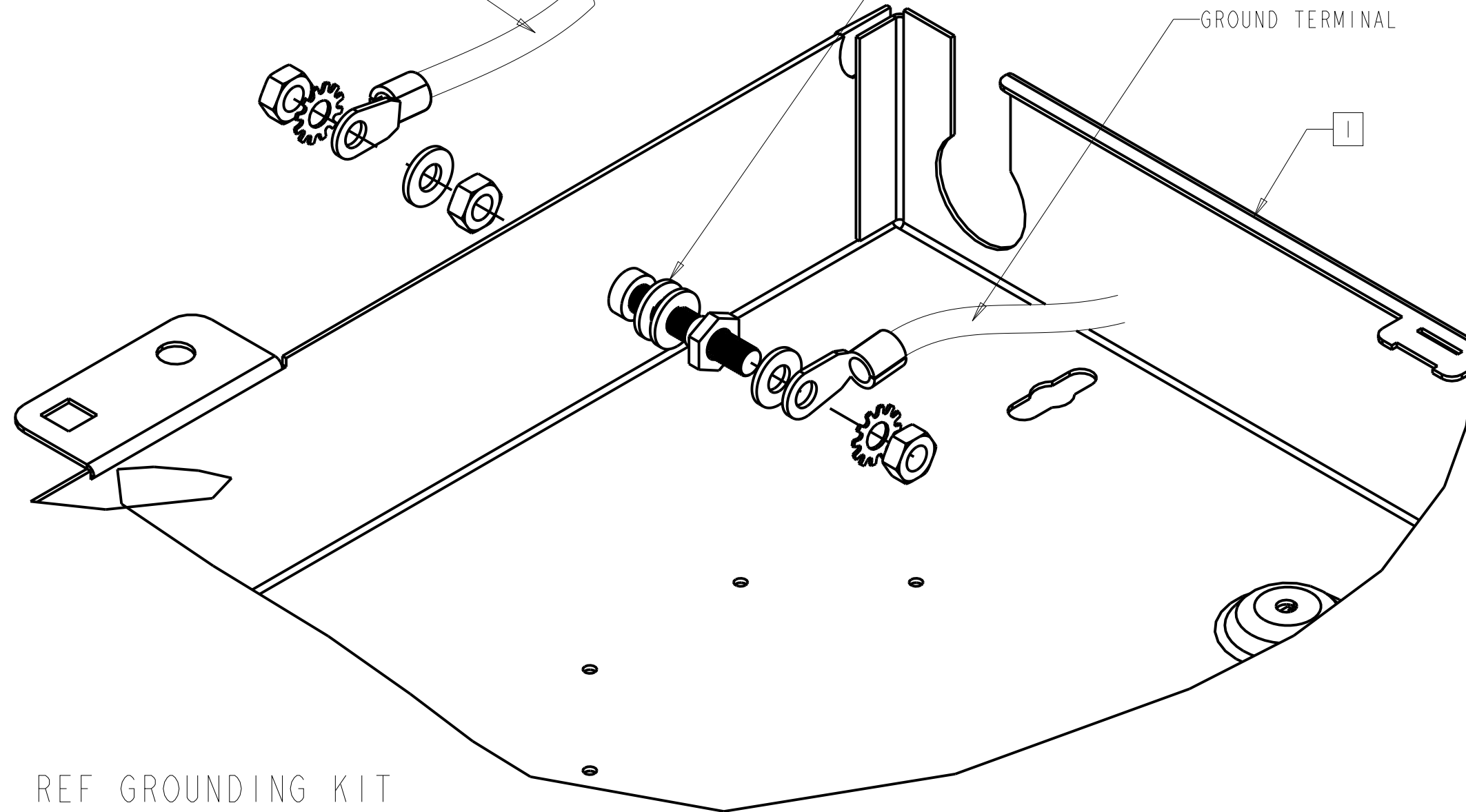


C26688-000 SHOWN AS REF

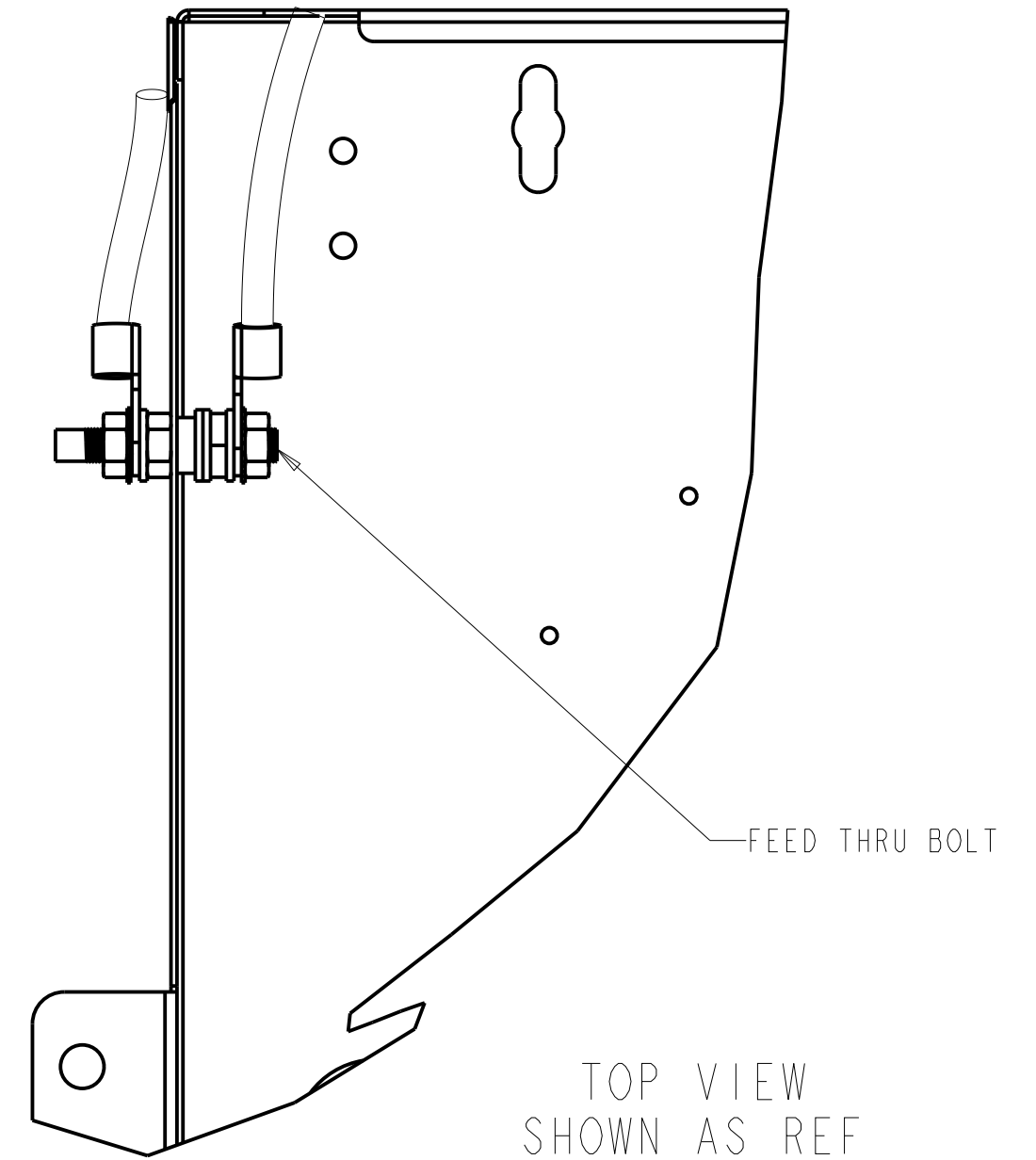


REF GROUNDING KIT  
EXTERNAL VIEW INSTALLATION

GROUND TERMINAL  
WASHERS  
GROUND TERMINAL



REF GROUNDING KIT  
INTERNAL VIEW INSTALLATION



TOP VIEW  
SHOWN AS REF

COMMSCOPE, INC.

© 2016 COMMSCOPE, INC. CONFIDENTIAL NOTICE: THESE DRAWINGS AND SPECIFICATIONS ARE THE PROPRIETARY PROPERTY OF COMMSCOPE, INC. AND MAY BE USED ONLY FOR THE SPECIFIC PURPOSE AUTHORIZED IN WRITING BY COMMSCOPE, INC.		TITLE GROUNDING BLOCK 80T 1/4 FDTHRU ASSY	
ALL DIMS AND TOLERANCES ARE INCHES UNLESS OTHERWISE SPECIFIED	.XX:±.xx .XXX:±.xxx ANGULAR:±N/A	C SIZE DRAWING NUMBER 300001732808	D REV
DO NOT SCALE DRAWING	ENGR: ADRIAN PONCE DWN: DANIEL E. HERRERA	SHT. 1 OF 1	

DIMENSIONS IN INCHES  
THIRD ANGLE PROJECTION