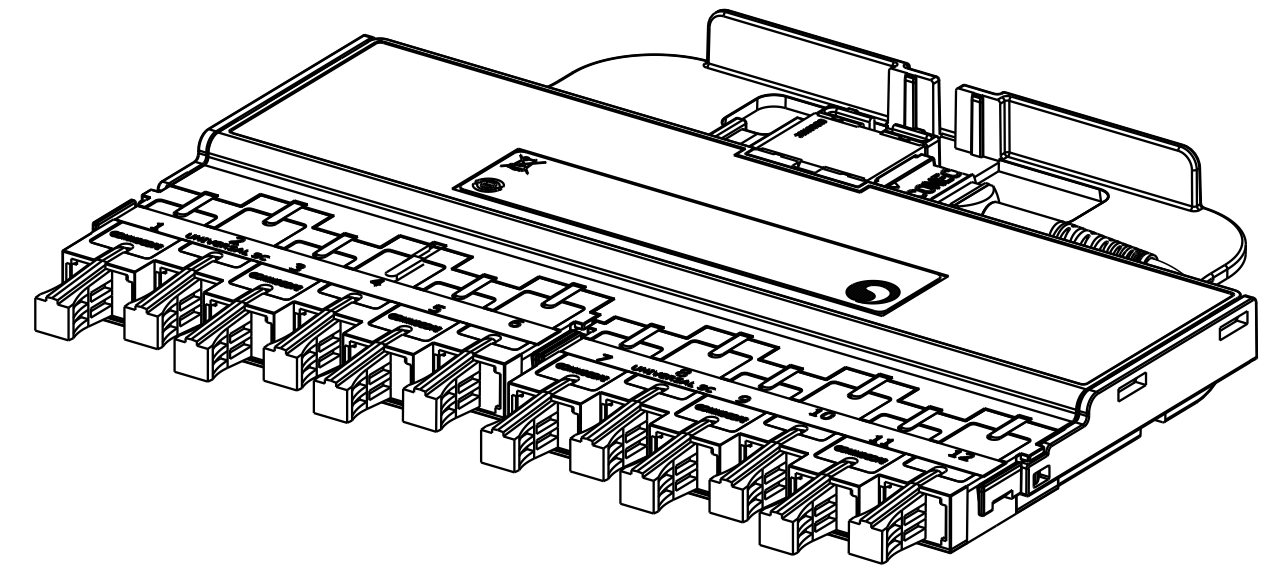
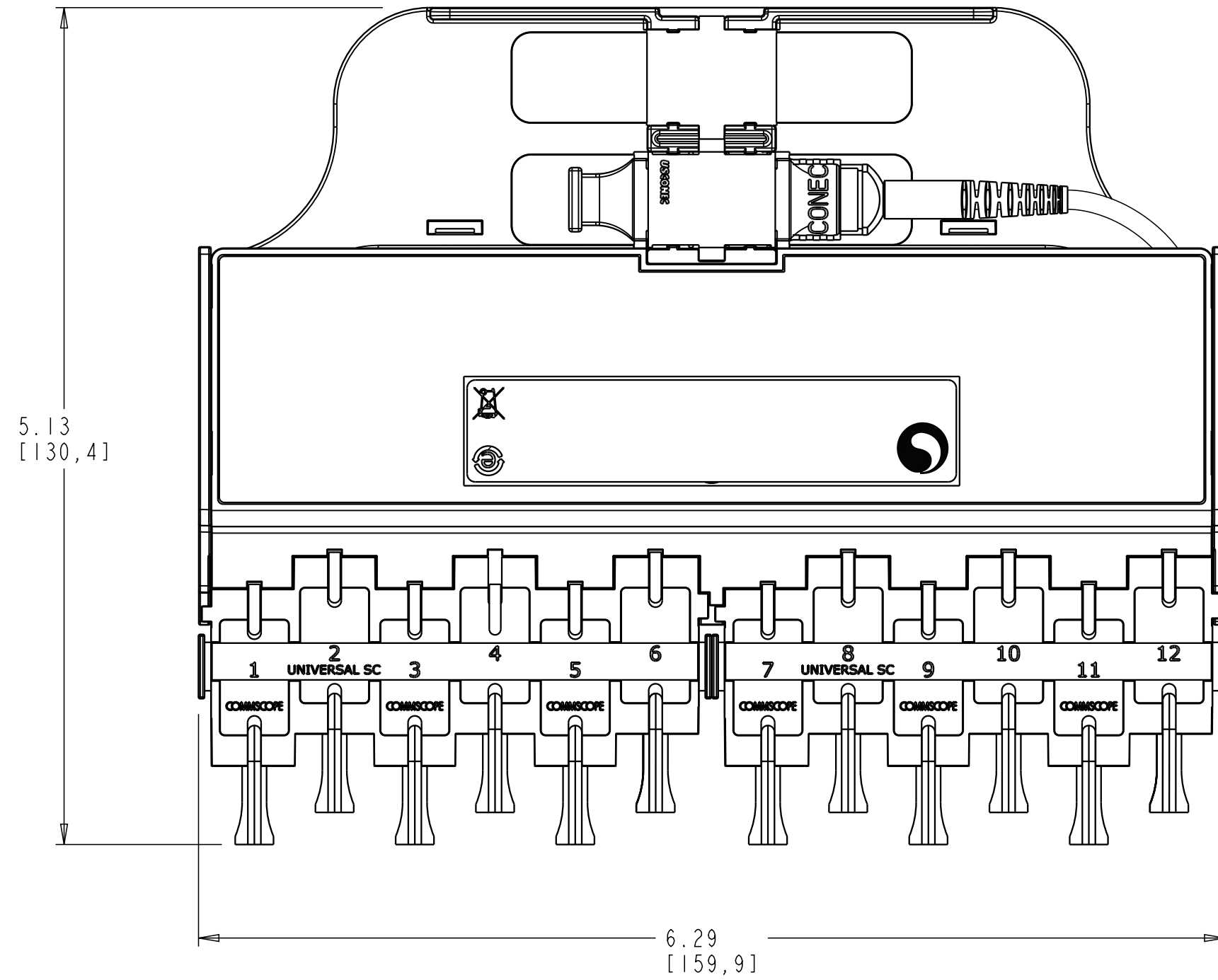
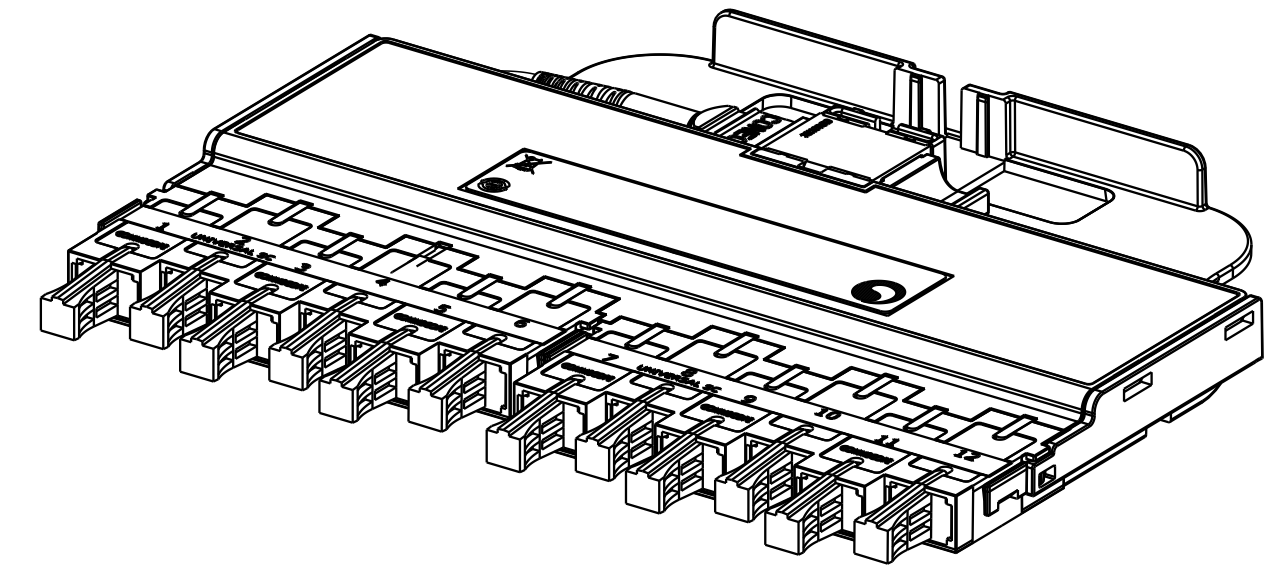


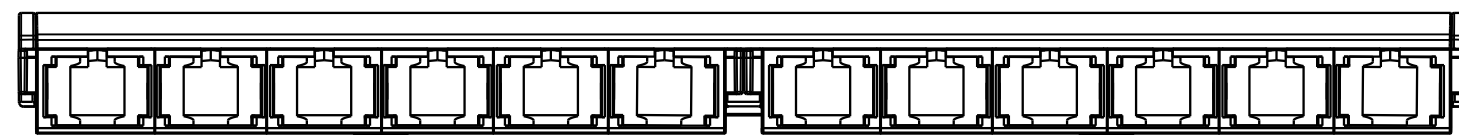
REV.	MCO	DWN	DATE
A	20338316	JAJR	26-MAR-13
B	8000018817	SC	07-JAN-17



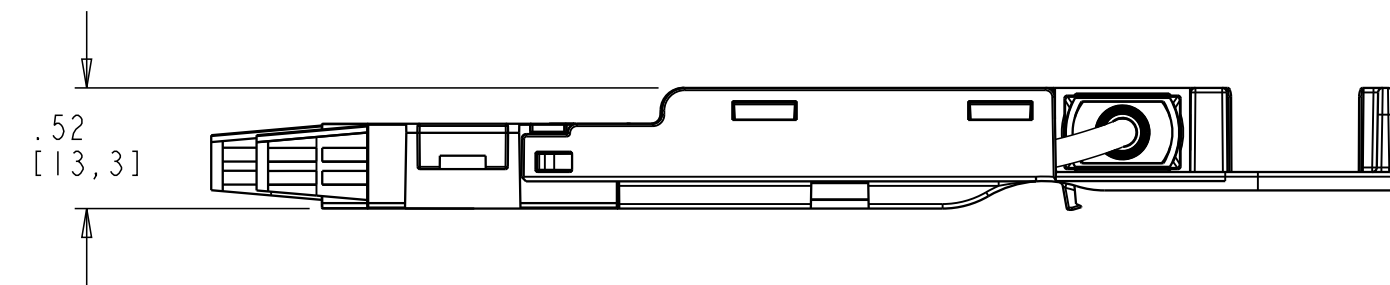
RIGHT EXIT MODULE



LEFT EXIT MODULE



RIGHT EXIT VERSION
SHOWN FOR REFERENCE ONLY



COMMSCOPE, INC.

<small>© 2016 COMMSCOPE, INC. CONFIDENTIAL NOTICE: THESE DRAWINGS AND SPECIFICATIONS ARE THE PROPRIETARY PROPERTY OF COMMSCOPE, INC. AND MAY BE USED ONLY FOR THE SPECIFIC PURPOSE AUTHORIZED IN WRITING BY COMMSCOPE, INC.</small>		TITLE NG4ACCESS MPO MODULE SC INSTALLATION DRAWING	
<small>ALL DIMS AND TOLERANCES ARE INCHES UNLESS OTHERWISE SPECIFIED</small>	<small>.XX:±N/A .XXX:±N/A ANGULAR:±N/A</small>	C SIZE DRAWING NUMBER 300001758733	B REV
DO NOT SCALE DRAWING		ENGR: JORGE SILVA DWN: JOSE A JARA	SHT. 1 OF 1

DIMENSIONS IN INCHES
THIRD ANGLE PROJECTION