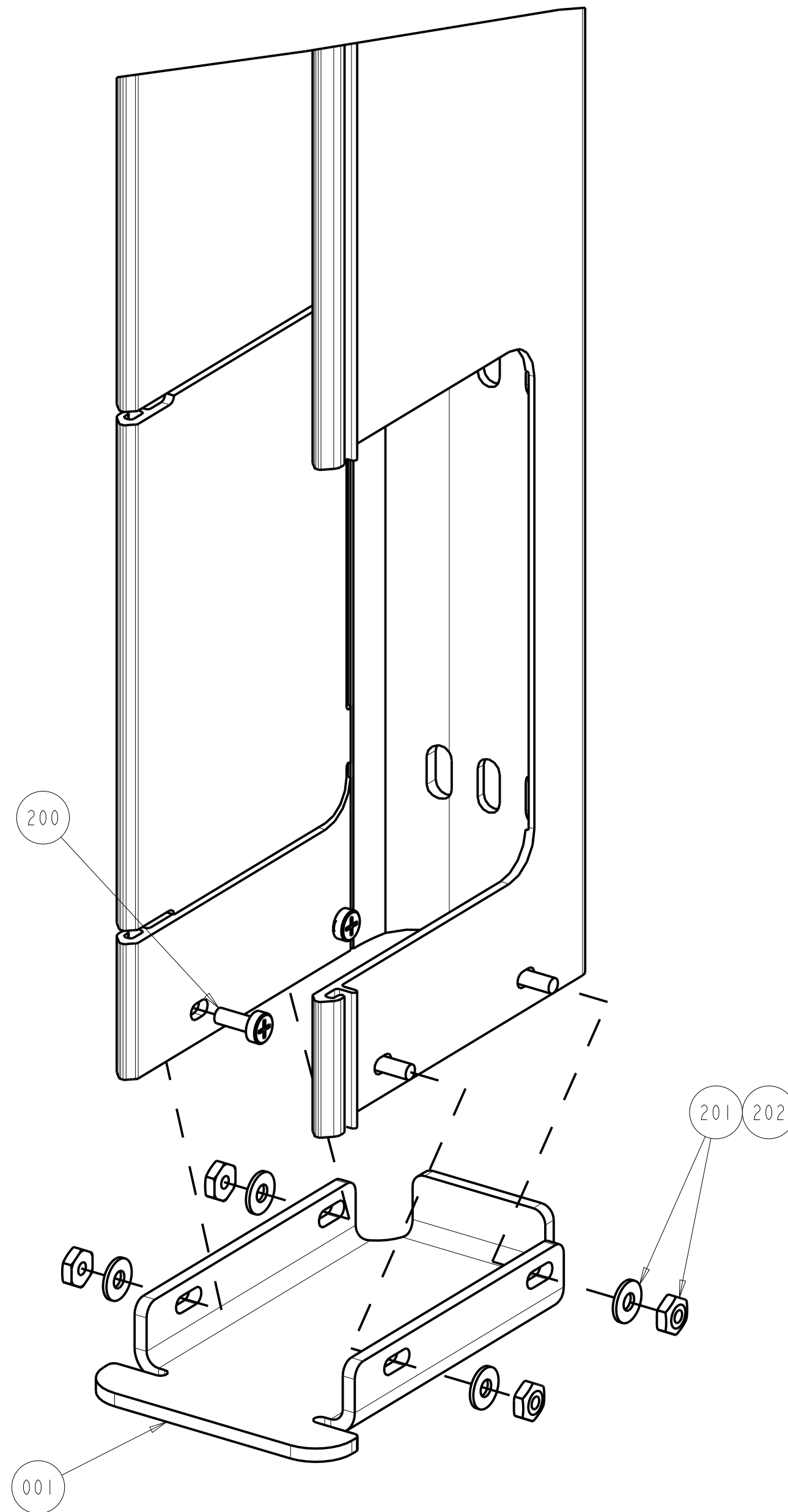


REV	MCO	DWN	DATE
A	20336304	EEG	13-FEB-13
B	8000019180	SC	19-JAN-17

LIST OF PARTS IN KIT		
ITEM	DESCRIPTION	QTY
001	END CAP, 2" X 4", BLACK	1
200	SCREW, #6-32, .375	4
201	WASHER, FLAT, #6	4
202	NUT, #6-32	4



SCALE 1.000

CAT #: FGS-HMEC-24

COMMSCOPE, INC.

<small>© 2016 COMMSCOPE, INC. CONFIDENTIAL NOTICE: THESE DRAWINGS AND SPECIFICATIONS ARE THE PROPRIETARY PROPERTY OF COMMSCOPE, INC. AND MAY BE USED ONLY FOR THE SPECIFIC PURPOSE AUTHORIZED IN WRITING BY COMMSCOPE, INC.</small>	TITLE INSTALLATION DRAWING FGS END CAP 2WX4H VERTICAL KIT		B REV
	ALL DIMS AND TOLERANCES .XX:±N/A ARE INCHES UNLESS .XXX:±N/A OTHERWISE SPECIFIED ANGULAR:±N/A	C SIZE	
DO NOT SCALE DRAWING	ENGR: ERICK ESTRADA DWN: ERICK ESTRADA	SHT. 1 OF 1	



 DIMENSIONS IN INCHES
 THIRD ANGLE PROJECTION