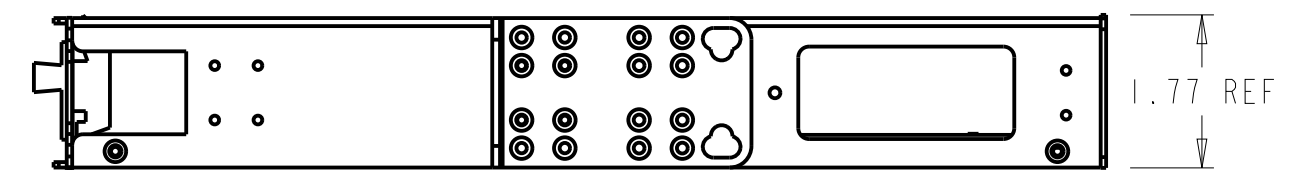
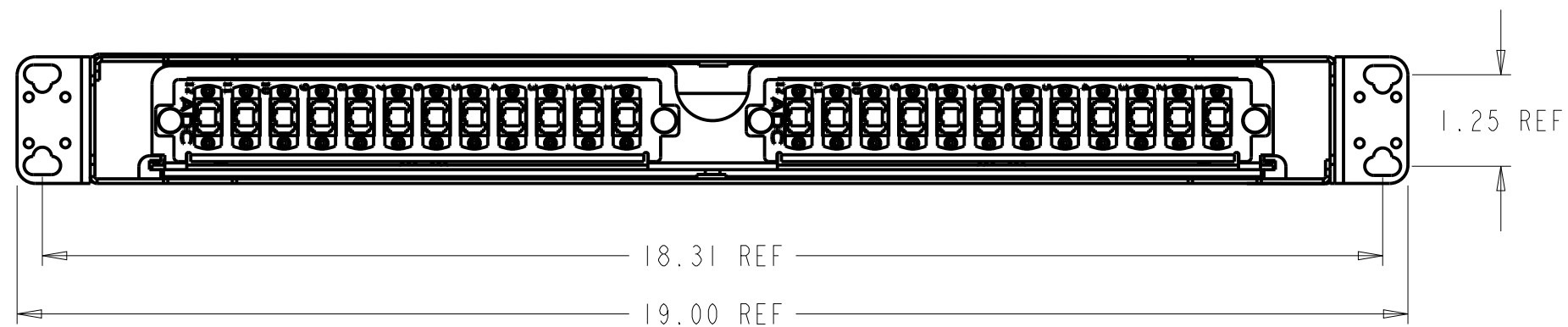
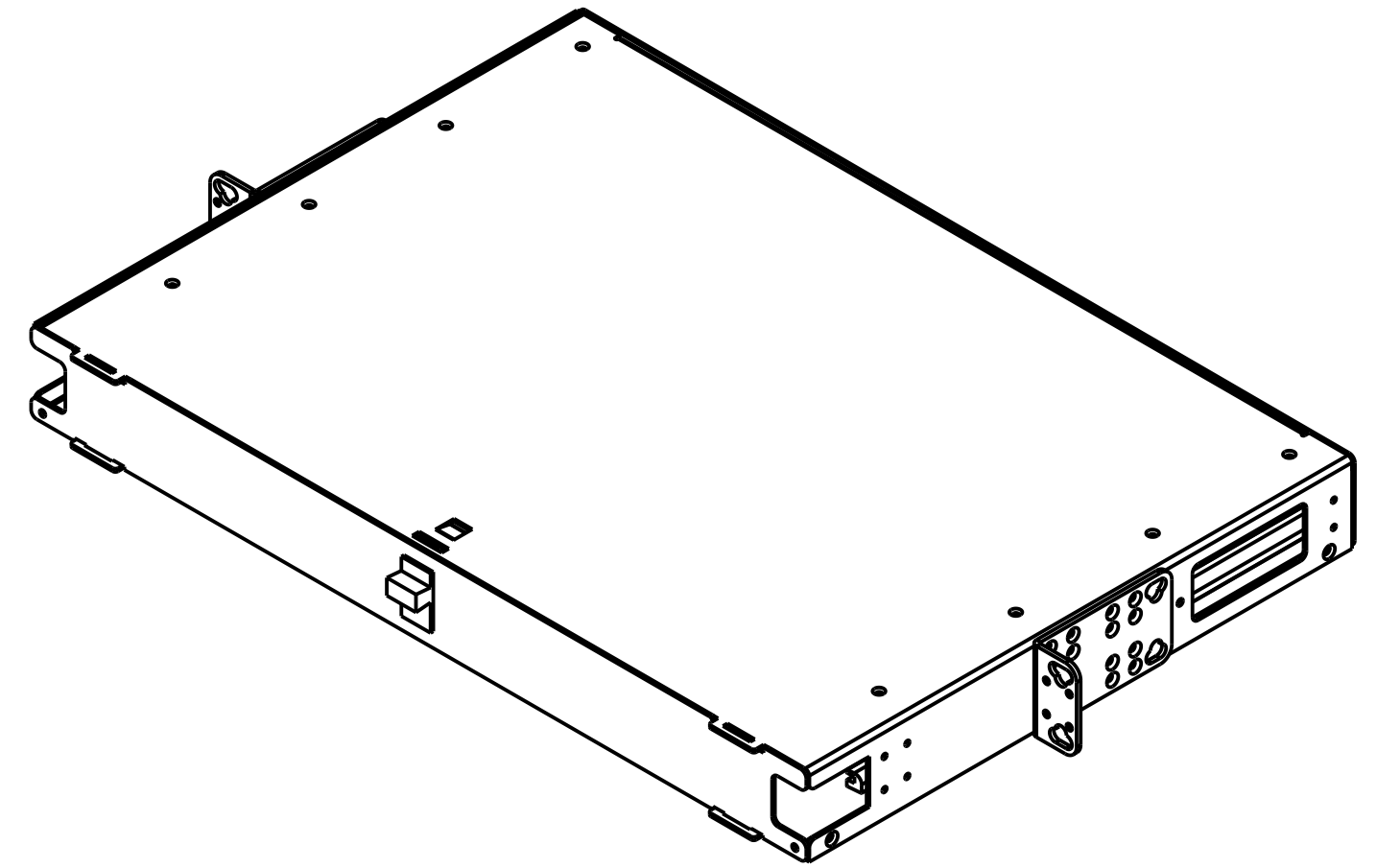
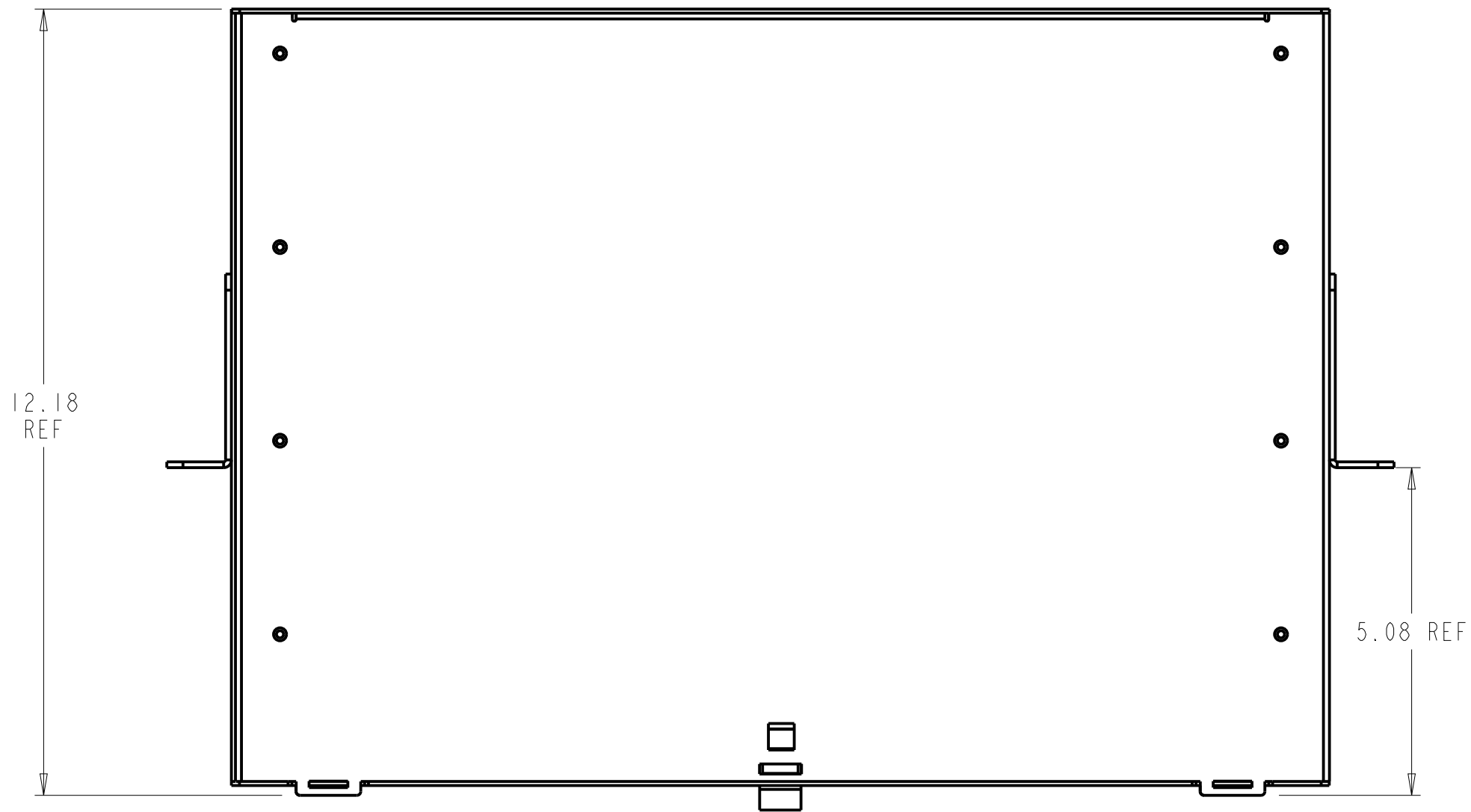


REV	MCO	DWN	DATE
A	20337758	DHV	12-MAR-13
B	8000019185	IAY	20-JAN-17



FRONT VIEW WITHOUT DOOR

NOTES:

1. LSX IRU 24 POS SHOWN FOR REFERENCE. COMBINATIONS OF CABLE, ADAPTER TYPES, AND LOADING CONFIGURATION AVAILABLE
2. CABLE CLAMP BRACKET IS INCLUDED WITH UNIT.

COMMSCOPE, INC.

© 2016 COMMSCOPE, INC. CONFIDENTIAL NOTICE: THESE DRAWINGS AND SPECIFICATIONS ARE THE PROPRIETARY PROPERTY OF COMMSCOPE, INC. AND MAY BE USED ONLY FOR THE SPECIFIC PURPOSE AUTHORIZED IN WRITING BY COMMSCOPE, INC.		TITLE LSX-IRU, INSTALLATION DRW	
ALL DIMS AND TOLERANCES ARE INCHES UNLESS OTHERWISE SPECIFIED	.XX:±.XX .XXX:±.XXX ANGULAR:±N/A	C SIZE	DRAWING NUMBER 300001772804
DO NOT SCALE DRAWING		ENGR: ADRIAN PONCE DWN: DANIEL E. HERRERA	B REV SHT. 1 OF 2

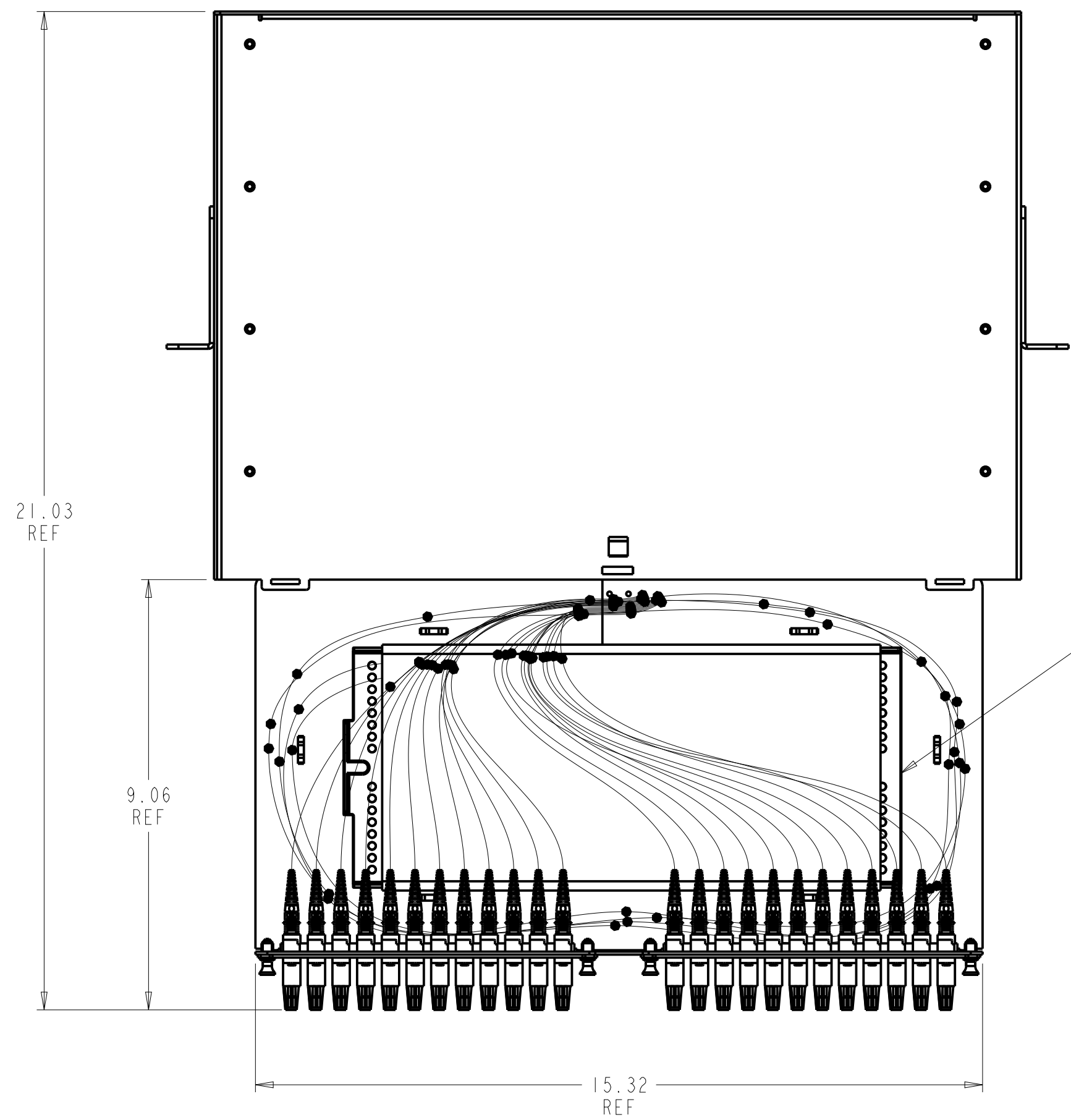
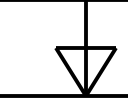
DIMENSIONS IN INCHES  
THIRD ANGLE PROJECTION

A

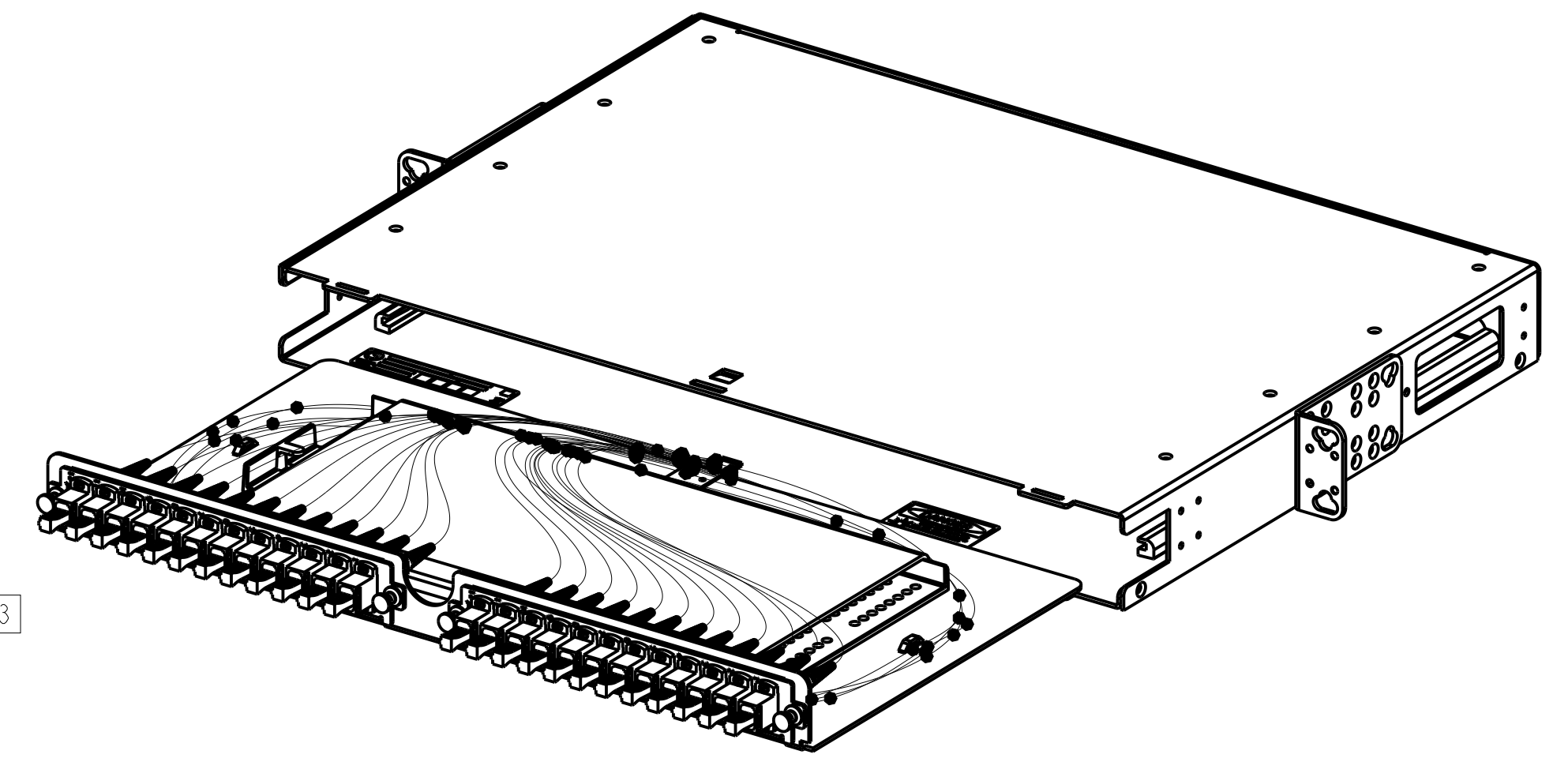
B

C

D



TOP VIEW OPENED DOOR



3 VELCRO TAPE IS INCLUDED AND ASSEMBLED WITH UNIT TO HOLD AND SECURE SPLICE TRAY

COMMSCOPE, INC.

<small>© 2016 COMMSCOPE, INC. CONFIDENTIAL          NOTICE: THESE DRAWINGS AND SPECIFICATIONS          ARE THE PROPRIETARY PROPERTY OF          COMMSCOPE, INC. AND MAY BE USED ONLY FOR THE          SPECIFIC PURPOSE AUTHORIZED IN WRITING BY          COMMSCOPE, INC.</small>		TITLE LSX-IRU, INSTALLATION DRW	
<small>ALL DIMS AND TOLERANCES          ARE INCHES UNLESS          OTHERWISE SPECIFIED</small>	<small>.XX:±xx          .XXX:±xxx          ANGULAR:±N/A</small>	C SIZE	DRAWING NUMBER 300001772804
DO NOT SCALE DRAWING		ENGR: ADRIAN PONCE DWN: DANIEL E. HERRERA	B REV SHT. 2 OF 2

DIMENSIONS IN INCHES  
THIRD ANGLE PROJECTION

A

B

C

