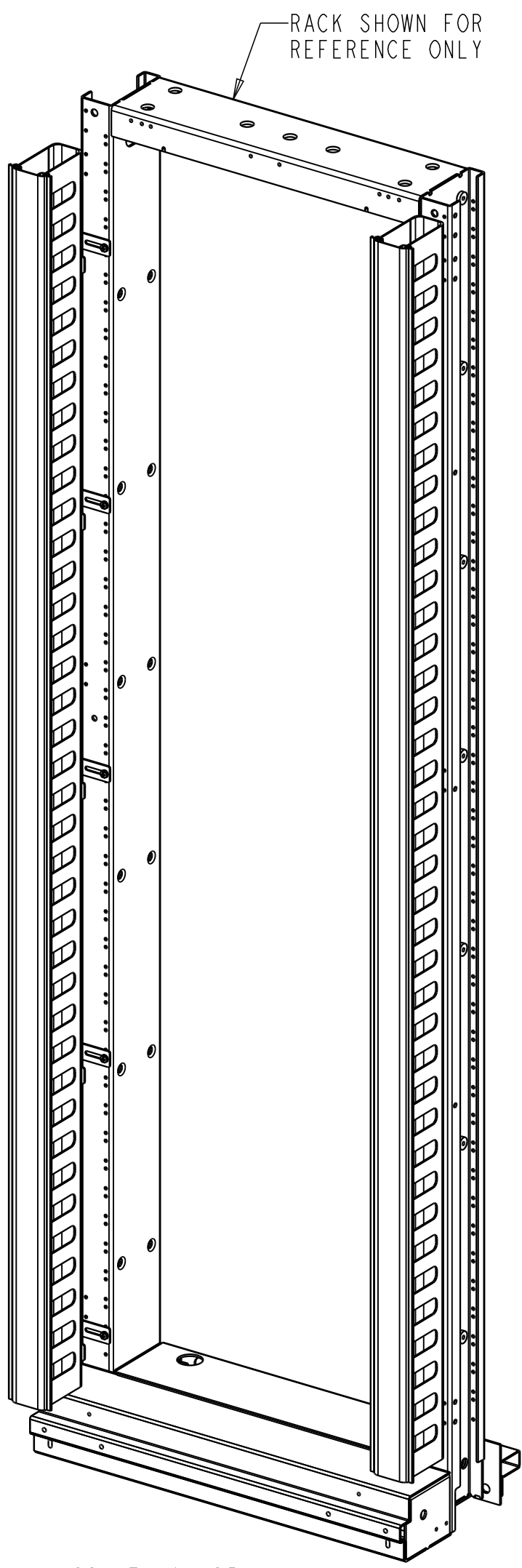
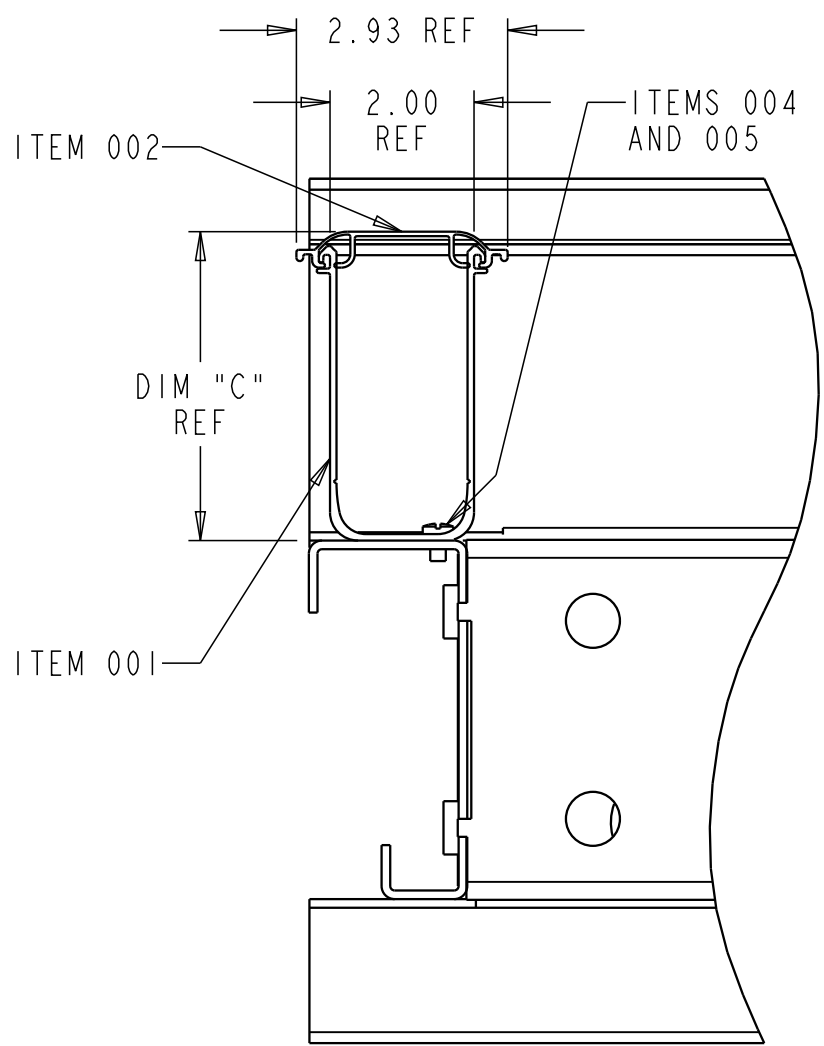


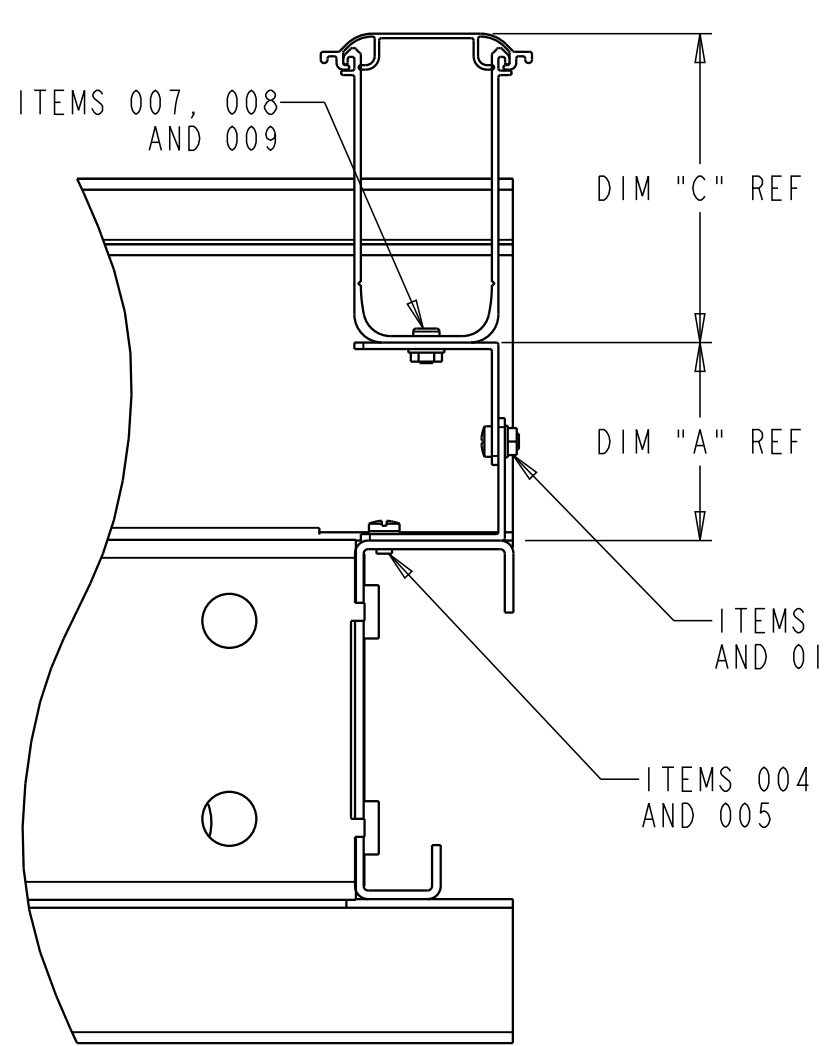
LIST OF PARTS IN KIT		
ITEM	DESCRIPTION	QTY
001	2" WIDE VERTICAL DUCT	1
002	2" WIDE HINGED COVER	1
003	MOUNTING BRACKET	10
004	#12-24 X .375 SCREWS	5
005	#12 FLAT WASHERS	10
006	#12-24 HEX NUTS	5
007	#10-24 X .375 SCREWS	5
008	#10 FLAT WASHERS	5
009	#10-24 HEX NUTS	5
010	GROMMET STRIPS	16
011	#12-24 X 1/2 SCREWS	5



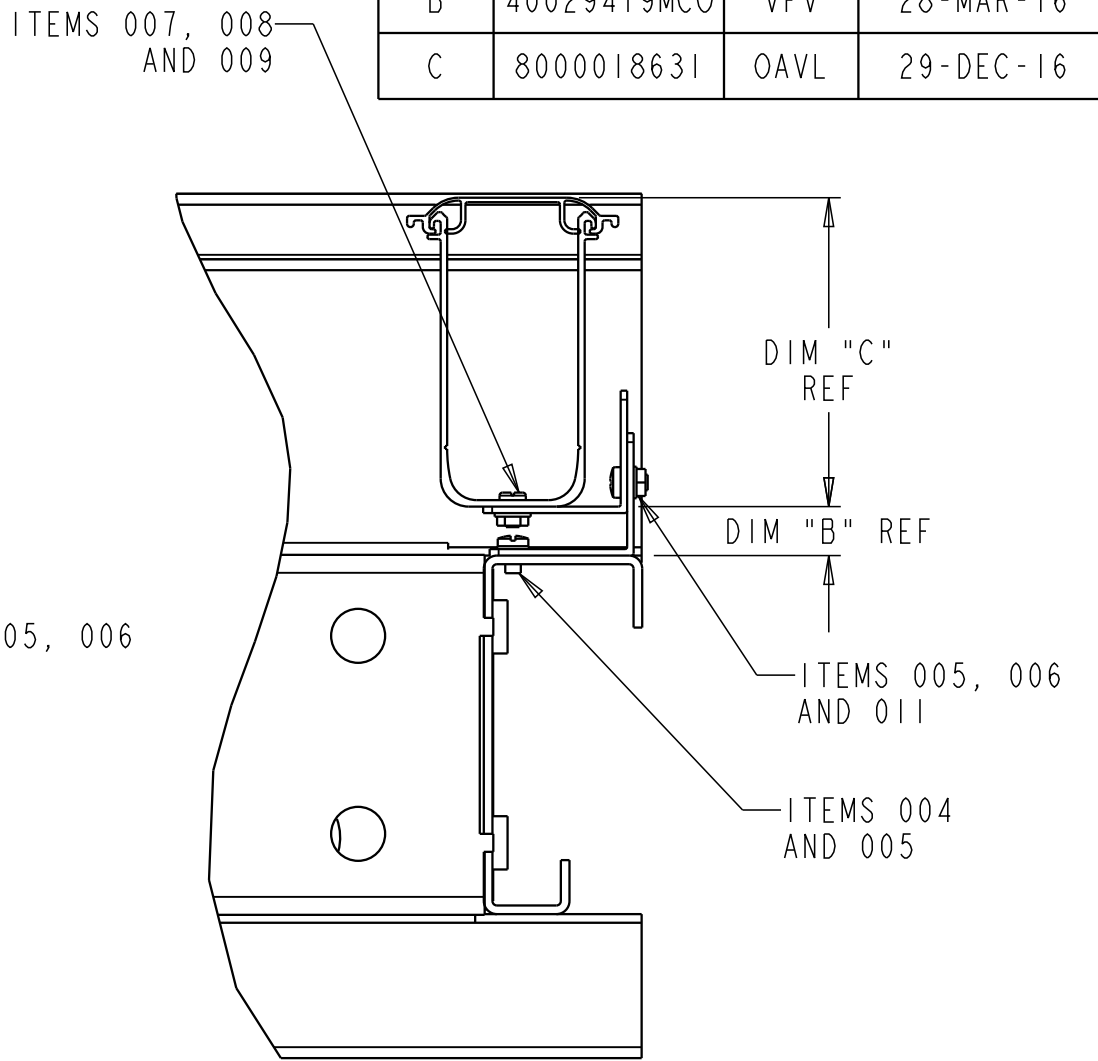
SCALE 0.125



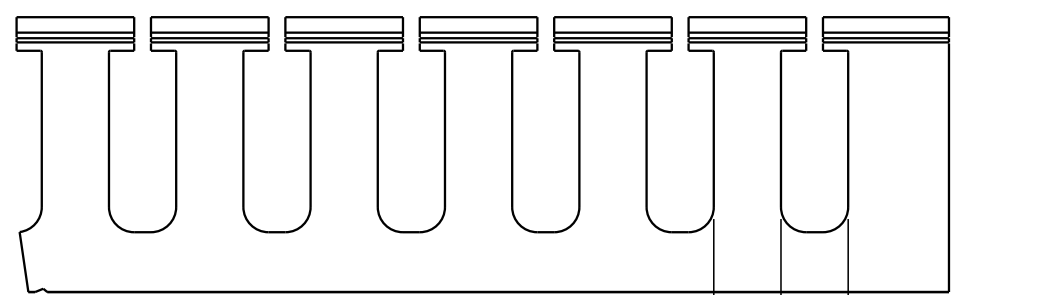
**MOUNTING OPTION 1**  
TOP VIEW  
VERTICAL DUCT MOUNTED  
DIRECTLY TO RACK  
ITEM 003 MOUNTING  
BRACKET NOT USED



**MOUNTING OPTION 2**  
TOP VIEW  
MOUNTING BRACKET  
CONFIGURATION STYLE 1



**MOUNTING OPTION 3**  
TOP VIEW  
MOUNTING BRACKET  
CONFIGURATION STYLE 2



**FIGURE 1**  
2" SPACING  
SCALE 0.350

**NOTES:**  
1. ONE COPY OF THIS INSTALLATION  
DRAWING INCLUDED WITH KIT.

REV.	MCO	DWN	DATE
B	40029419MCO	VFV	28-MAR-16
C	8000018631	OAVL	29-DEC-16

<b>FGS-KTW2-RL</b>	YELLOW	2"H X 4"W	1.80 - 2.75	.68 - 1.63	4.10	FIGURE 1
<b>CATALOG NUMBER</b>	<b>COLOR</b>	<b>DUCT SIZE</b>	<b>DIM "A"</b>	<b>DIM "B"</b>	<b>DIM "C"</b>	<b>SLOT SPACING</b>
© 2016 COMMSCOPE, INC. CONFIDENTIAL NOTICE: THESE DRAWINGS AND SPECIFICATIONS ARE THE PROPRIETARY PROPERTY OF COMMSCOPE, INC. AND MAY BE USED ONLY FOR THE SPECIFIC PURPOSE AUTHORIZED IN WRITING BY COMMSCOPE, INC.			TITLE		INSTALLATION DRAWING VERT FIBERGUIDE 2" WIDE DUCT W COVER KIT 79IN	
ALL DIMS AND TOLERANCES .XX:±.03 ARE INCHES UNLESS .XXX:±.020 OTHERWISE SPECIFIED ANGULAR:±1°			C SIZE	DRAWING NUMBER 300001784483		C REV
DO NOT SCALE DRAWING			ENGR: ERIK ESTRADA DWN: ERIK ESTRADA		SHT. 1 OF 1	

COMMSCOPE, INC.

DIMENSIONS IN INCHES  
THIRD ANGLE PROJECTION