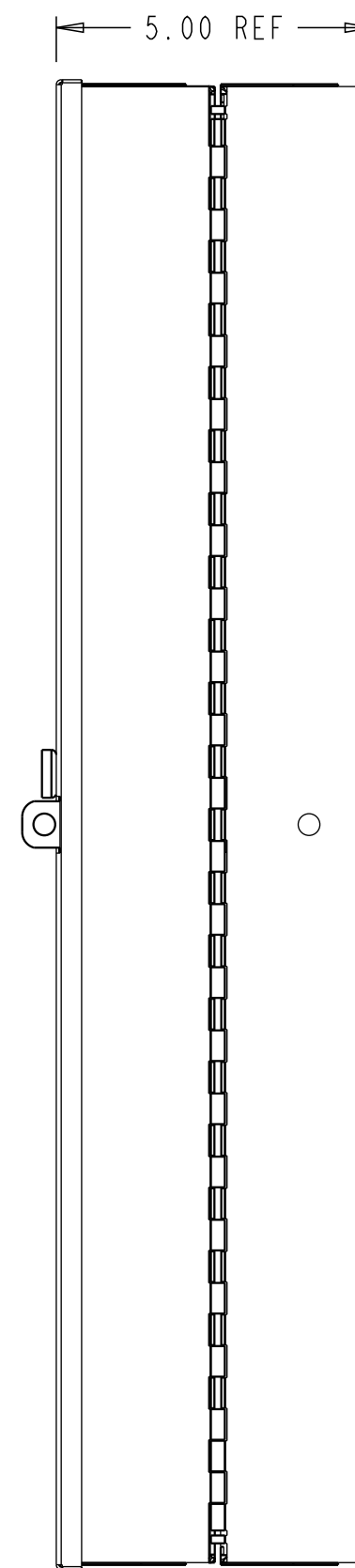
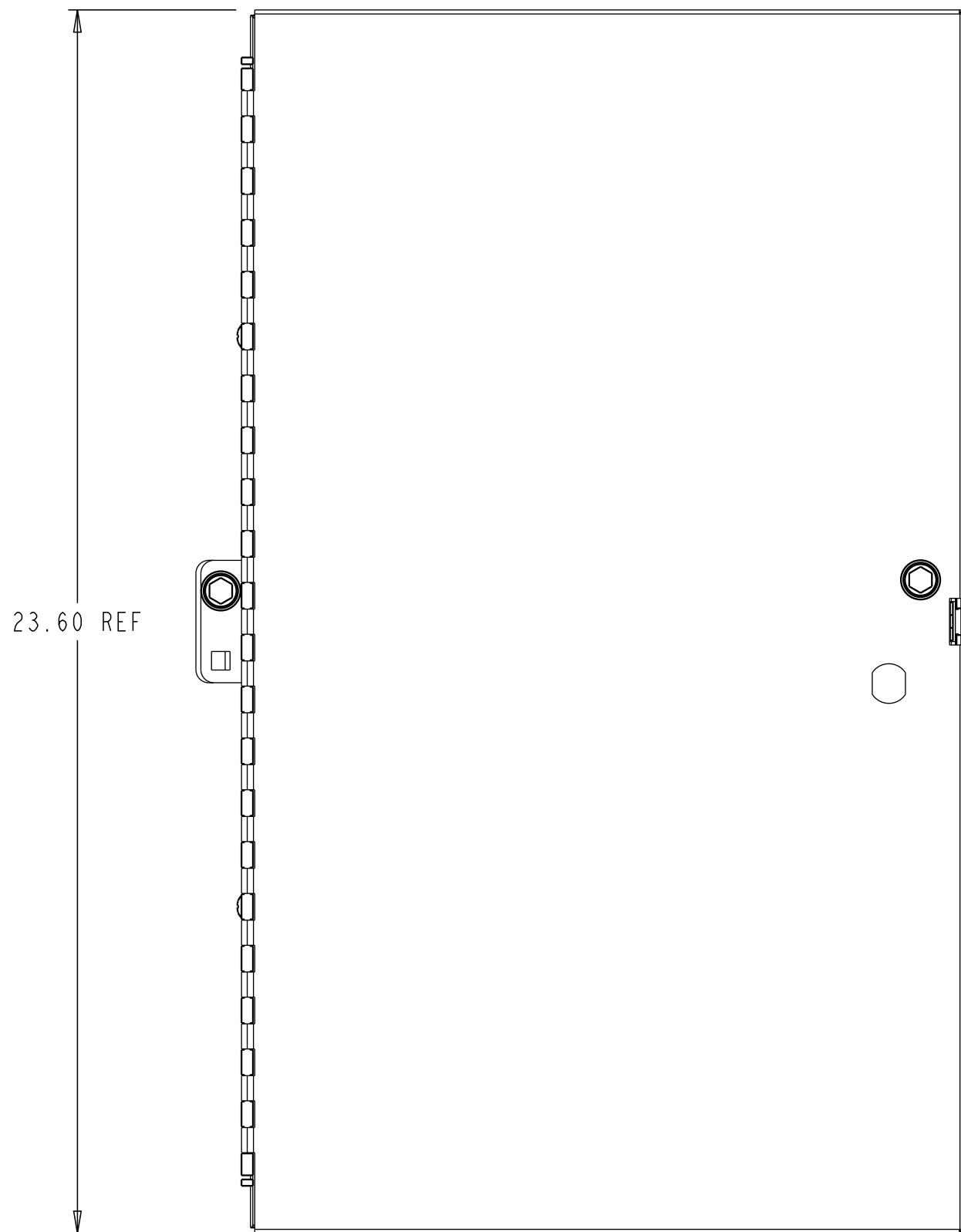
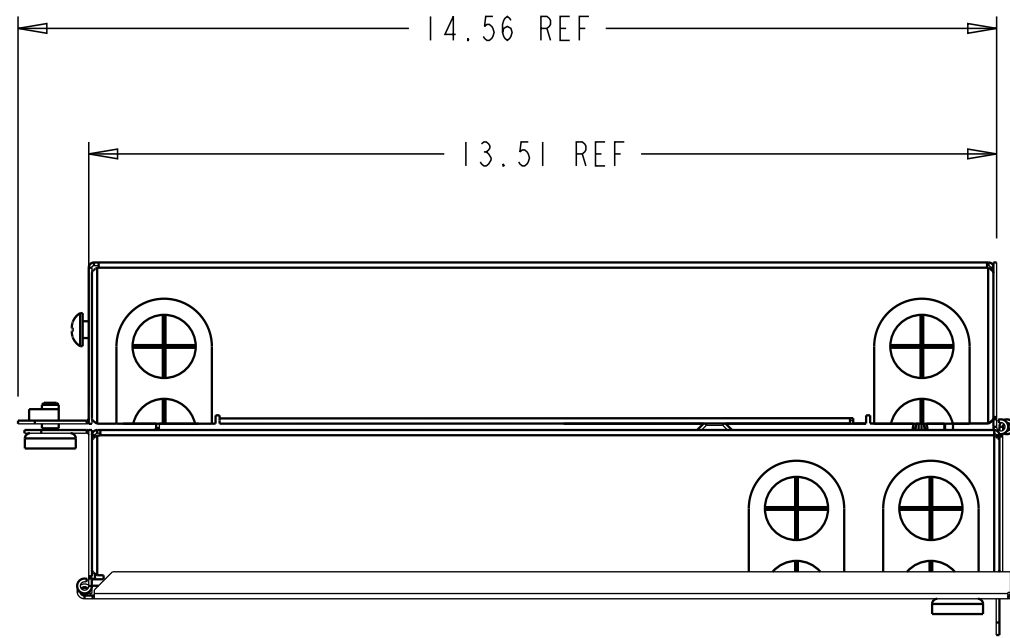


REV	MCO	DWN	DATE
C	40014376MCO	MAO	16-MAY-14
D	40032750MCO	JUM	10-AUG-16



COMMSCOPE, INC.

© 2016 COMMSCOPE, INC. CONFIDENTIAL
 NOTICE: THESE DRAWINGS AND SPECIFICATIONS
 ARE THE PROPRIETARY PROPERTY OF
 COMMSCOPE, INC. AND MAY BE USED ONLY FOR THE
 SPECIFIC PURPOSE AUTHORIZED IN WRITING BY
 COMMSCOPE, INC.

TITLE FDT-D INSTALLATION
 DRAWING

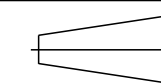
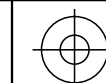
ALL DIMS AND TOLERANCES .XX:±N/A
 ARE INCHES UNLESS .XXX:±N/A
 OTHERWISE SPECIFIED ANGULAR:±N/A

C SIZE DRAWING NUMBER 300100102719 D REV

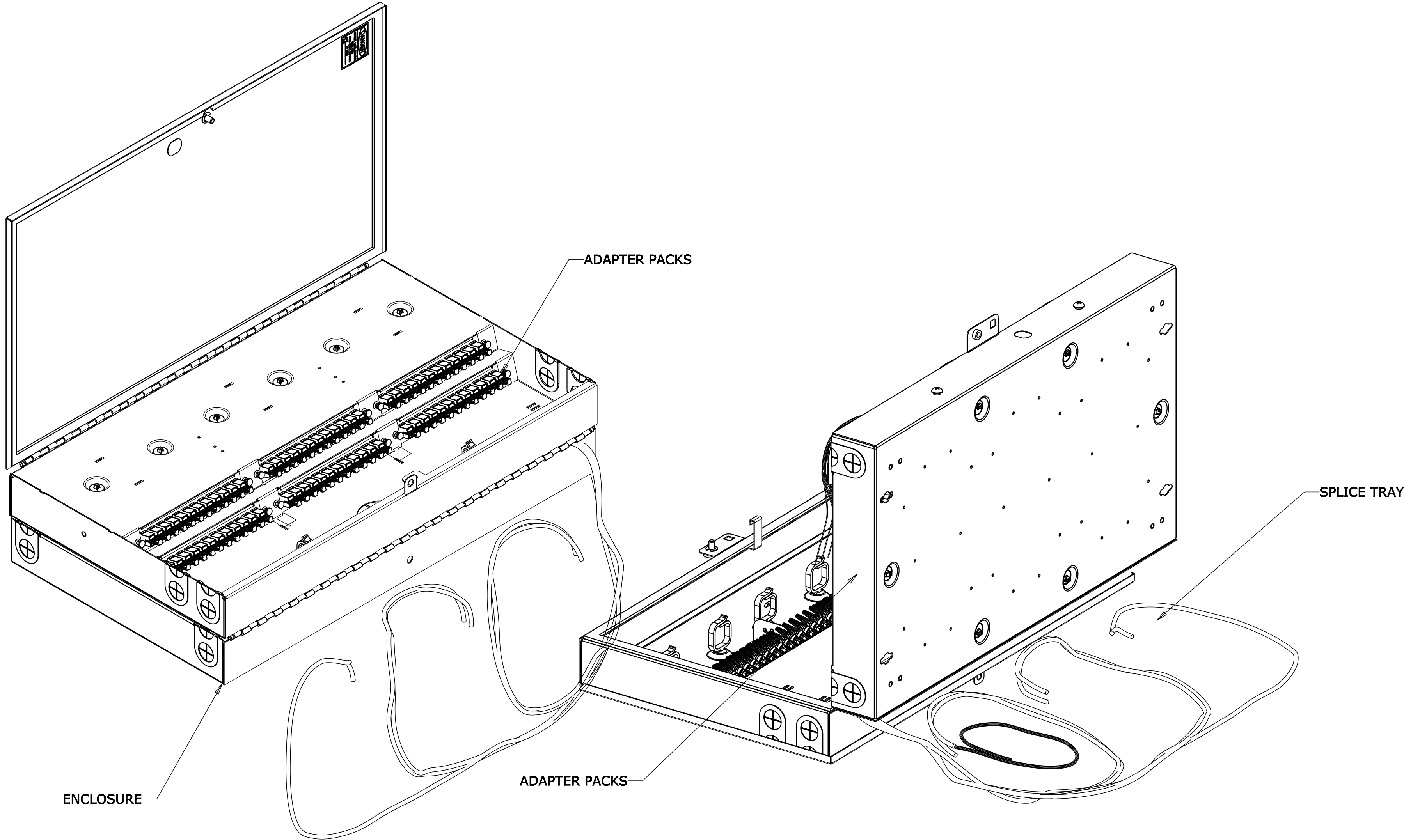
DO NOT SCALE DRAWING

ENGR: DANIEL HERRERA
 DWN: MARIO ALONSO

SHT. 1 OF 2



DIMENSIONS IN INCHES
 THIRD ANGLE PROJECTION



ENCLOSURE

ADAPTER PACKS

ADAPTER PACKS

SPLICE TRAY

COMMSCOPE, INC.

© 2016 COMMSCOPE, INC. CONFIDENTIAL
 NOTICE: THESE DRAWINGS AND SPECIFICATIONS
 ARE THE PROPRIETARY PROPERTY OF
 COMMSCOPE, INC. AND MAY BE USED ONLY FOR THE
 SPECIFIC PURPOSE AUTHORIZED IN WRITING BY
 COMMSCOPE, INC.

ALL DIMS AND TOLERANCES .XX:±N/A
 ARE INCHES UNLESS .XXX:±N/A
 OTHERWISE SPECIFIED ANGULAR:±N/A

DO NOT SCALE DRAWING

TITLE FDT-D INSTALLATION
 DRAWING

DRAWING NUMBER 300100102719

ENGR: DANIEL HERRERA
 DWN: MARIO ALONSO

SHT. 2 OF 2

DIMENSIONS IN INCHES
 THIRD ANGLE PROJECTION