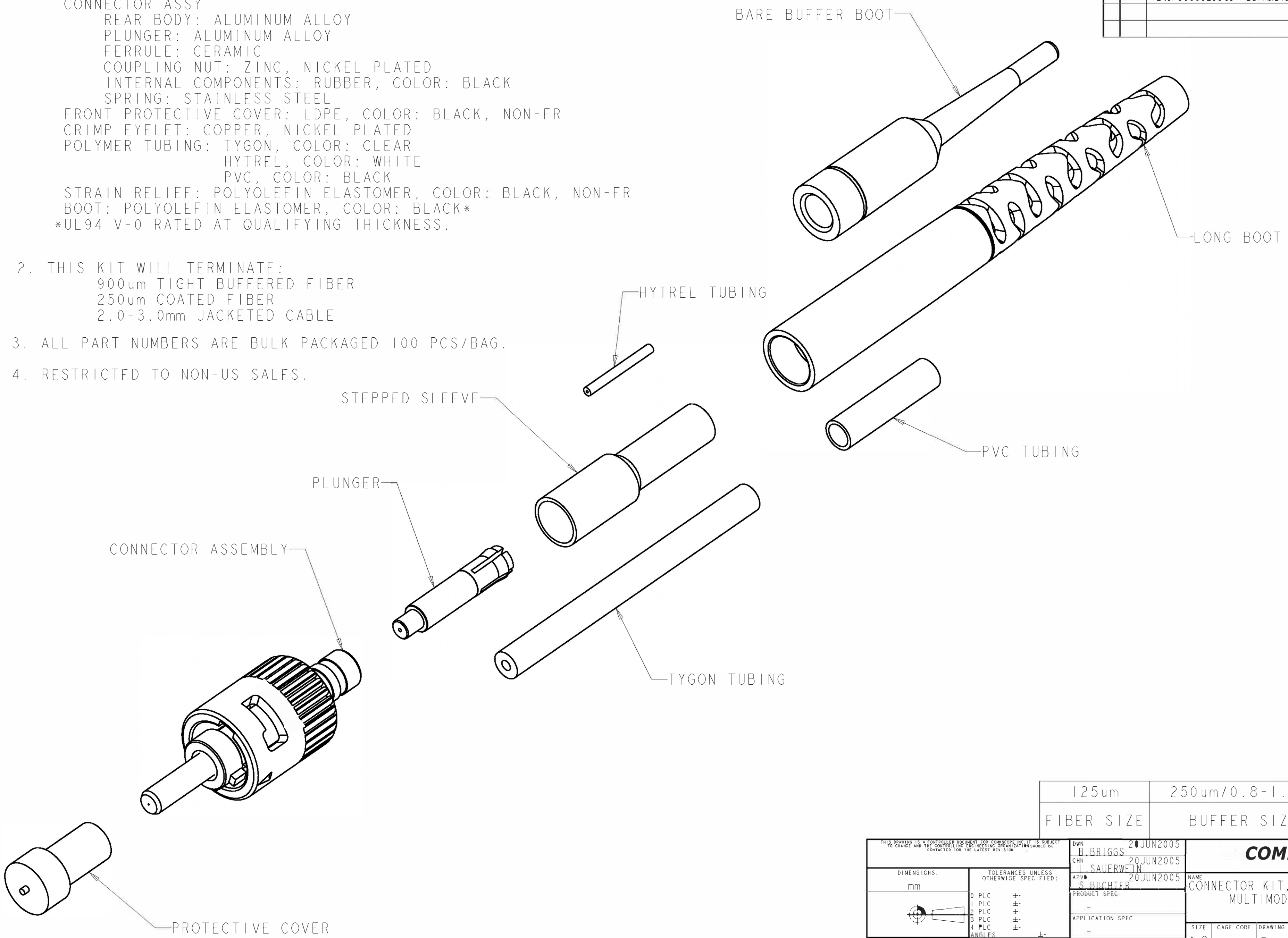


THIS DRAWING IS UNPUBLISHED. RELEASED FOR PUBLICATION 20
 BY COMMSCOPE INC. ALL RIGHTS RESERVED.

LOC	DIST	REVISIONS					
CE	00	P	LTR	DESCRIPTION	DATE	DW N	PWD
		A		RELEASE TO ACTIVE	20 JUN 2006	BB	LS
		B		ECN 8000019949-REBRANDING	13 FEB 2017	AL	LM

MATERIAL:
 CONNECTOR ASSY
 REAR BODY: ALUMINUM ALLOY
 PLUNGER: ALUMINUM ALLOY
 FERRULE: CERAMIC
 COUPLING NUT: ZINC, NICKEL PLATED
 INTERNAL COMPONENTS: RUBBER, COLOR: BLACK
 SPRING: STAINLESS STEEL
 FRONT PROTECTIVE COVER: LDPE, COLOR: BLACK, NON-FR
 CRIMP EYELET: COPPER, NICKEL PLATED
 POLYMER TUBING: TYGON, COLOR: CLEAR
 HYTREL, COLOR: WHITE
 PVC, COLOR: BLACK
 STRAIN RELIEF: POLYOLEFIN ELASTOMER, COLOR: BLACK, NON-FR
 BOOT: POLYOLEFIN ELASTOMER, COLOR: BLACK*
 *UL94 V-0 RATED AT QUALIFYING THICKNESS.

- THIS KIT WILL TERMINATE:
 900um TIGHT BUFFERED FIBER
 250um COATED FIBER
 2.0-3.0mm JACKETED CABLE
- ALL PART NUMBERS ARE BULK PACKAGED 100 PCS/BAG.
- RESTRICTED TO NON-US SALES.



125um	250um/0.8-1.0mm	5503902-1
FIBER SIZE	BUFFER SIZE	PART NUMBER

<small>THIS DRAWING IS A CONTROLLED DOCUMENT FOR COMMSCOPE INC. IT IS SUBJECT TO CHANGE AND THE CONTROLLING ENGINEER OR ORGANIZATION SHOULD BE CONTACTED FOR THE LATEST REVISION.</small>		DWN B. BRIGGS 20 JUN 2005 CHK L. SAUERWEIN 20 JUN 2005 APV S. BUCHTER 20 JUN 2005	COMMSCOPE, INC.	
DIMENSIONS: mm 		TOLERANCES UNLESS OTHERWISE SPECIFIED: 0 PLC ± 1 PLC ± 2 PLC ± 3 PLC ± 4 PLC ± ANGLES ± FINISH	NAME CONNECTOR KIT, XTC, 125um, CERAMIC, MULTIMODE, BULK PACKAGED	
MATERIAL		PRODUCT SPEC - APPLICATION SPEC - WEIGHT -	SIZE A2 CAGE CODE - DRAWING NO. C-5503902	RESTRICTED TO NUSC
RESTRICTED CUSTOMER DRAWING			SCALE 4:1	SHEET 1 OF 1 REV B