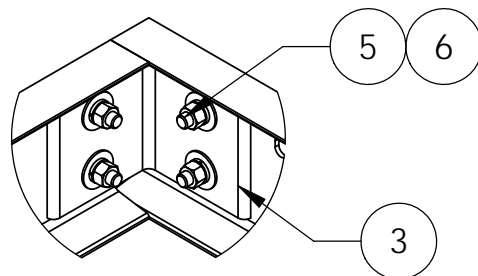
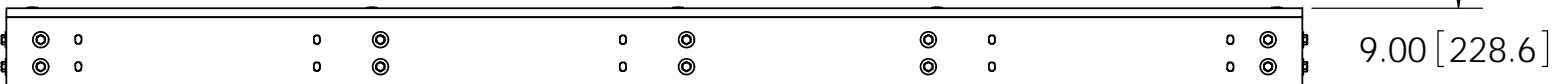
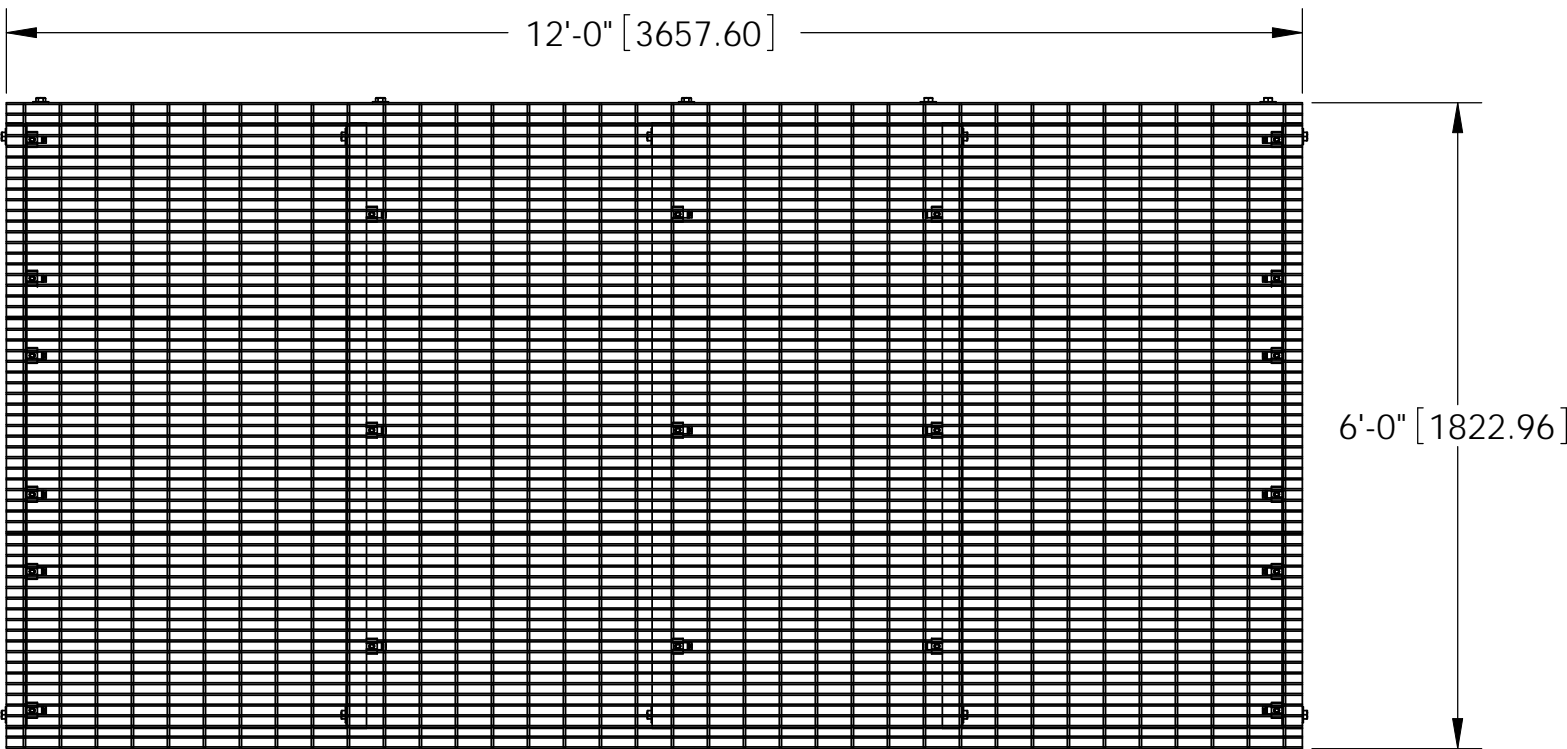
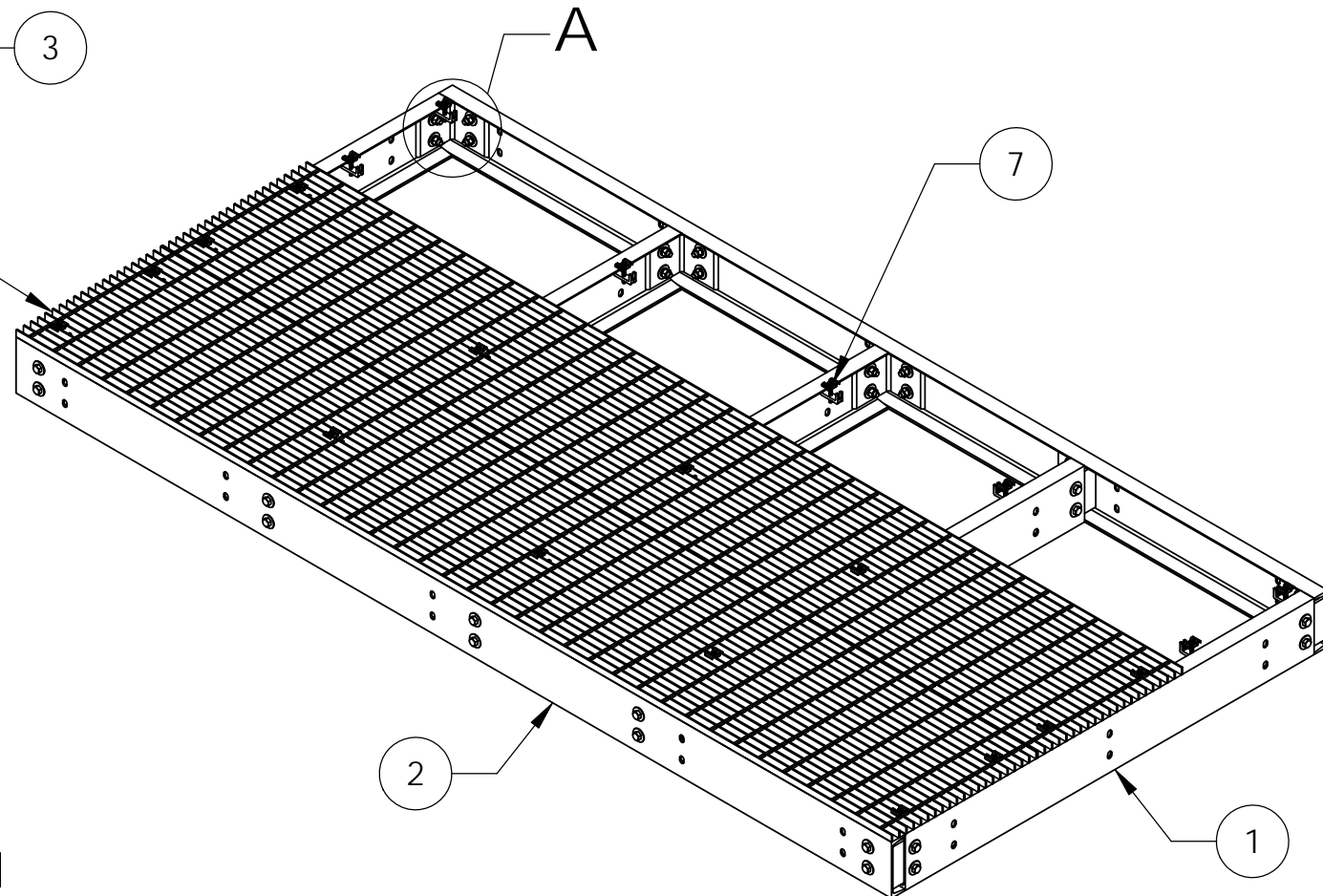


ITEM	PART NO.	DESCRIPTION	QTY.	WEIGHT
1	MTC88220610.01	6' CENTER CHANNEL	5	63.61 LBS
2	MTC7902712.01	12' SIDE CHANNEL	2	136.26 LBS
3	MTC7902.03	CHANNEL ADAPTER ANGLE	10	7.07 LBS
4	MTC7902712.03	24" X 144" BAR GRATING	3	172.46 LBS
5	GB-05205	5/8" X 2" GALV BOLT KIT	40	0.27 LBS
6	GWF-05	5/8" GALV FLAT WASHER	80	0.06 LBS
7	GCM03	GRATING CLIP	21	0.39 LBS

REVISIONS				
REV.	ZONE	DESCRIPTION	BY	DATE
A		INITIAL RELEASE	DRR	03/30/12



DETAIL A



- NOTES:
- ALL METRIC DIMENSIONS ARE IN BRACKETS.
  - UP TO 5% ADDITIONAL HARDWARE INCLUDED.
  - BAR GRATING ALIGNED ACROSS CENTER CHANNELS.

These drawings and specifications are the proprietary property of ANDREW CORPORATION and may be used only for the specific purpose authorized in writing by Andrew Corporation.  ALL DIMENSIONS ARE IN INCHES U.O.S. TOLERANCES UNLESS OTHERWISE SPECIFIED: .X = ± .12      ANGLES      ±2° .XX = ± .06      FRACTIONS      ±1/32 .XXX = ± .03  REMOVE BURRS AND BREAK EDGES .005 DO NOT SCALE THIS PRINT	DRAWN BY: DRR	SHEET: 1 of 1	PART NUMBER: EQ-P0612-B
	CHECKED BY: TP	SCALE: NTS	DESCRIPTION: 6' X 12' EQUIPMENT PLATFORM
	DATE: 03/30/12	MATERIAL: A36, A568	DRAWING TYPE: ASSEMBLY DRAWING
	REVISION: A	FINISH: GALV A123	WEIGHT: 1206.31 LBS