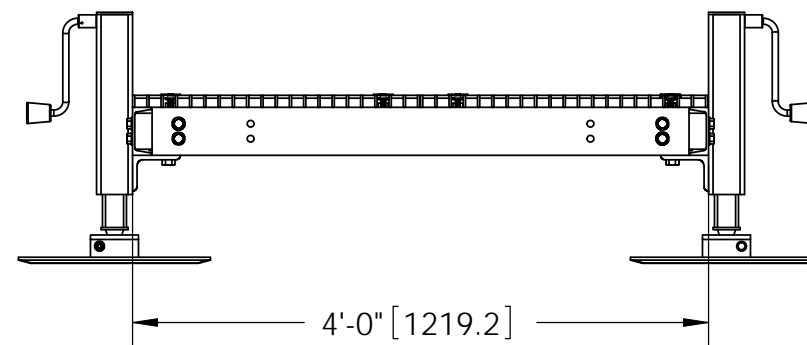
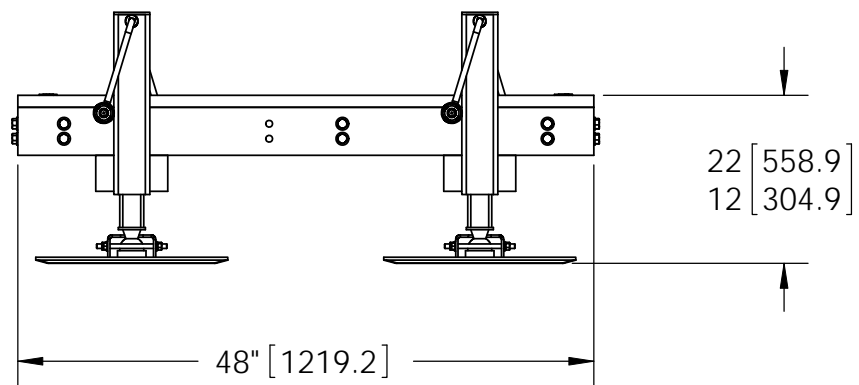
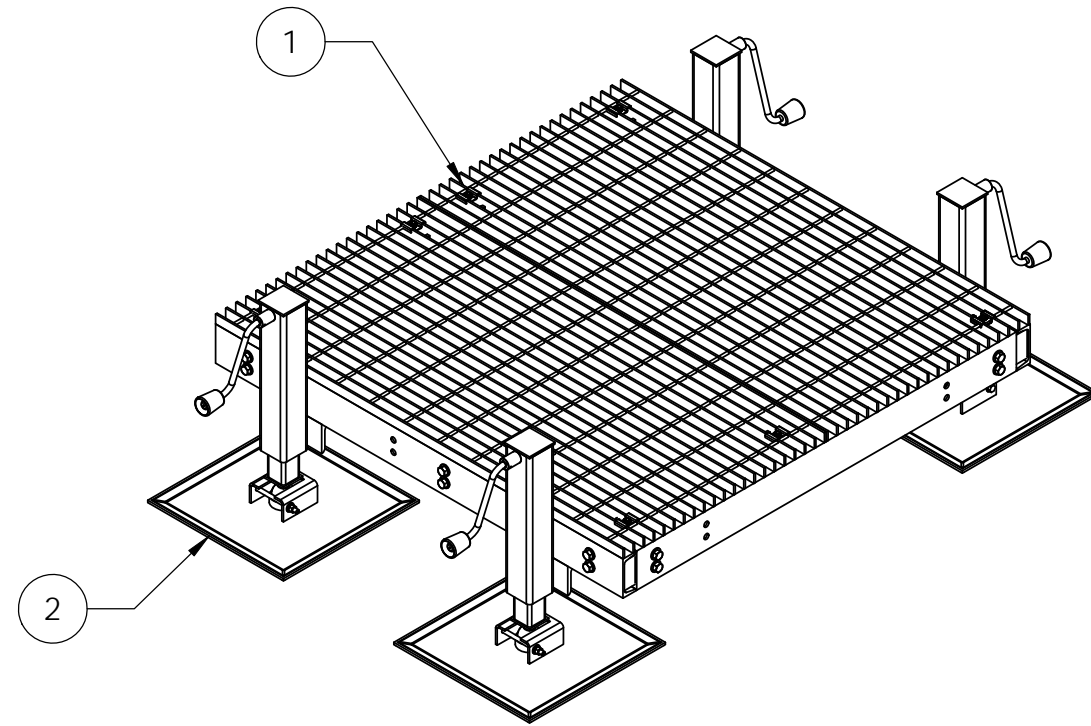
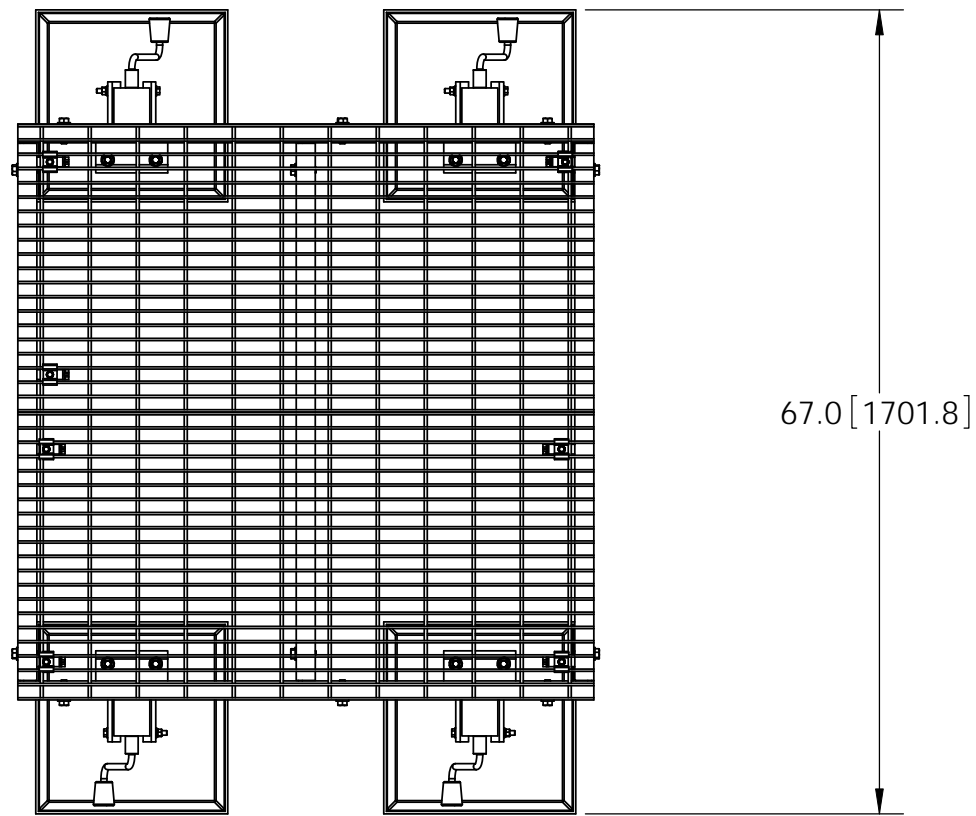



ITEM	PART NO.	DESCRIPTION	QTY.	WEIGHT
1	EQ-P4C0404-B	4' x 4' Platform Base	1	239.44 LBS
2	EQ-P-AL	ADJUSTABLE LEG KIT FOR EQ-P SERIES	4	85.12 LBS

REVISIONS				
REV.	ZONE	DESCRIPTION	BY	DATE
A		INITIAL RELEASE	MSM	09/23/10



NOTES:
1. ALL METRIC DIMENSIONS ARE IN BRACKETS.

<small>These drawings and specifications are the proprietary property of ANDREW CORPORATION and may be used only for the specific purpose authorized in writing by Andrew Corporation.</small> ALL DIMENSIONS ARE IN INCHES U.O.S. TOLERANCES UNLESS OTHERWISE SPECIFIED: .X = ± .12 ANGLES ±2° .XX = ± .06 FRACTIONS ±1/32 .XXX = ± .03 REMOVE BURRS AND BREAK EDGES .005 DO NOT SCALE THIS PRINT	<small>DRAWN BY:</small> MSM	<small>SHEET:</small> 1 of 1	<small>PART NUMBER:</small> EQ-P4C0404-AL
	<small>CHECKED BY:</small> TP	<small>SCALE:</small> NTS	<small>DESCRIPTION:</small> 4' x 4' Equipment Platform w/ 4 Adj. Legs
	<small>DATE:</small> 09/23/10	<small>MATERIAL:</small> A36, A568	<small>DRAWING TYPE:</small> ASSEMBLY DRAWING
	<small>REVISION:</small> A	<small>FINISH:</small> GALV A123 <small>WEIGHT:</small> 579.94 LBS	 WESTCHESTER, IL. 60154 U.S.A.