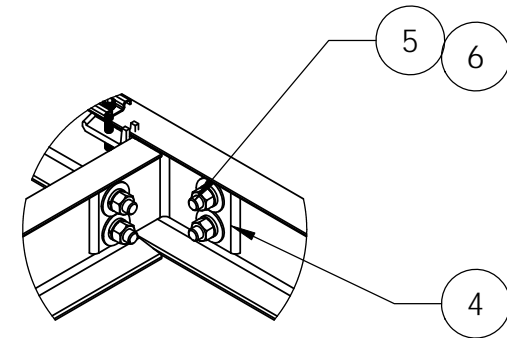
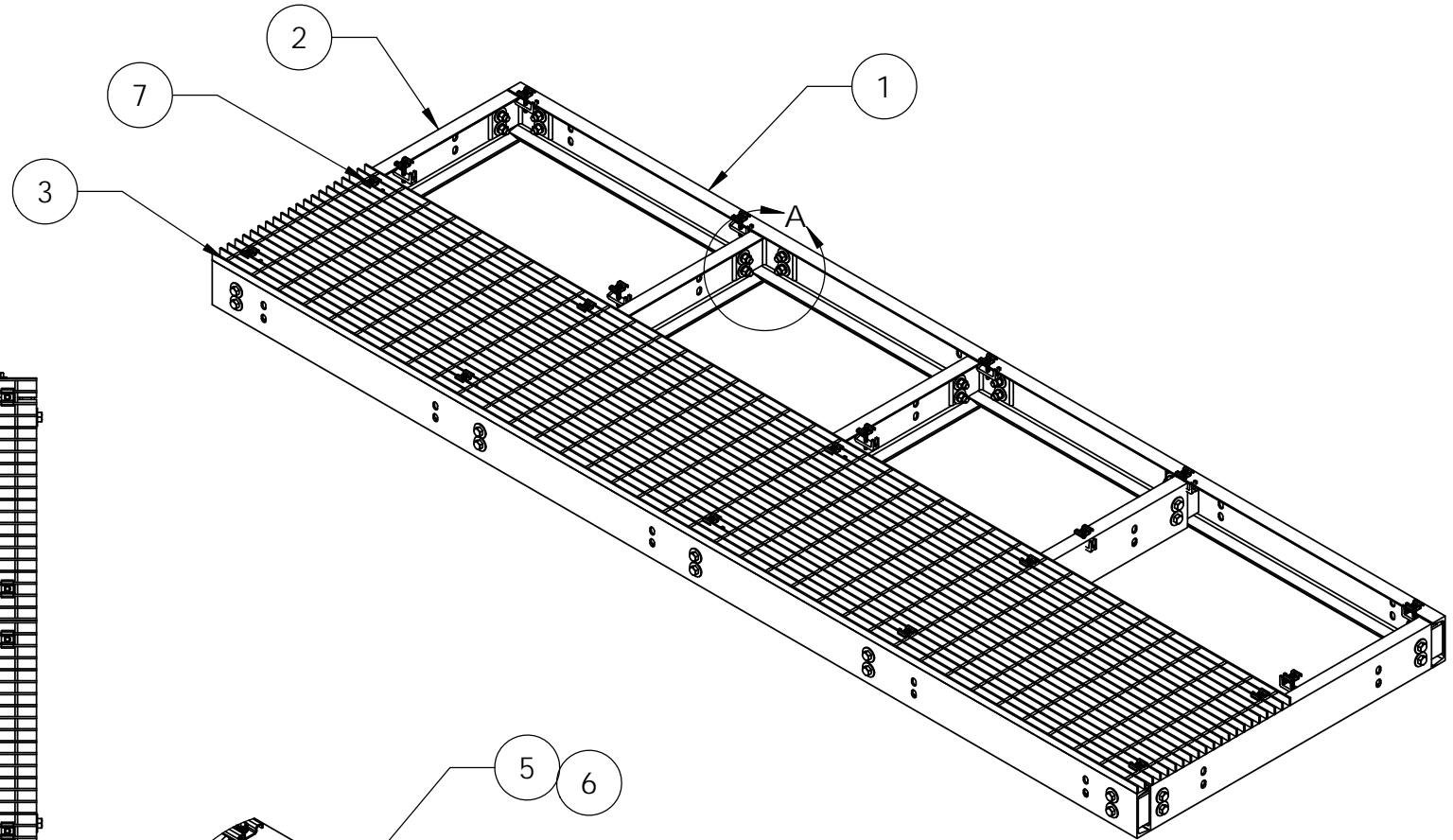
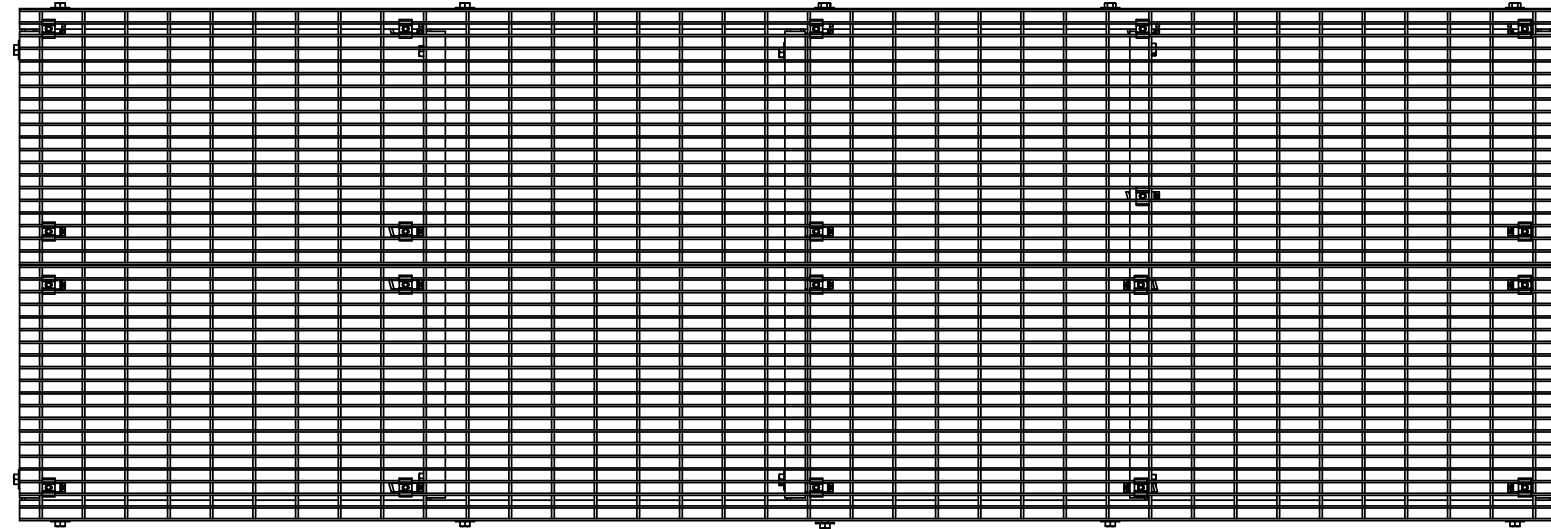
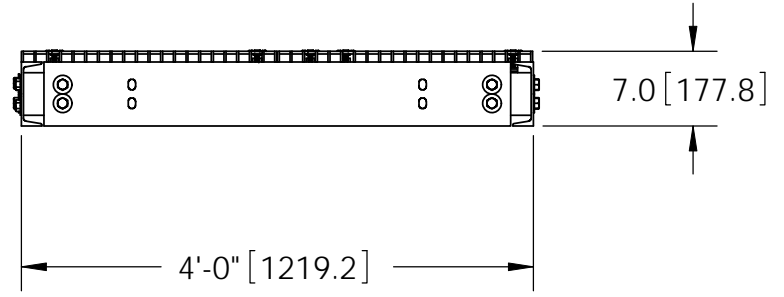
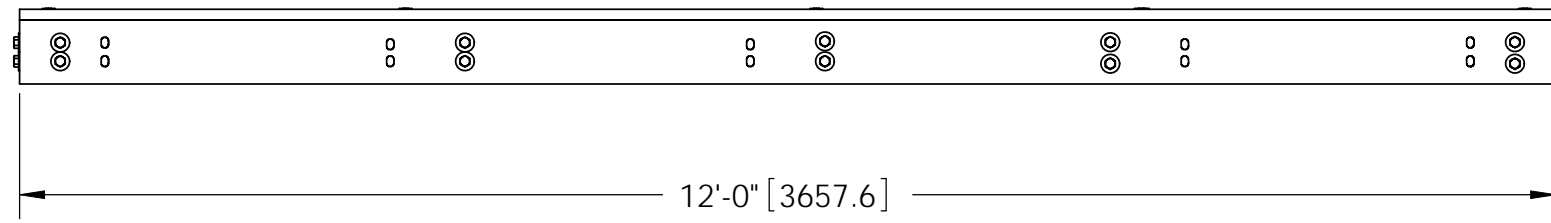


ITEM	PART NO.	DESCRIPTION	QTY.	WEIGHT
1	EQP6C041201	12' Platform Channel Side	2	97.15 LBS
2	EQP6C040801	4' Platform Channel Center	5	29.80 LBS
3	MTC9683.29	24" X 144" BAR GRATING	2	171.26 LBS
4	MTCP.01	6" Channel Adapter Angle	10	3.18 LBS
5	GB-05205	5/8" X 2" GALV BOLT KIT	40	0.27 LBS
6	GWF-05	5/8" GALV FLAT WASHER	80	0.03 LBS
7	GCM03	GRATING CLIP	20	0.39 LBS


REVISIONS				
REV.	ZONE	DESCRIPTION	BY	DATE
A		INITIAL RELEASE	DRR	03/17/11
B		REVISED WEIGHT	DRR	12/04/12



DETAIL A
SCALE 1 : 9



- NOTES:
- ALL METRIC DIMENSIONS ARE IN BRACKETS.
 - STAMP PART IDENTIFICATION NUMBER.
 - GRATING REMOVED FOR CLARITY.

<small>These drawings and specifications are the proprietary property of ANDREW CORPORATION and may be used only for the specific purpose authorized in writing by Andrew Corporation.</small> ALL DIMENSIONS ARE IN INCHES U.O.S. TOLERANCES UNLESS OTHERWISE SPECIFIED: .X = ± .12 ANGLES ±2° .XX = ± .06 FRACTIONS ±1/32 .XXX = ± .031 REMOVE BURRS AND BREAK EDGES .005 DO NOT SCALE THIS PRINT	DRAWN BY: DRR	SHEET: 1 of 1	PART NUMBER: EQ-P6C0412-B
	CHECKED BY: TP	SCALE: NTS	DESCRIPTION: 4' X 12' Equipment Platform
	DATE: 03/17/11	MATERIAL: A36, A568	DRAWING TYPE: ASSEMBLY DRAWING
	REVISION: B	FINISH: GALV A123	 WESTCHESTER, IL. 60154 U.S.A.
	WEIGHT: 744.89 LBS		