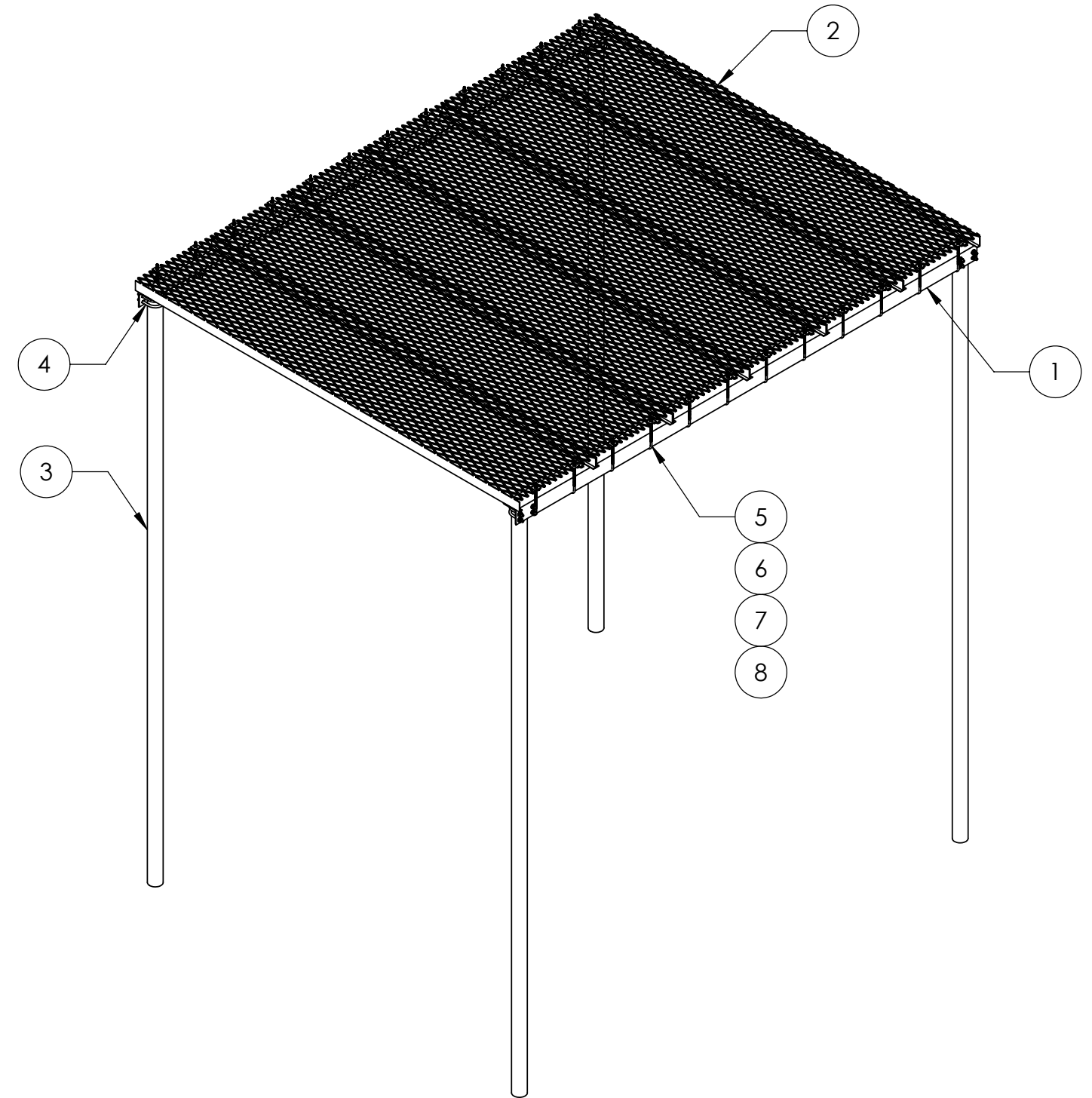
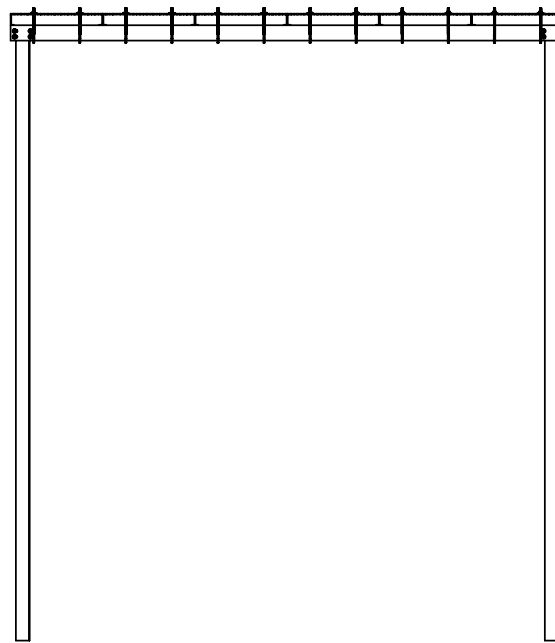
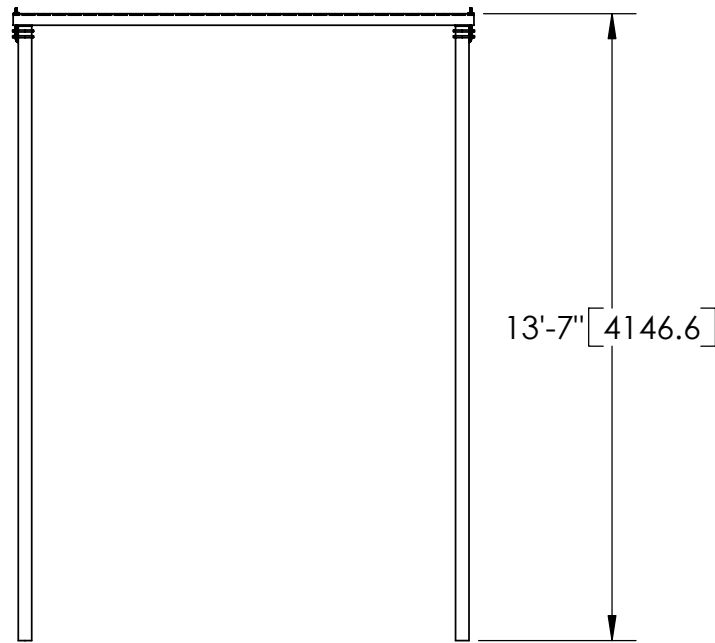
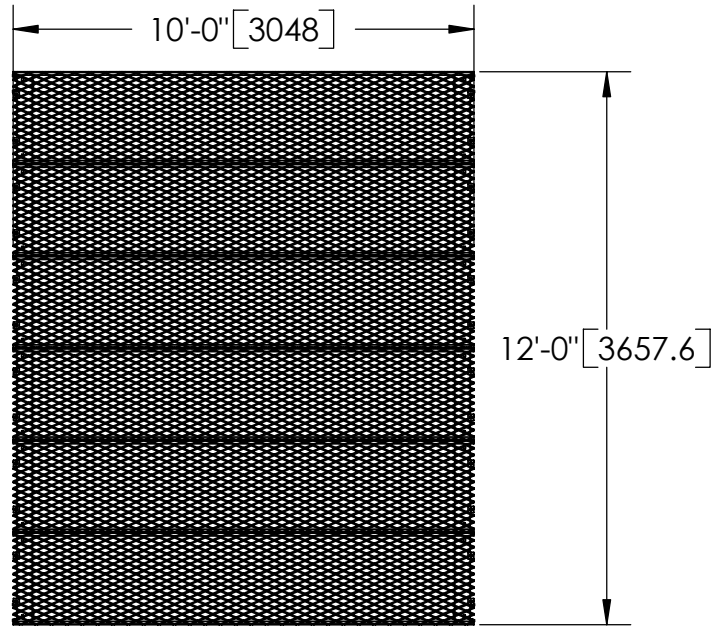


ITEM	PART NO.	DESCRIPTION	QTY.	WEIGHT
1	MTC9662.01	12' ICE SHIELD SUPPORT BRACKET	2	78.06 LBS
2	WB-CY210	SAFETY GRATING 24" X 10'	6	111.00 LBS
3	MF-130	Ø3.5" O.D. X 13'-4" DIRECT BURIAL PIPE COLUMN	4	67.23 LBS
4	GUB-4355	1/2" X 3-5/8" X 5" GALV U-BOLT	8	0.57 LBS
5	GJB0380	8" GALV J-BOLT KIT	24	0.31 LBS
6	MT-387	SQUARE WASHER, 1-1/2" X 1-5/8" W/ 7/16" HOLE	24	0.12 LBS
7	GWL-03	3/8" GALV LOCK WASHER	24	0.00 LBS
8	GN-03	3/8" GALV HEX NUT	24	0.01 LBS

REVISIONS				
REV.	ZONE	DESCRIPTION	BY	DATE
A		INITIAL RELEASE	ACG	03/30/07



NOTES:  
1. ALL METRIC DIMENSIONS ARE IN BRACKETS.

<small>These drawings and specifications are the proprietary property of ANDREW CORPORATION and may be used only for the specific purpose authorized in writing by Andrew Corporation.</small> ALL DIMENSIONS ARE IN INCHES U.O.S. TOLERANCES UNLESS OTHERWISE SPECIFIED: .X = ± .06      ANGLES      ±2° .XX = ± .03      FRACTIONS      ±1/32 .XXX = ± .010 REMOVE BURRS AND BREAK EDGES .005 DO NOT SCALE THIS PRINT	DRAWN BY: ACG	SHEET: 1 of 1	PART NUMBER: IC-1012-B
	CHECKED BY: TP	SCALE: NTS	DESCRIPTION: 10' X 12' ICE CANOPY
	DATE: 03/30/07	MATERIAL: A36, A53, A568	DRAWING TYPE: ASSEMBLY DRAWING
	REVISION: A	FINISH: GALV A123	WEIGHT: 1108.90 LBS