

4

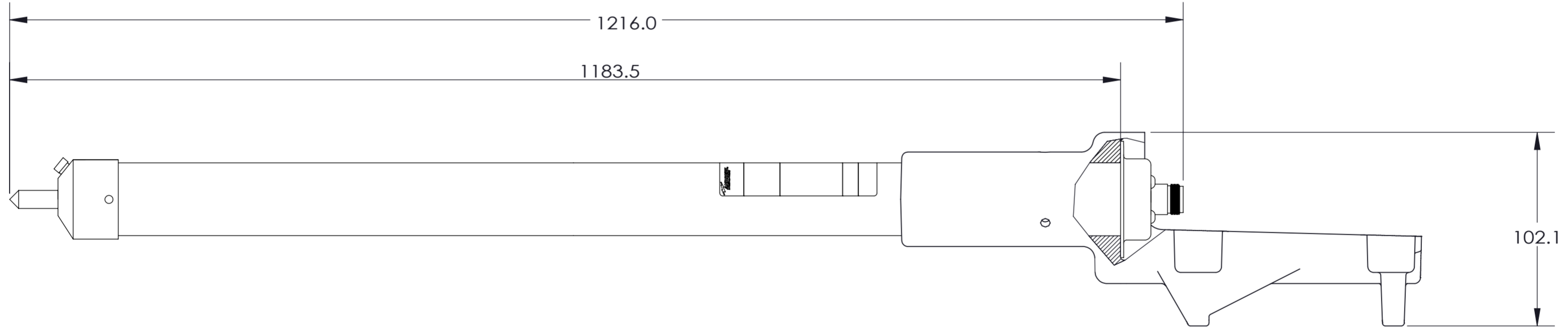
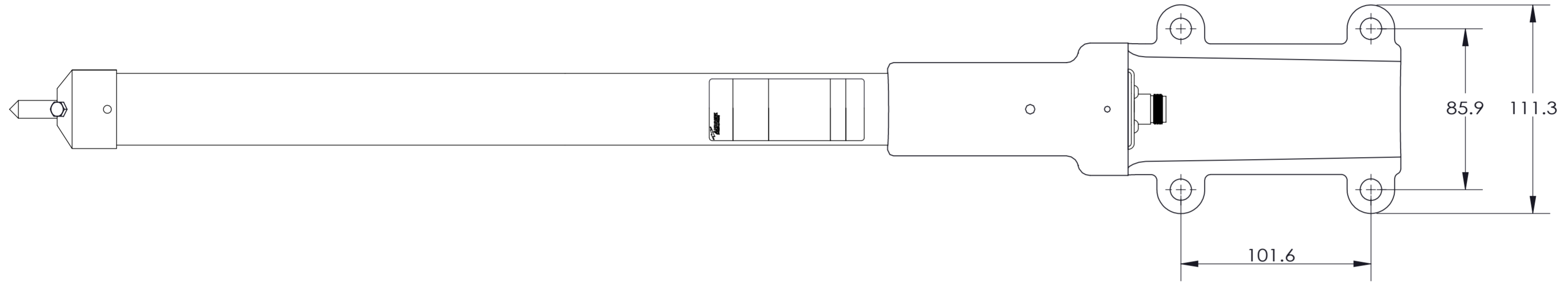
3

2


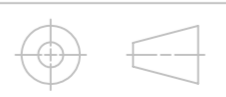
1

NOTES:

REVISIONS			
REV	DESCRIPTION	DATE	APPROVED



DB586-Y

MATERIAL	DENSITY:	UNLESS OTHERWISE SPECIFIED DIMENSIONS ARE IN MILLIMETERS INTERPRET PER ISO STANDARDS HANDBOOK TECHNICAL DRAWINGS, VOLUMES 1 & 2, THIRD EDITION (2002)	 WESTCHESTER, IL. 60154 U.S.A.	
	MASS:			
FINISH	TOLERANCES		THIRD ANGLE PROJECTION	
	0 PLACE	X ± 3		
	1 PLACE	.X ± 1.0		
	2 PLACE	.XX ± 0.10		
ANGLES ± 0.5		DRAWN BY	SIZE	CAGE CODE
ALL SURFACES ✓		ECN	A2	84147
NOTICE: These drawings and specifications are the proprietary property of ANDREW CORPORATION and may be used only for the specific purpose authorized in writing by Andrew.		AUTH. GROUP	DOCUMENT NO. DB586-Y-L	
		MODEL	DRAWING	
		VERSION	STATUS	REVISION
		VERSION	STATUS	REVISION
				SHEET 1 OF 1

4

3

2

1

THIRD ANGLE PROJECTION