

8

7

6

5

4

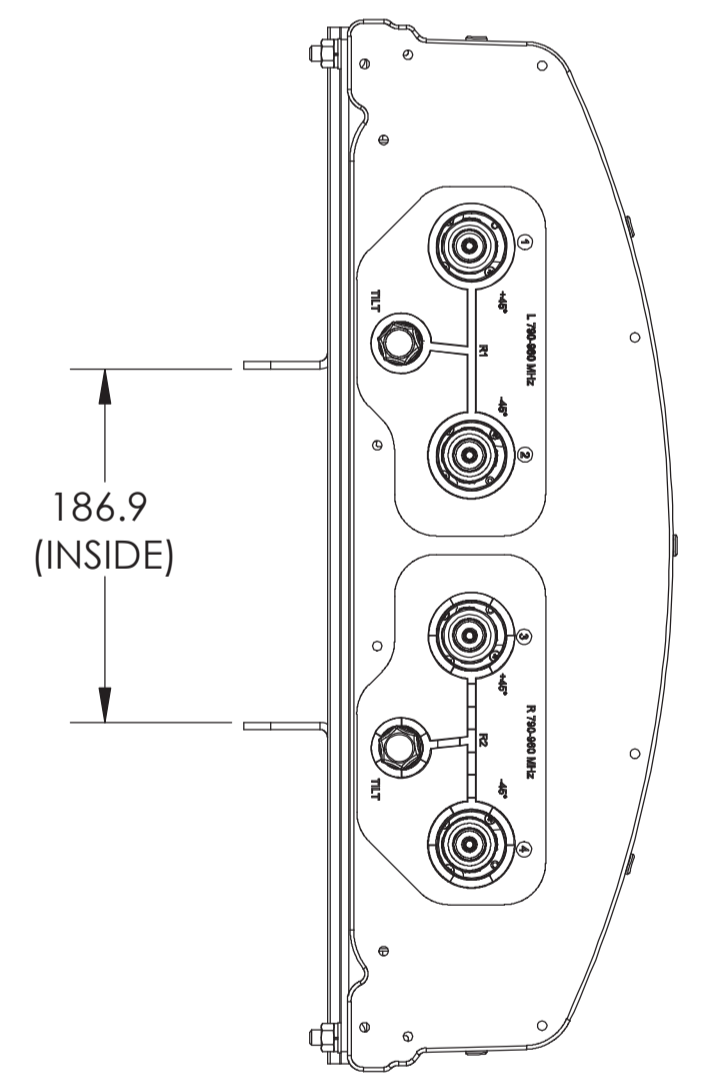
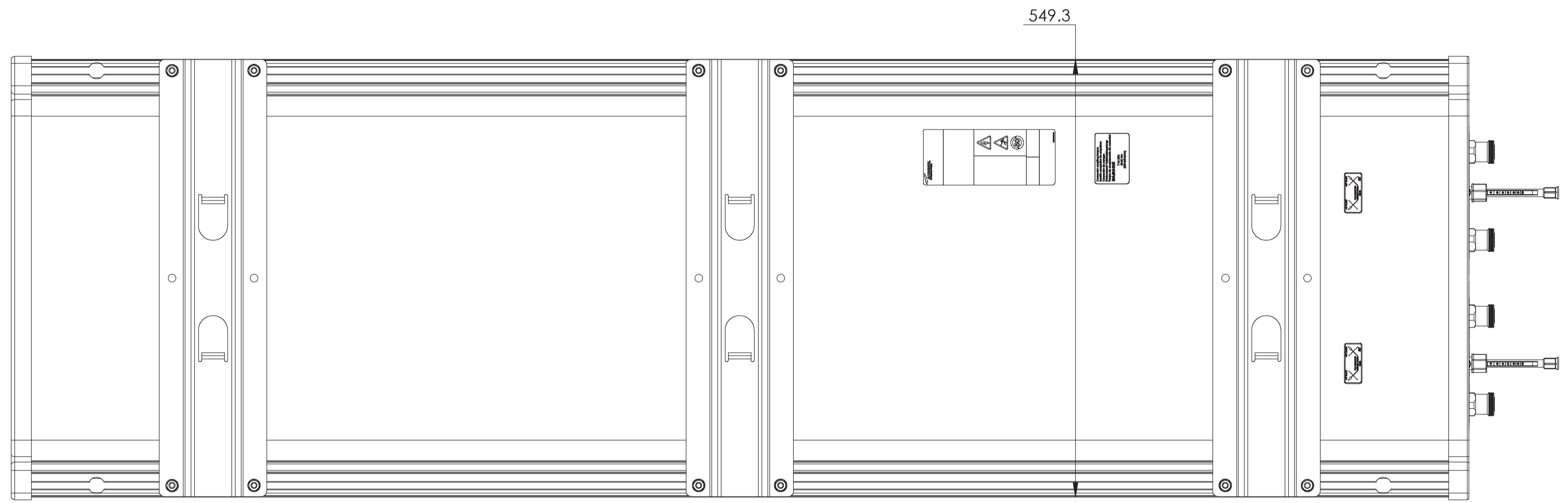
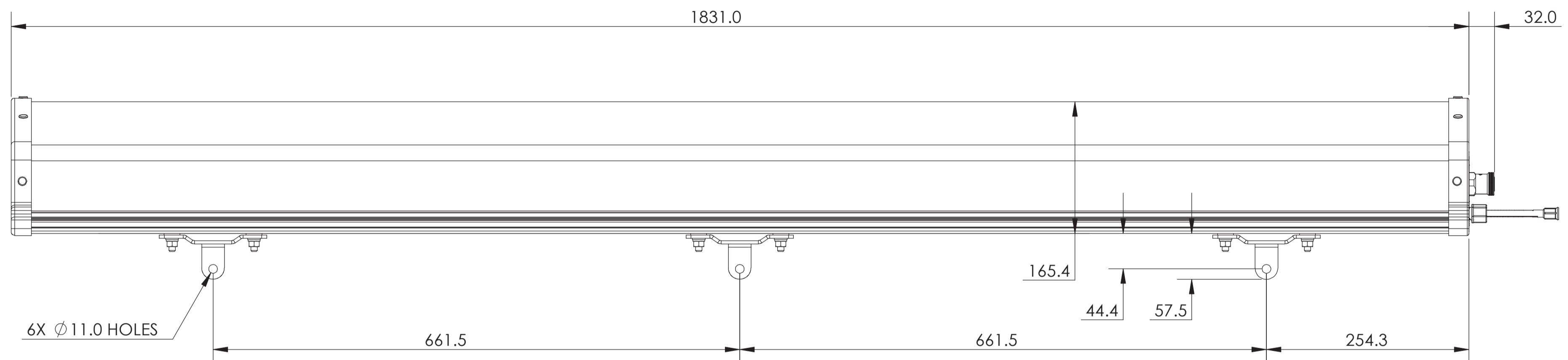
3

2

1

NOTES:

REVISIONS			
REV	DESCRIPTION	DATE	APPROVED
A	ECR 5097722: REL TO PRODUCTION EE: DUNHAO ME: L.YU	21AUG10 HQ	L.YU/DUNHAO
B	ECR 7002485: ADD LDXX-9013DS-A1M ON SHEET 3.	19JUN12 ZY	S.LIU/GUXU
C	ECR 7003971: ADD LDXX-9013DS-E1M ON SHEET 3.	27AUG12 XHX	S.LIU/GUXU
D	ECR 7006744: UPDATE DRAWING WITH LATEST MODEL.	1/29/13 J.H	S.LIU/GUXU
E	ECR 8000005285: ADD DXF FILES.	09OCT14 XHX	S.LIU/JIHE



LDXX-9013DS-VTM

THIRD ANGLE PROJECTION

THIRD ANGLE PROJECTION

MATERIAL	DENSITY:	UNLESS OTHERWISE SPECIFIED DIMENSIONS ARE IN MILLIMETERS INTERPRET PER ISO STANDARDS HANDBOOK TECHNICAL DRAWINGS, VOLUMES 1 & 2, THIRD EDITION (2002)	WESTCHESTER, IL. 60154 U.S.A.	
	MASS:		ANDREW®	
FINISH	TOLERANCES		THIRD ANGLE PROJECTION	
	0 PLACE X±	1 PLACE .X±	2 PLACE .XX±	ANGLES ±
ALL SURFACES ✓		DRAWN BY HOQIAN 21AUG10	SIZE A1	CAGE CODE 84147
		ECN 8000005285-O	MODEL	DOCUMENT NO. LDXX-9013DS-VTM-L
		AUTH. GROUP 23	VERSION 03	STATUS RE
NOTICE: These drawings and specifications are the proprietary property of ANDREW CORPORATION and may be used only for the specific purpose authorized in writing by Andrew.		REVISION D	REVISION 04	REVISION E
				SHEET 1 OF 3

8

7

6

3

2

1

8

7

6

5

4

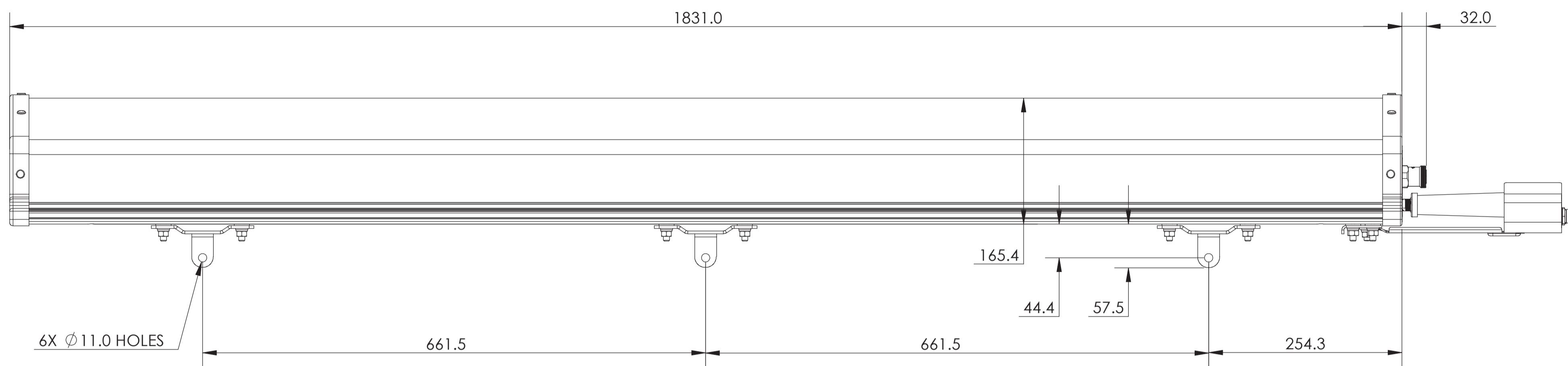
3

2

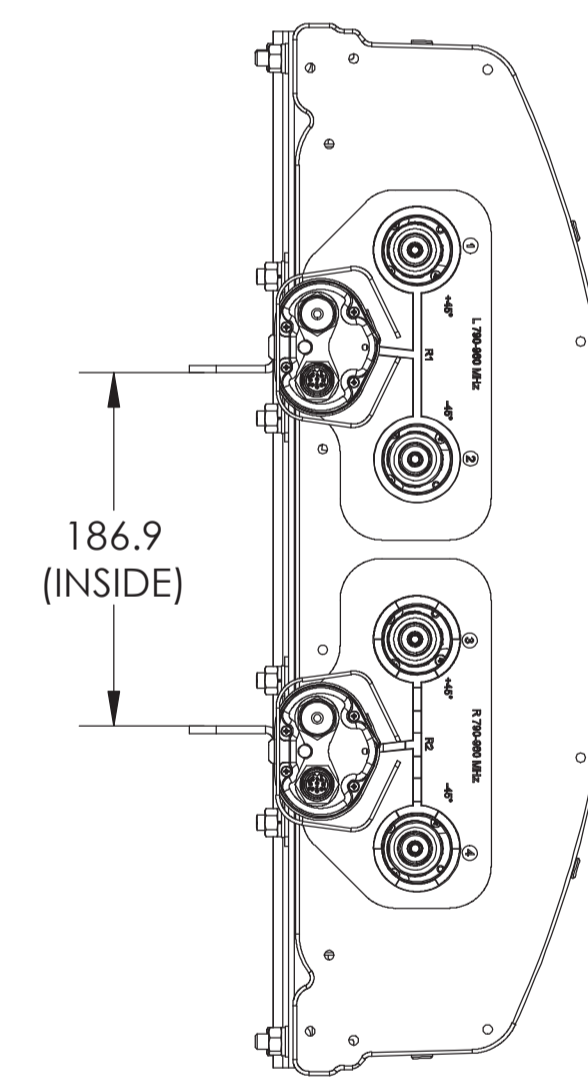
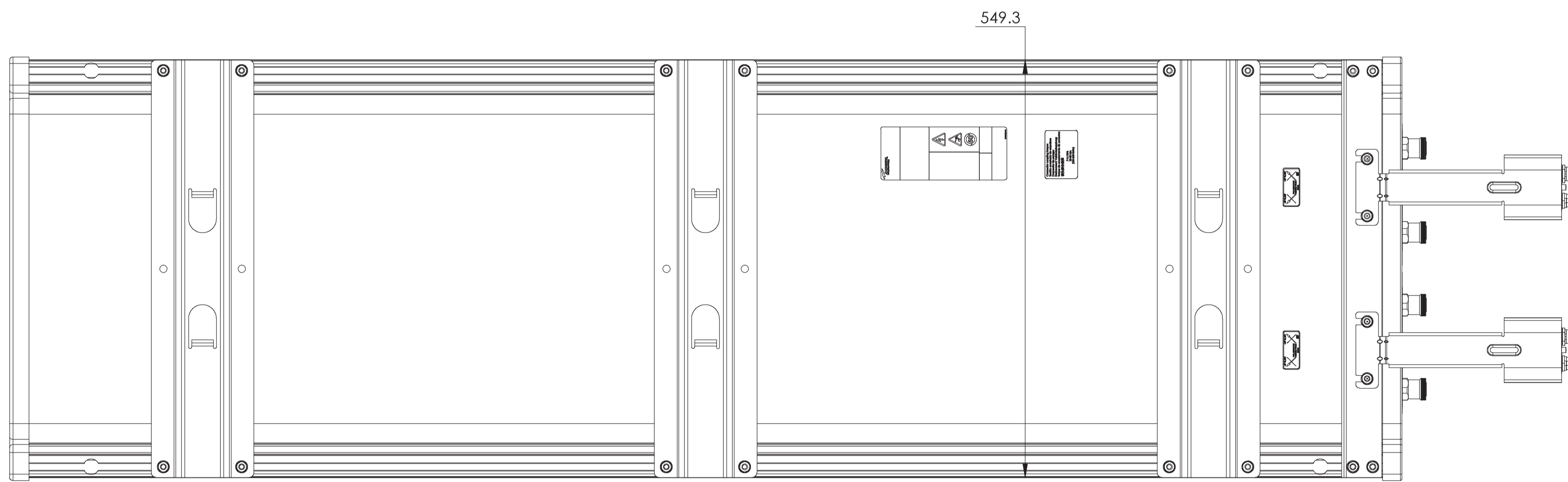
1

D

D



C



B

LDXX-9013DS-A2M

A

A

**ANDREW** WESTCHESTER, IL. 60154  
U.S.A.

PRODUCT DRAWING

THIRD ANGLE PROJECTION



SIZE **A1 84147**

DOCUMENT NO. LDXX-9013DS-VTM-L

NOTICE: These drawings and specifications are the proprietary property of ANDREW CORPORATION and may be used only for the specific purpose authorized in writing by Andrew.

VERSION	STATUS	REVISION	SHEET
04	RE	E	2 OF 3

8

7

6

THIRD ANGLE PROJECTION

3

2

1

8

7

6

5

4

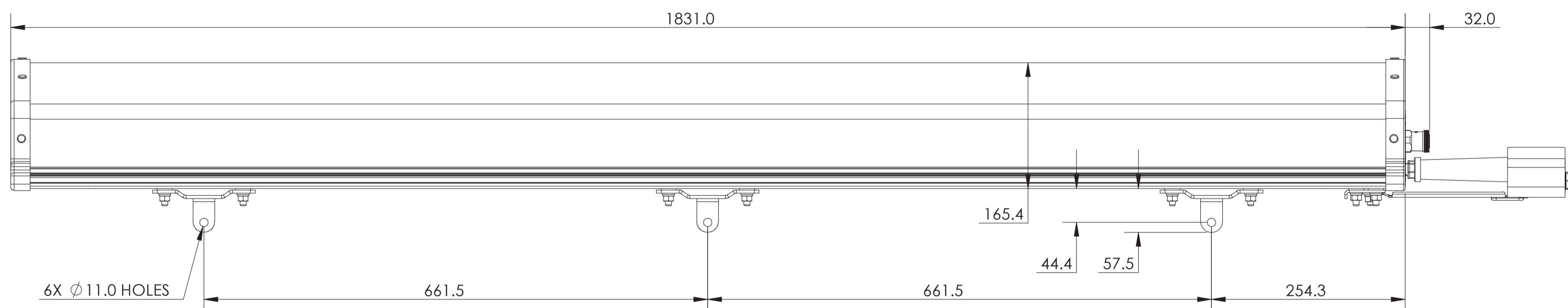
3

2

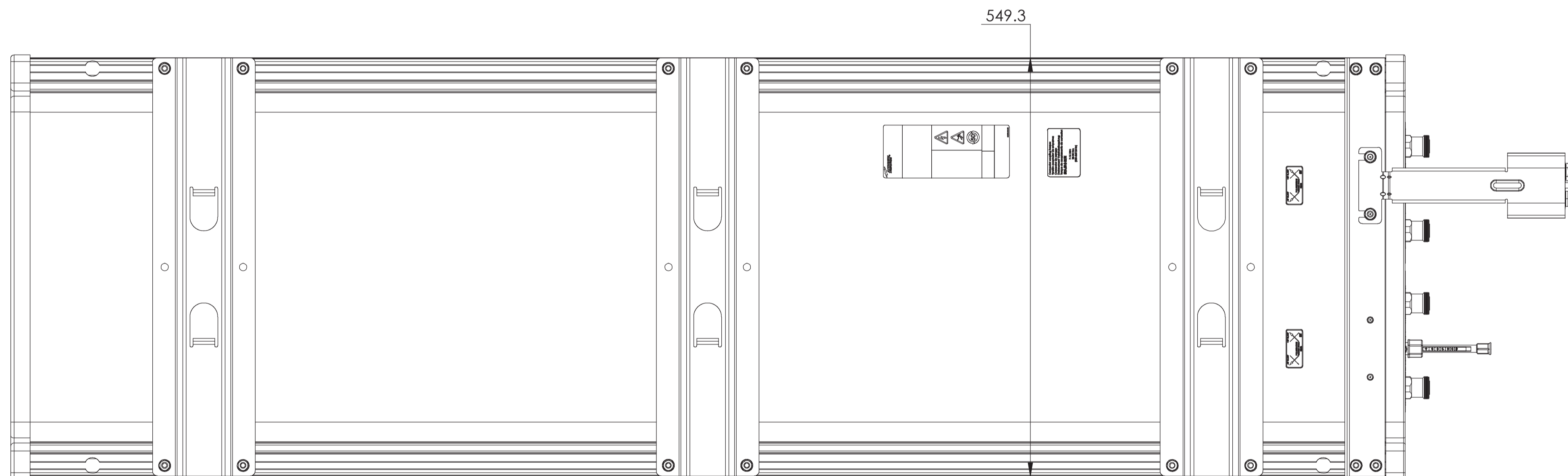
1

D

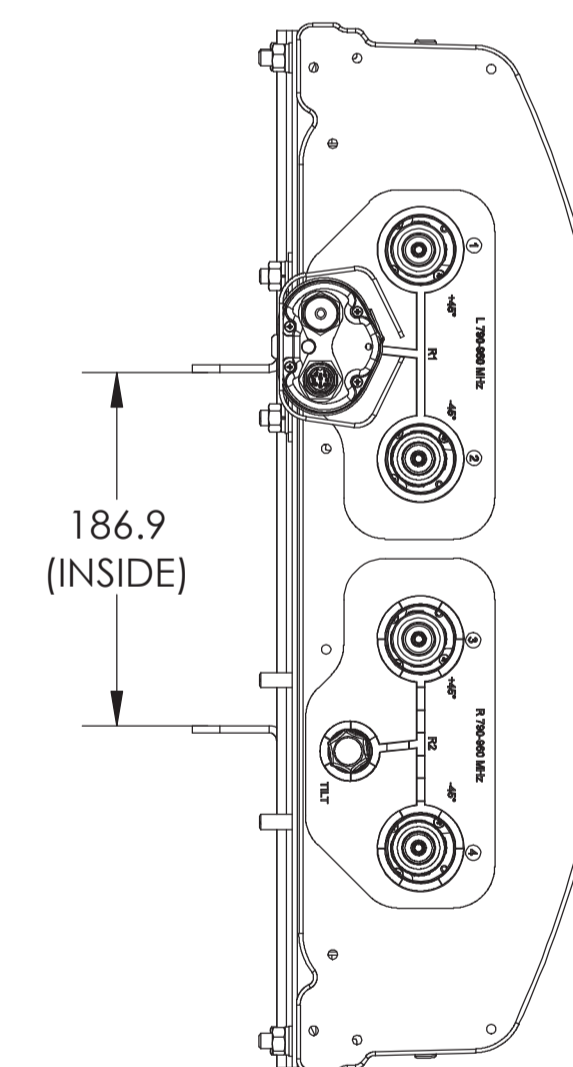
D



C



B



A

LDXX-9013DS-A1M  
LDXX-9013DS-E1M

A

**ANDREW** WESTCHESTER, IL. 60154  
U.S.A.

PRODUCT DRAWING

THIRD ANGLE PROJECTION



SIZE **A1 84147**

CAGE CODE

DOCUMENT NO.  
**LDXX-9013DS-VTM-L**

NOTICE: These drawings and specifications are the proprietary property of ANDREW CORPORATION and may be used only for the specific purpose authorized in writing by Andrew.

VERSION	STATUS	REVISION	SHEET
04	RE	E	3 OF 3

8

7

6

THIRD ANGLE PROJECTION

3

2

1