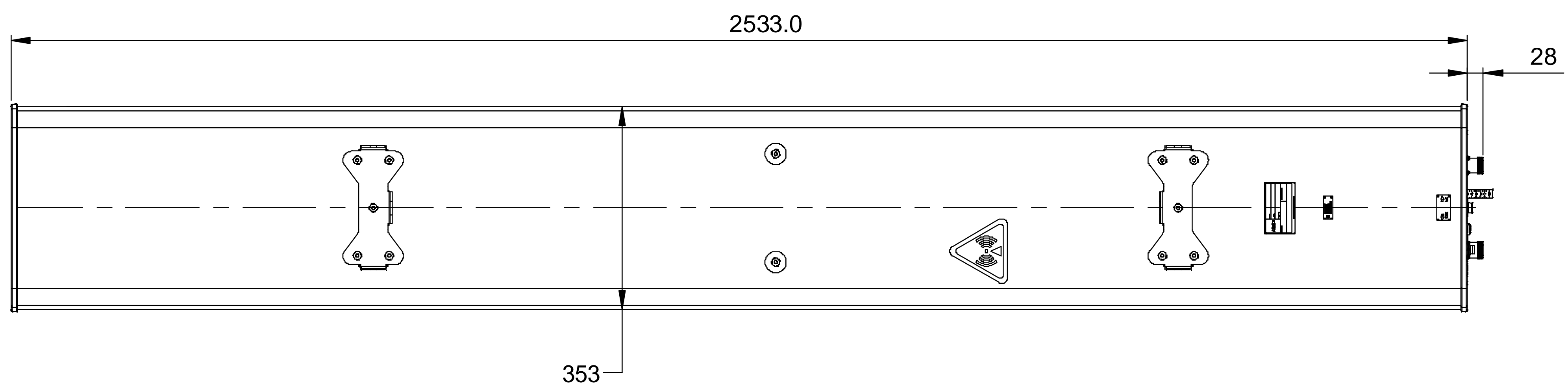
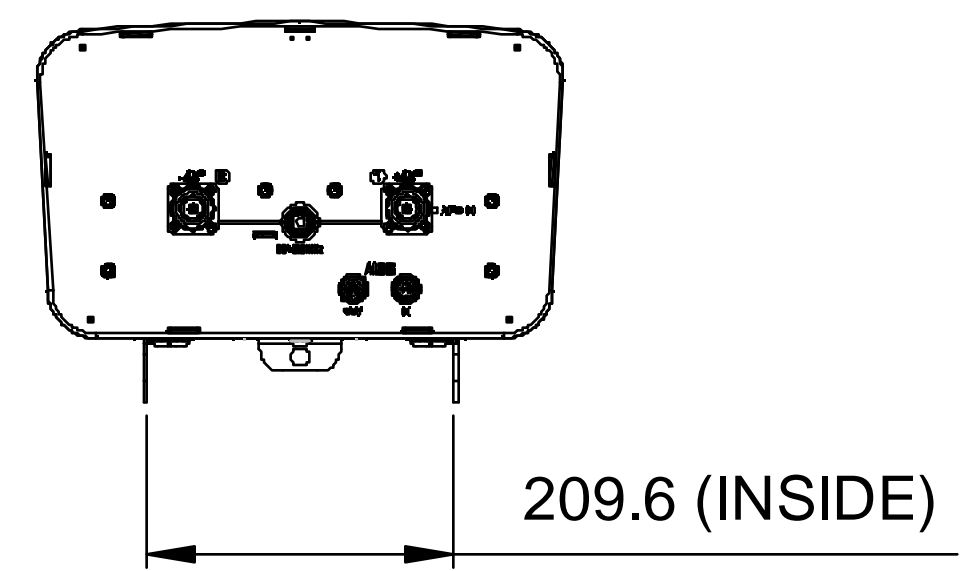
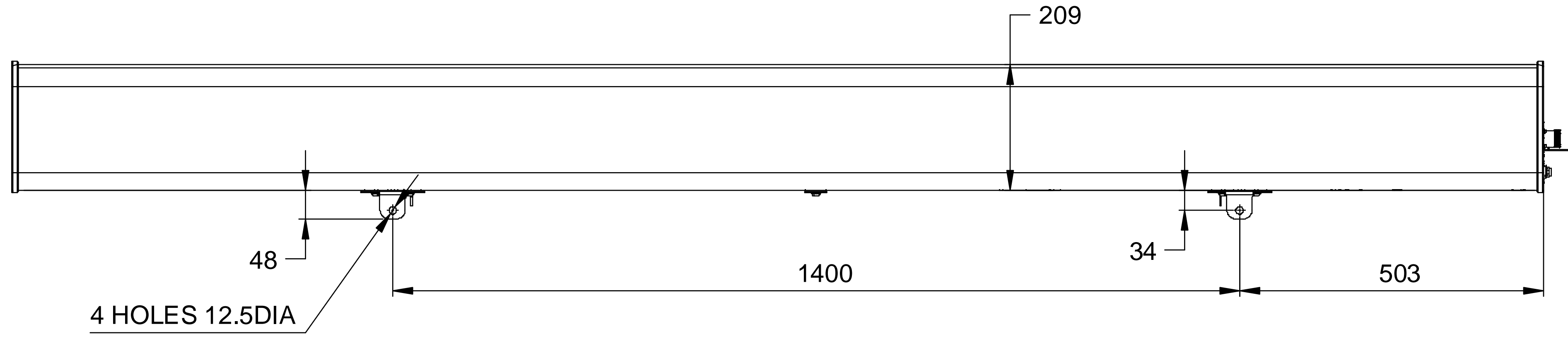


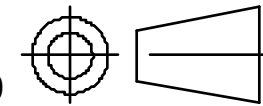


ZONE	REV.	DESCRIPTION	DRAWN BY	DATE
-	A	INITIAL ISSUE	BD	14/03/2014



 		DESCRIPTION: PRODUCT DRAWING		DWG REV A	
UNLESS OTHERWISE SPECIFIED DIMENSIONS ARE IN MILLIMETRES. TOLERANCES ARE: 0 - 20 ±2 HOLE Ø ±1 >20-100 ±2 HOLE Ø ±1 >100-200 ±2 ANGULAR ±1° >200 ±2		PART/DWG NUMBER: RPX310B-V1 -L		DATE: 14/03/2014	
DRAWN TO AS1100		MATERIAL: N/A		3D MOD: N/A	
		FINISH: N/A		SCALE: 1:10 A3 DRAWN: B.D SHEET 1 OF 1	