

8

7

6

5

4

3

2

1

NOTES:

REVISIONS			
REV	DESCRIPTION	DATE	APPROVED
F	ECR 5090611: ADD TBXLHB-6565A-R1M ON SHEET 3.	22SEP09 XH	S.LIU/JIHE
G	ECR 5101025: UPDATE DRAWING.	26NOV10 JOY	S.LIU/GUXU
H	ECR 5102784: ADD ELM ON SHEET 5; ADD E2M ON SHEET 6.	26JAN11 J.H	S.LIU/GUXU
J	ECR 5103400: ADD E3M.	16FEB11 J.H	S.LIU/GUXU
K	ECR 800000777: UPDATE DRAWING.	13JUN13 YY	EB/GD

D

D

C

B

TBXLHB-6565A-VTM

A

A

MATERIAL	DENSITY:	UNLESS OTHERWISE SPECIFIED DIMENSIONS ARE IN MILLIMETERS INTERPRET PER ISO STANDARDS HANDBOOK, TECHNICAL DRAWINGS, VOLUMES 1 & 2, THIRD EDITION (2002)	WESTCHESTER, IL. 60154 U.S.A.			
	MASS:		ANDREW			
FINISH	TOLERANCES	THIRD ANGLE PROJECTION	PRODUCT DRAWING			
	0 PLACE X ± 3 1 PLACE X ± 1.0 2 PLACE .XX ± 0.20 ANGLES ± 0.5° ALL SURFACES ✓		DRAWN BY WHM 15AUG08 ECN 800000777-O AUTH. GROUP 23	SIZE A1 CAGE CODE 84147	DOCUMENT NO. TBXLHB-6565A-VTM-L	
NOTICE: These drawings and specifications are the proprietary property of ANDREW CORPORATION and may be used only for the specific purpose authorized in writing by Andrew.		VERSION 06	STATUS RE	REVISION G	DRAWING VERSION 10 STATUS RE REVISION K	SHEET 1 OF 6

8

7

6

THIRD ANGLE PROJECTION

3

2

1

8

7

6

5

4

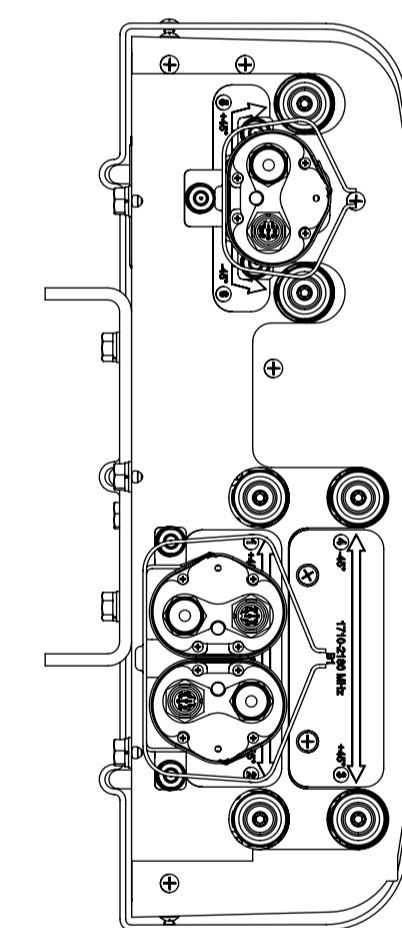
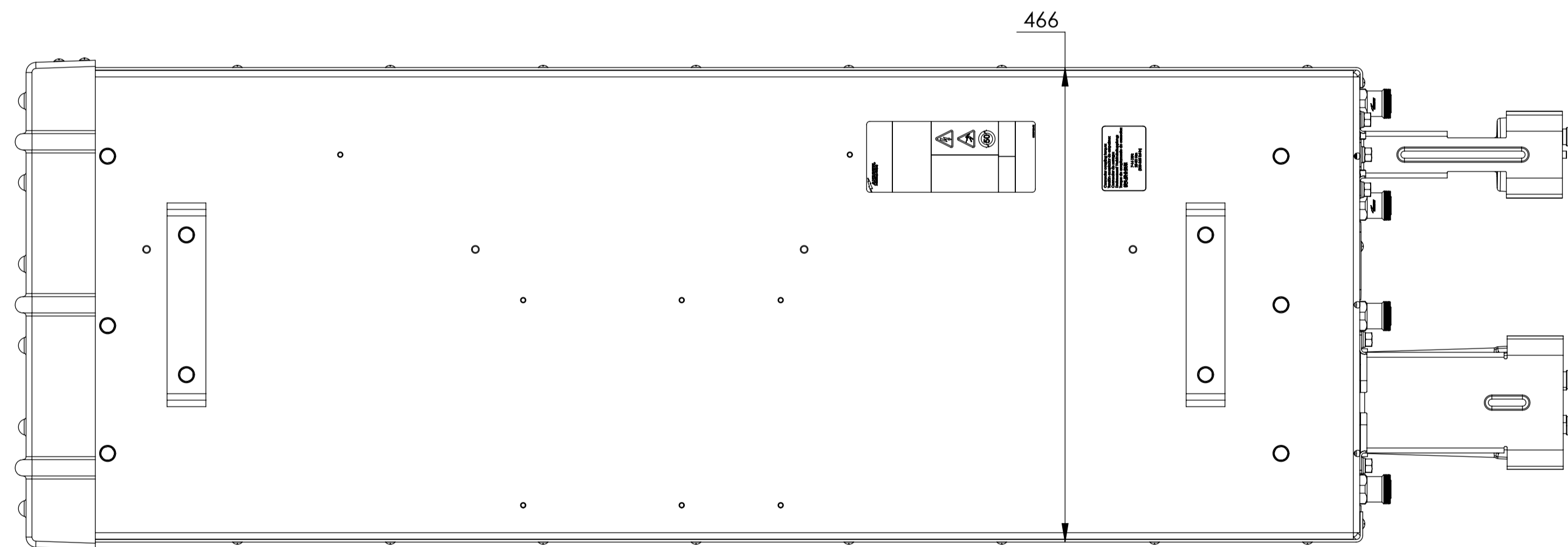
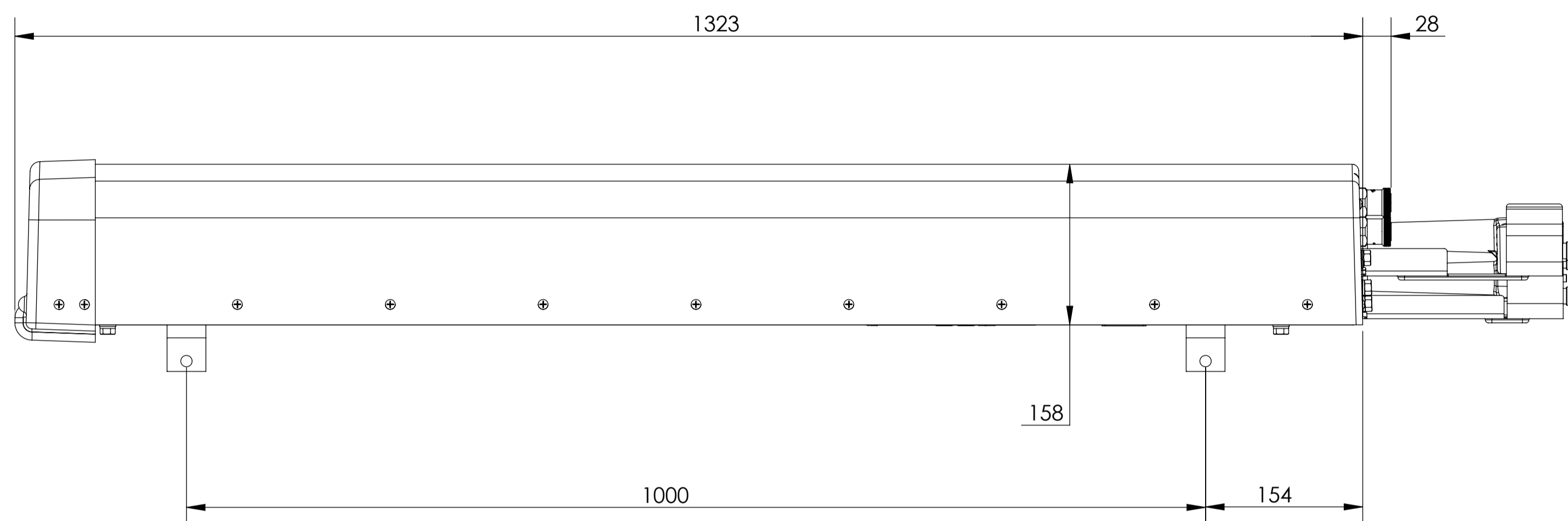
3

2

1

D

D



TBXLHB-6565A-R2M  
 TBXLHB-6565A-A3M  
 TBXLHB-6565A-E3M

A

A

8

7

6

THIRD ANGLE PROJECTION

3

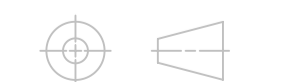
2

1

**ANDREW** WESTCHESTER, IL. 60154  
 U.S.A.

PRODUCT DRAWING

THIRD ANGLE PROJECTION



SIZE **A1** CAGE CODE **84147**

DOCUMENT NO. **TBXLHB-6565A-VTM-L**

NOTICE: These drawings and specifications are the proprietary property of ANDREW CORPORATION and may be used only for the specific purpose authorized in writing by Andrew.

VERSION	STATUS	REVISION	SHEET
10	RE	K	2 OF 6

8

7

6

5

4

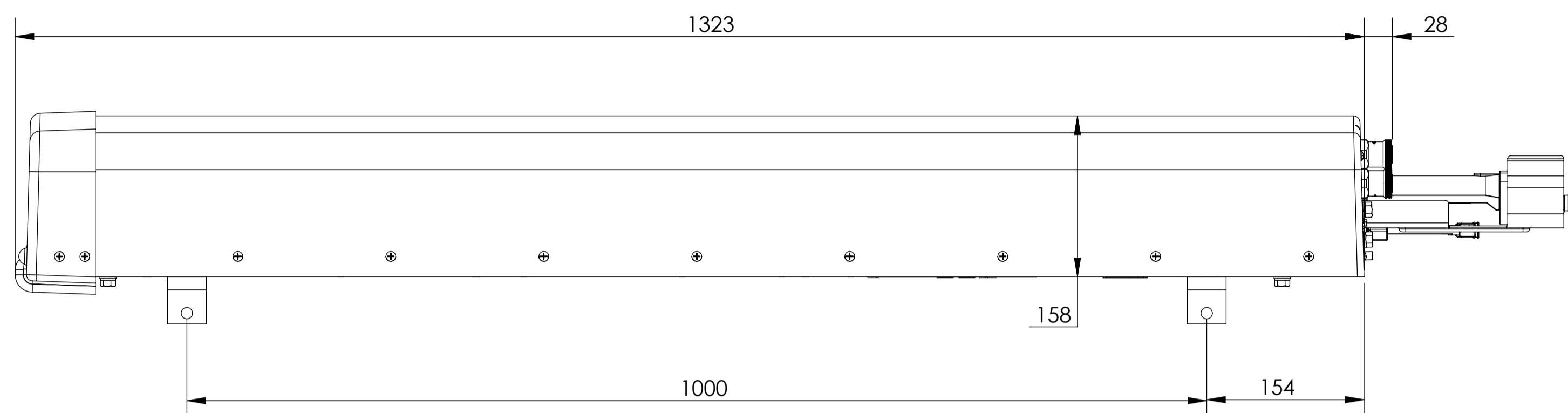
3

2

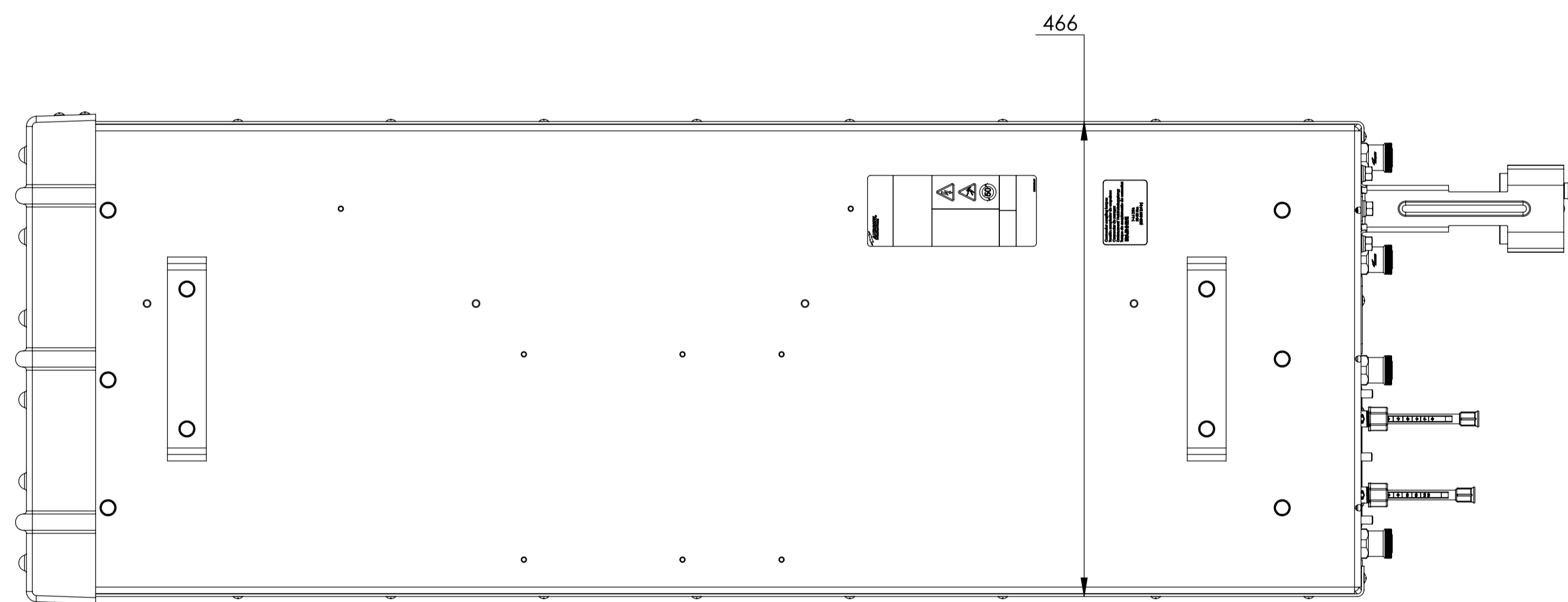
1

D

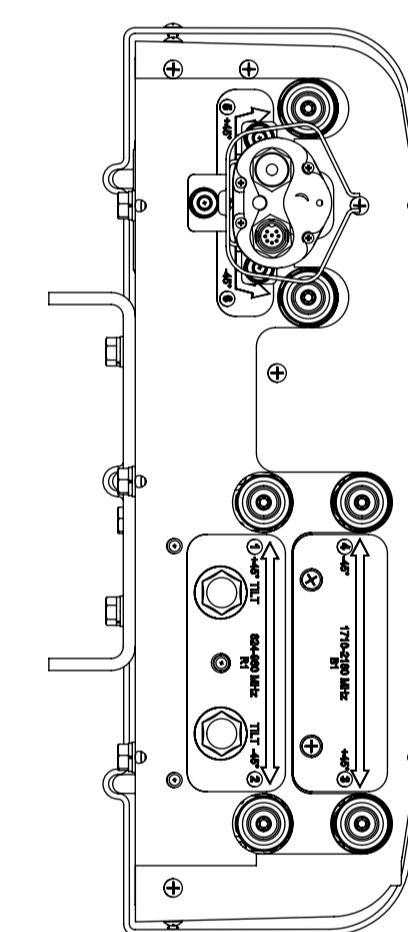
D



C



B



A

TBXLHB-6565A-E1M  
 TBXLHB-6565A-A1M  
 TBXLHB-6565A-R1M

A

**ANDREW** WESTCHESTER, IL. 60154  
 U.S.A.

PRODUCT DRAWING

THIRD ANGLE PROJECTION



SIZE **A1** CAGE CODE **84147**

DOCUMENT NO. **TBXLHB-6565A-VTM-L**

NOTICE: These drawings and specifications are the proprietary property of ANDREW CORPORATION and may be used only for the specific purpose authorized in writing by Andrew.

VERSION	STATUS	REVISION	SHEET
10	RE	K	3 OF 6

8

7

6

THIRD ANGLE PROJECTION

3

2

1

8

7

6

5

4

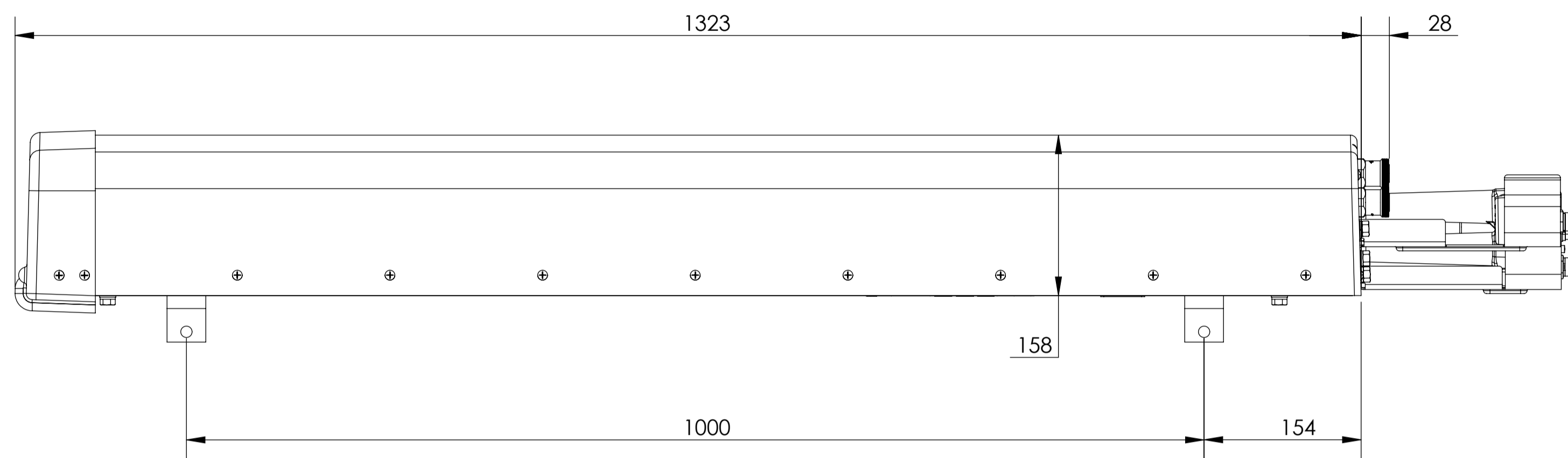
3

2

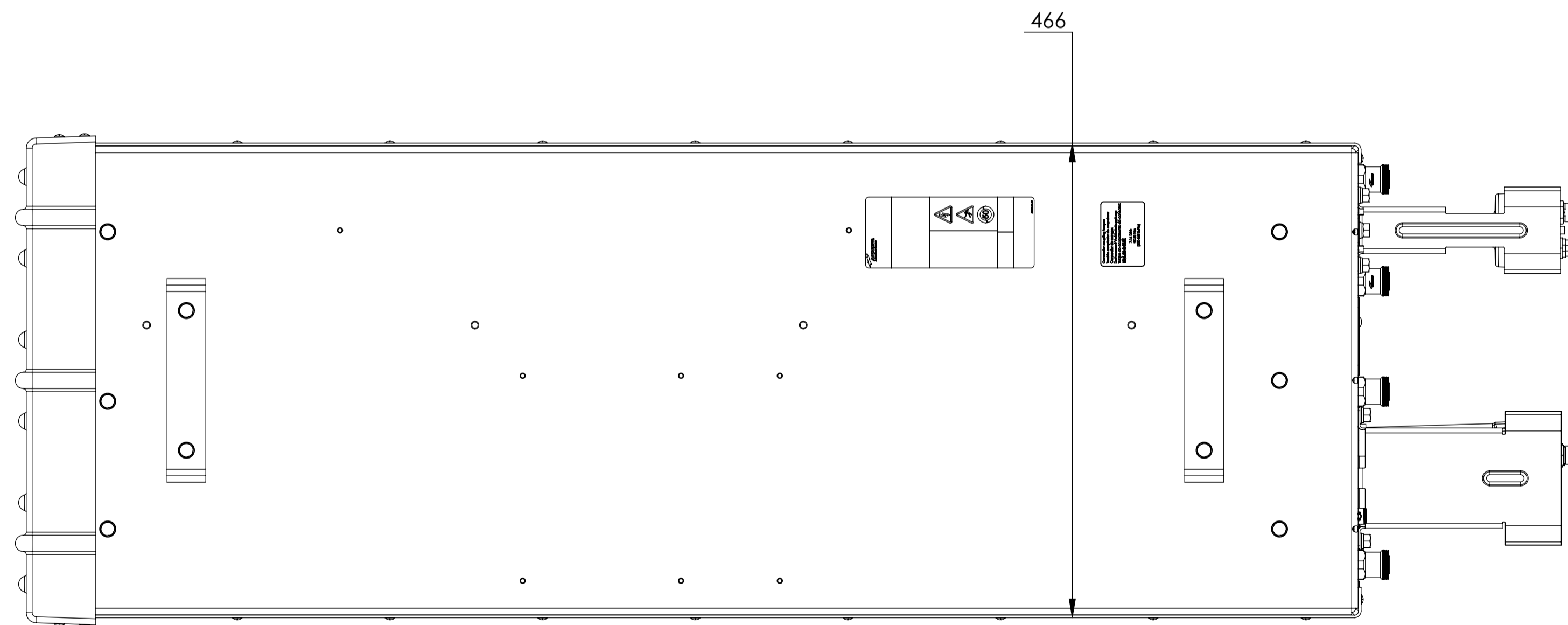
1

D

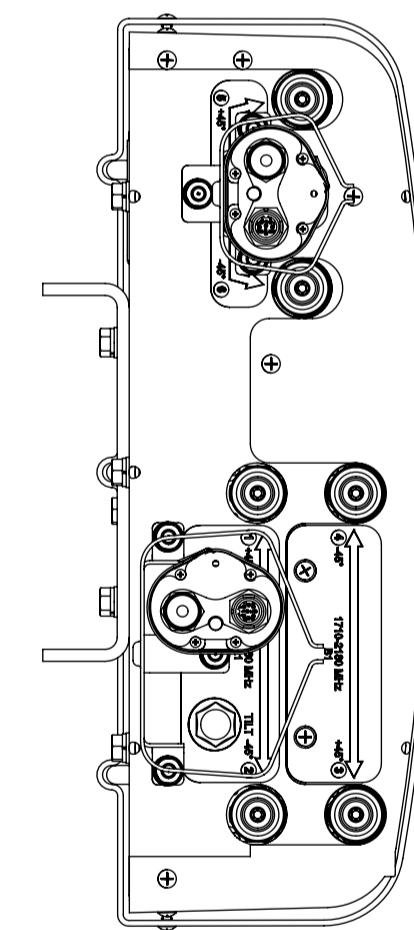
D



C



B



A

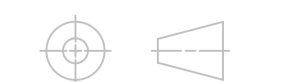
TBXLHB-6565A-A2M

A

**ANDREW** WESTCHESTER, IL. 60154  
U.S.A.

PRODUCT DRAWING

THIRD ANGLE PROJECTION



SIZE **A1** CAGE CODE **84147**

DOCUMENT NO. **TBXLHB-6565A-VTM-L**

NOTICE: These drawings and specifications are the proprietary property of ANDREW CORPORATION and may be used only for the specific purpose authorized in writing by Andrew.

VERSION	STATUS	REVISION	SHEET
10	RE	K	4 OF 6

8

7

6

THIRD ANGLE PROJECTION

3

2

1

8

7

6

5

4

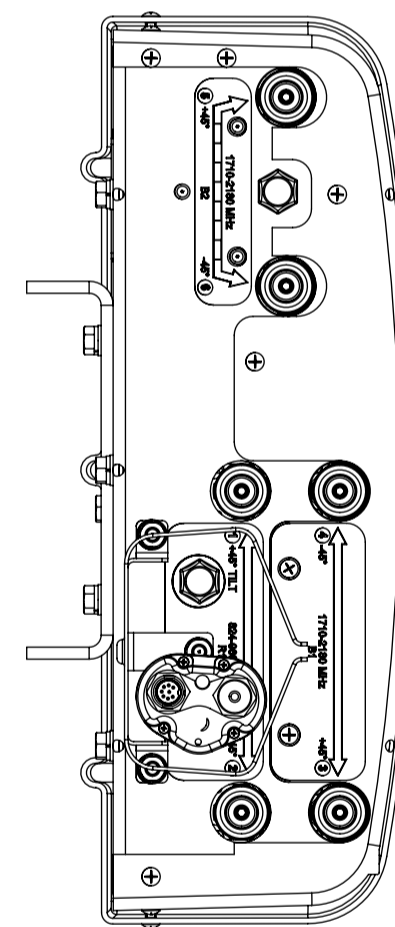
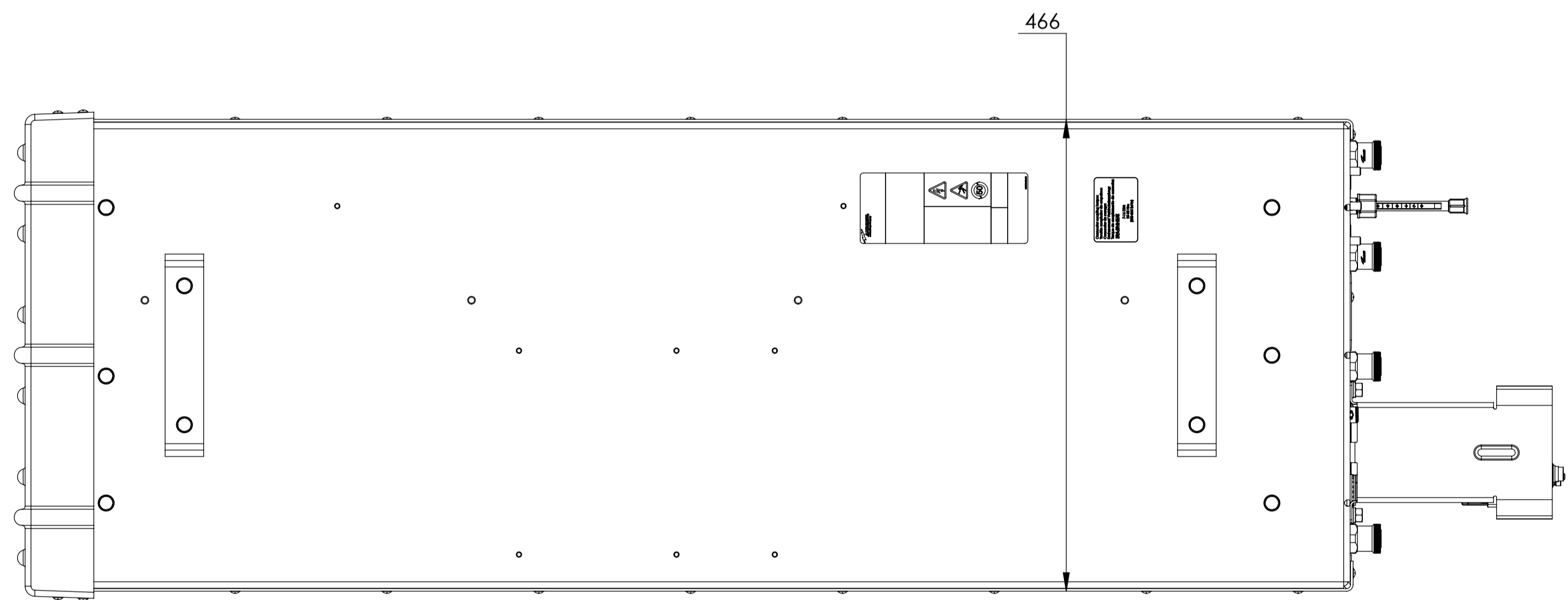
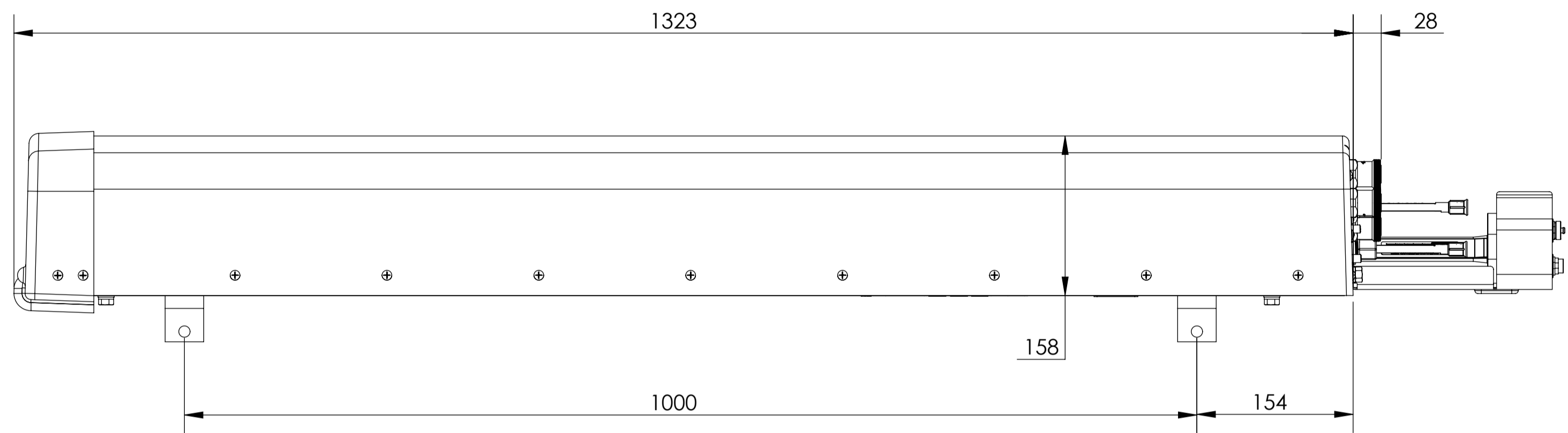
3

2

1

D

D



TBXLHB-6565A-ELM

A

A

**ANDREW** WESTCHESTER, IL. 60154  
U.S.A.

PRODUCT DRAWING



SIZE **A1** CAGE CODE **84147**

DOCUMENT NO. **TBXLHB-6565A-VTM-L**

VERSION	STATUS	REVISION	SHEET
10	RE	K	5 OF 6

NOTICE: These drawings and specifications are the proprietary property of ANDREW CORPORATION and may be used only for the specific purpose authorized in writing by Andrew.

8

7

6

THIRD ANGLE PROJECTION

3

2

1

8

7

6

5

4

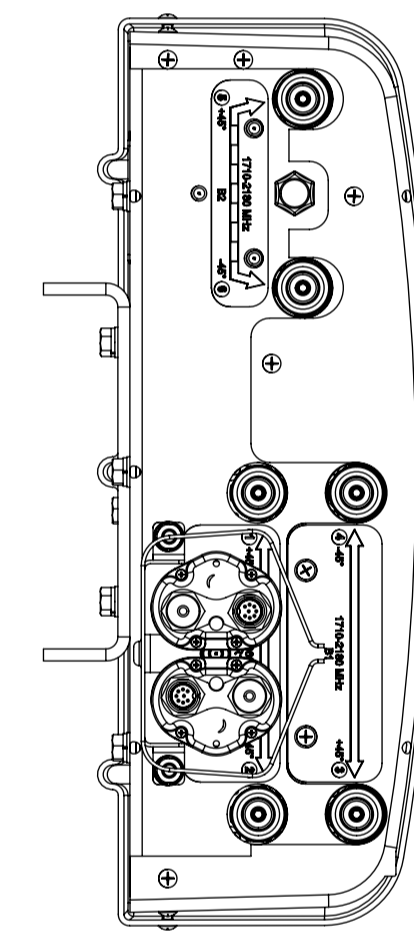
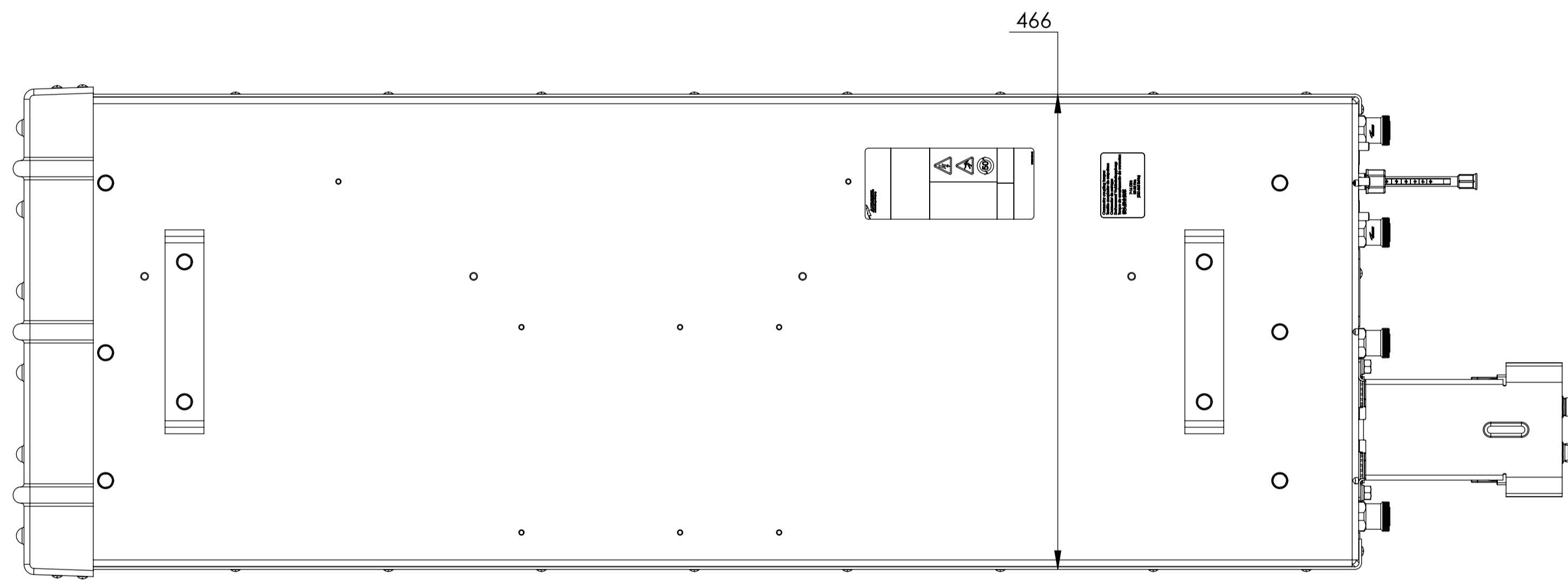
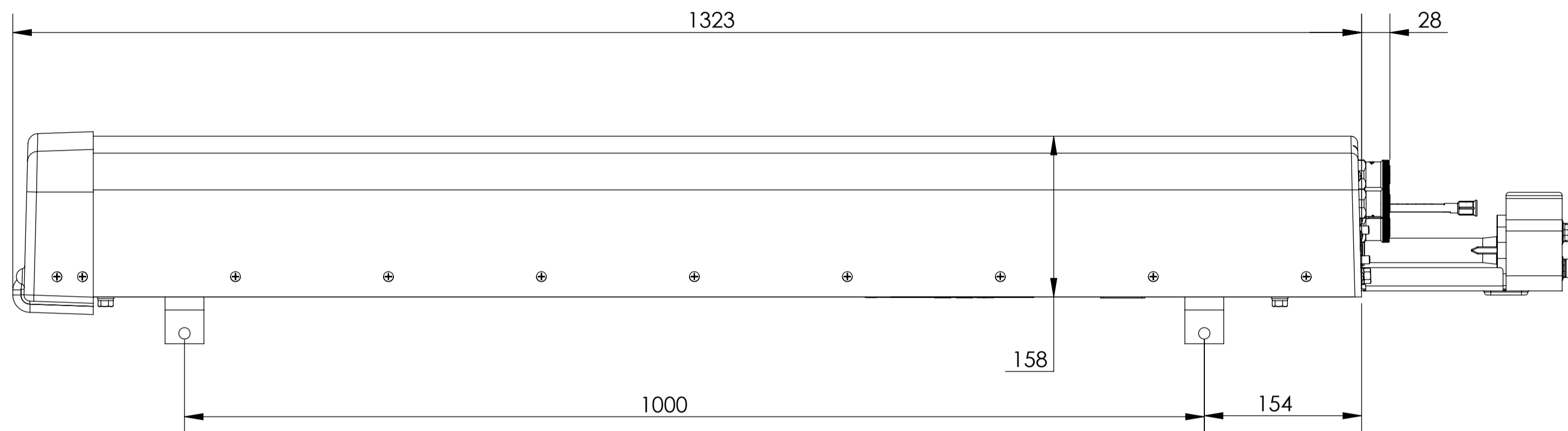
3

2

1

D

D



TBXLHB-6565A-E2M

C

B

THIRD ANGLE PROJECTION

A

A

8

7

6

THIRD ANGLE PROJECTION

3

2

1

**ANDREW** WESTCHESTER, IL. 60154  
U.S.A.

PRODUCT DRAWING

THIRD ANGLE PROJECTION



SIZE **A1** CAGE CODE **84147**

DOCUMENT NO. **TBXLHB-6565A-VTM-L**

NOTICE: These drawings and specifications are the proprietary property of ANDREW CORPORATION and may be used only for the specific purpose authorized in writing by Andrew.

VERSION	STATUS	REVISION	SHEET
10	RE	K	6 OF 6