

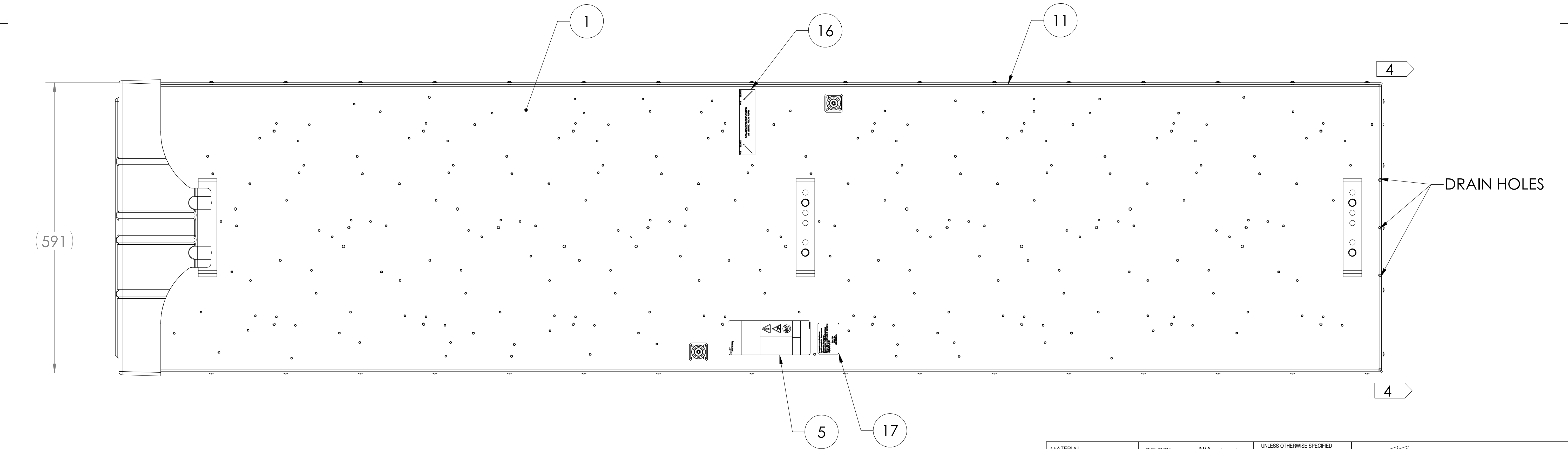
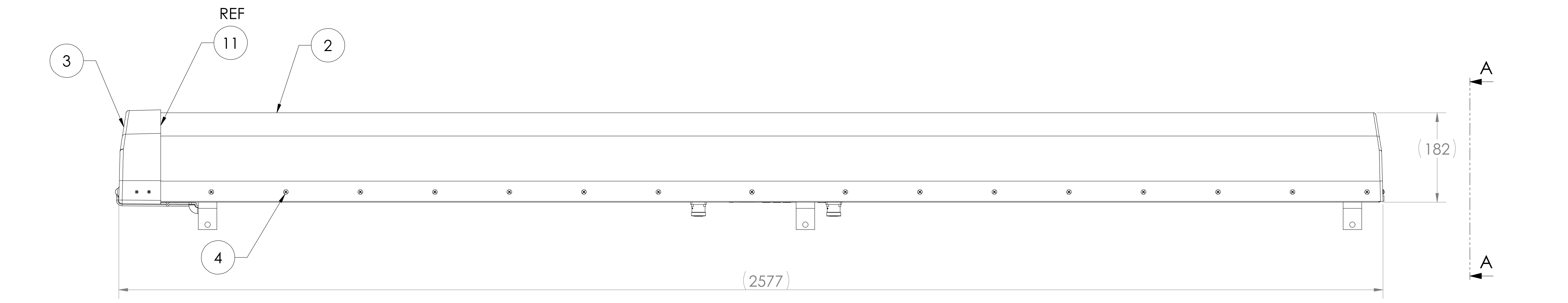
8 7 6 5 4 3 2 1

NOTES:

1. LOCATE DECALS/LABELS APPROXIMATELY AS SHOWN.
2. ASSEMBLE ANTENNA SUBASSEMBLY (ITEM 1) TO RADOME (ITEM 2) USING SCREWS (ITEM 4), AND RTV (ITEM 11) PER RADOME ASSEMBLY INSTRUCTION DOCUMENT, ANDREW P/N:100091-001. DO NOT BLOCK DRAIN HOLE(S) WITH SEALANT. APPLY RTV (ITEM 11) ON INSIDE SURFACE OF RADOME CAP (ITEM 3). ASSEMBLE RADOME TOP CAP (ITEM 3) ONTO TOP END OF ANTENNA AND SECURE WITH SCREWS (ITEM 4) AND RTV (ITEM 11).
3. SEE SHEET 2 FOR DATA SPECIFICATION.
4. MAKE SURE THE TWO INDICATED CORNERS HAVE SUFFICIENT SEALANT.
5. AFTER TESTING REPLACE CAP PLUG(S) OVER CONNECTOR(S).
6. PARTS TO BE CLEAN AND FREE OF BURRS, SHARP EDGES, DIRT, OIL, GREASE, AND OTHER CONTAMINANTS.
7. ALL SUBSTANCES INCLUDED IN THIS PART OR ASSEMBLY MUST BE ROHS COMPLIANT.

REVISIONS			
REV.	DESCRIPTION	DATE	APPROVED
A	RELEASE DRAWING PER EAO 4000765	05/22/2006 CD	AX
B	ECR 5076235: CHG SPECIFICATIONS TABLE; ADD NOTES 5&6&7.	10/26/07 ZHC	XIAI

THIRD ANGLE PROJECTION



-1
SCALE 1:4

MATERIAL N/A	DENSITY: N/A g/mm3	UNLESS OTHERWISE SPECIFIED DIMENSIONS ARE IN MILLIMETERS INTERPRET PER ISO STANDARDS HANDBOOK, TECHNICAL DRAWINGS, VOLUMES 1 & 2, THIRD EDITION (2002)	WESTCHESTER, IL 60154 U.S.A.
	MASS: 21.3 kilograms		
FINISH N/A	TOLERANCES 0 PLACE X ± 3 1 PLACE .X ± 1.0 2 PLACE .XX ± 0.10 ANGLES ± 0.5° ALL SURFACES ✓		THIRD ANGLE PROJECTION
	DRAWN BY: M. MARQ 10-10-26 ECN 5076235	AUTH. GROUP 23	SIZE: A1 CAGE CODE: 84147 DOCUMENT NO.: 646999

NOTICE: These drawings and specifications are the proprietary property of ANDREW CORPORATION and may be used only for the specific purpose authorized in writing by Andrew.

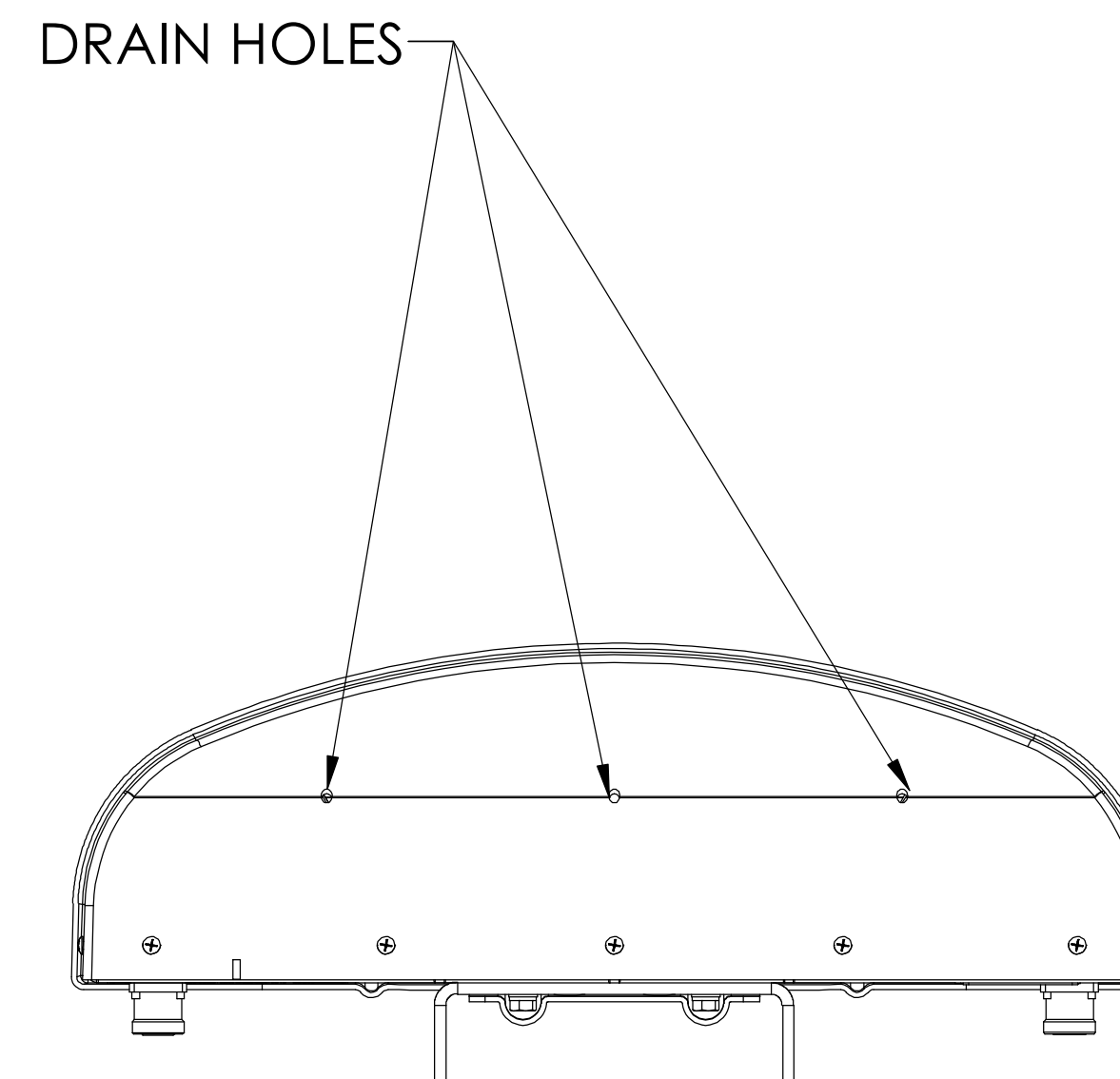
8 7 6 5 4 3 2 1

THIRD ANGLE PROJECTION

SPECIFICATIONS		-1
Model Number(s)		LBX-3319DS-T0M
Description		CELLULAR PANEL, FIXED TILT
Frequency Range (MHz) (xxx-xxx)		806-896/ 870-960
Connector Type		7-16 DIN
Connector Location (top, bottom or Back)		BACK
Impedence (ohms)		50
Bandwidth (MHz)		90/ 90
Electrical Downtilt (Deg.)		0
Gain (dBd) (nominal)		18.8/ 19
VSWR (relative to 50 omhs) (x.xx:1)		1.4
Return Loss (dB) (<-xx.x)		15.5
Production RL Action Limit (dB) (<-xx.x)		16
Beam Width (Deg.) Horizontal (azimuth)		33±3.0
(3dB from max.) (Deg.) Vertical (elevation)		7.5±1
Vertical Plane Sidelobes (dB)		18
Front-to-Back Ratio (dB)		30
Front-to-Side Ratio (dB)		N/A
Isolation (multiple antennas, only) (dB)		≤-30
Null Fill (yes/no)		NO
Upper side Lobe Suppression (yes/no)		YES
IM Suppression (dBc or dBm) 3rd Order		-150dBC
Polorization (+xx'/-xx' Slant, Hor, Vert, or Hor/Vert)		+45/ -45
Antenna Peak Voltage Rating (RF Volts-avg)		500
Max. Input Power (Watts)		500
Max. Frontal Exposed Area (m ² / ft ²)		.5M ² / 5.2 FT ²
Max. Lateral Exposed Area (m ² / ft ²)		.1M ² / 1.0 FT ²
Wind Load Thrust:-----		
Frontal (N/ Kp/ Lbf)		1307.8N/ 133.3/ 294 Lbf
Lateral (N/ Kp/ Lbf)		261.1N/ 26.6/ 58.7 Lbf
Max. Survival without Ice: (kmh/ mph)		241.6 kmh/ 150 mph
Wind Speed with .5 Radial Ice: (kmh/ mph)		161 kmh/ 100 mph
Tip Deflection @100 mph/161 kmp (in/mm)		N/A
Materials Mast or Tray:		ALUMINUM
Radome:		UV INHIBITED FIBERGLASS
Radiators:		ALUMINUM
Reflector Screen:		N/A
Mtg. Hardware:		GALVANIZED STEEL
Radome Color		LIGHT GREY RAL 7035
Weight-Net (lb/kg)		47 lb/ 21.3 Kg
Dimensions (HxWxD) mm:		2577/ 592/ 182
inches:		101.5/ 23.3/ 7.2
Dimensions: Overall Length: (in/mm)		N/A
Radome (upper) Diameter: (in/mm)		N/A
Mast (lower) Diameter: (in/mm)		N/A
Mounting, Standard		016038-003 & DB5083D
Optional Downtilt:		N/A
Other:		N/A

TEST PROCEDURES

090500-000
090391-000
090390-000



VIEW A-A
SCALE 1 : 4

THIRD ANGLE PROJECTION

THIRD ANGLE PROJECTION

NOTICE: These drawings and specifications are the proprietary property of ANDREW CORPORATION and may be used only for the specific purpose authorized in writing by Andrew.

ANDREW WESTCHESTER, IL. 60154 U.S.A.
ANTENNA ASSEMBLY (LBX-3319DS-T0M)

THIRD ANGLE PROJECTION	SIZE A1	CAGE CODE 84147	DOCUMENT NO. 646999
	VERSION 04	STATUS RE	REVISION B
			SHEET 2 OF 2