

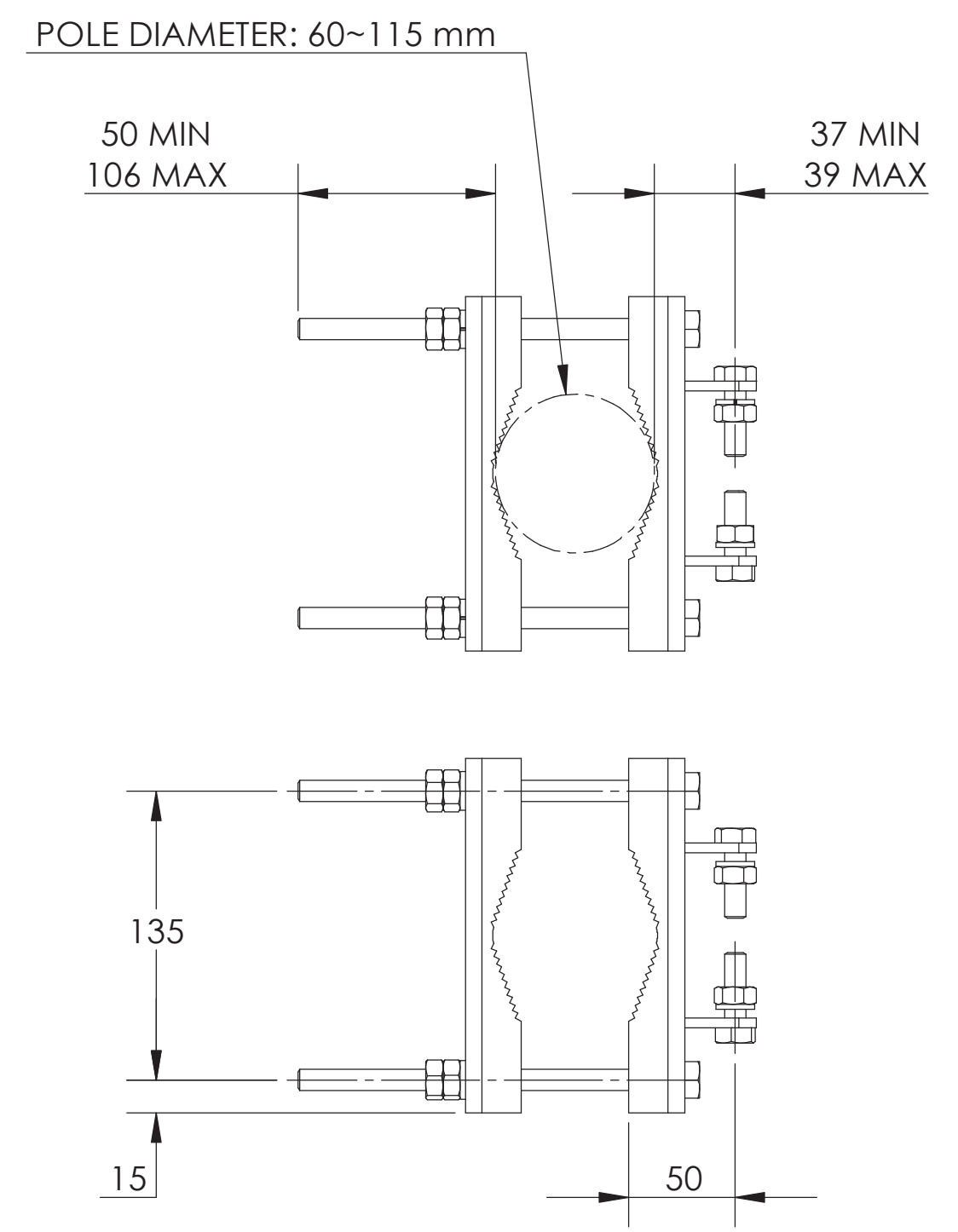
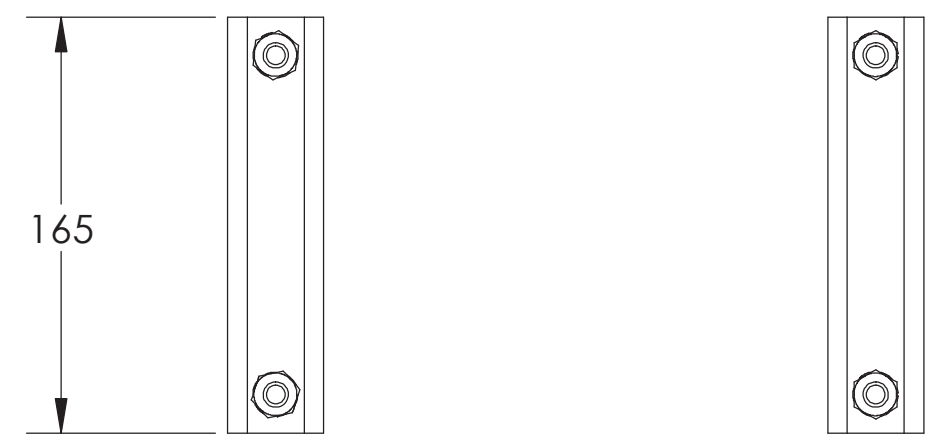
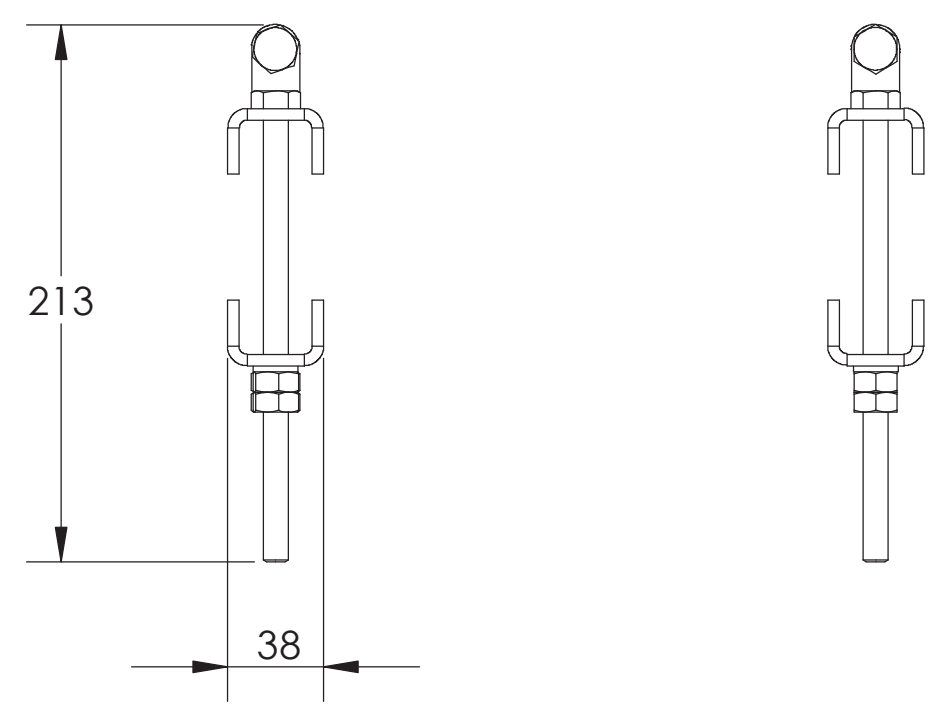
4

3

2

1

REVISIONS			
REV	DESCRIPTION	DATE	APPROVED
A	ECR 800003574: REL TO PRODUCTION PER EAO 601665	23JUL14 JJH	MB XA
B	ECR 8000010306: ADD DIMENSIONS.	15OCT15 RY	S.LIU/JIHE



# DB390

MATERIAL N/A	DENSITY: N/A MASS: 2.15 kg	UNLESS OTHERWISE SPECIFIED DIMENSIONS ARE IN MILLIMETERS INTERPRET PER ISO STANDARDS HANDBOOK TECHNICAL DRAWINGS, VOLUMES 1 & 2, THIRD EDITION (2002)	WESTCHESTER, IL. 60154 U.S.A.						
	MOUNTING CLAMP KIT, 4 OD								
FINISH N/A	TOLERANCES	THIRD ANGLE PROJECTION	SIZE	CAGE CODE	DOCUMENT NO.				
	0 PLACE X ± 1 PLACE .X ± 2 PLACE .XX ± ANGLES ±		<b>A2</b>	<b>84147</b>	DB390-L				
ALL SURFACES ✓		AUTH. GROUP 23	MODEL	DRAWING					
NOTICE: These drawings and specifications are the proprietary property of ANDREW CORPORATION and may be used only for the specific purpose authorized in writing by Andrew.			VERSION	STATUS	REVISION	VERSION	STATUS	REVISION	SHEET
			00	RE	B	02	RE	B	1 OF 1

4

3

2

1