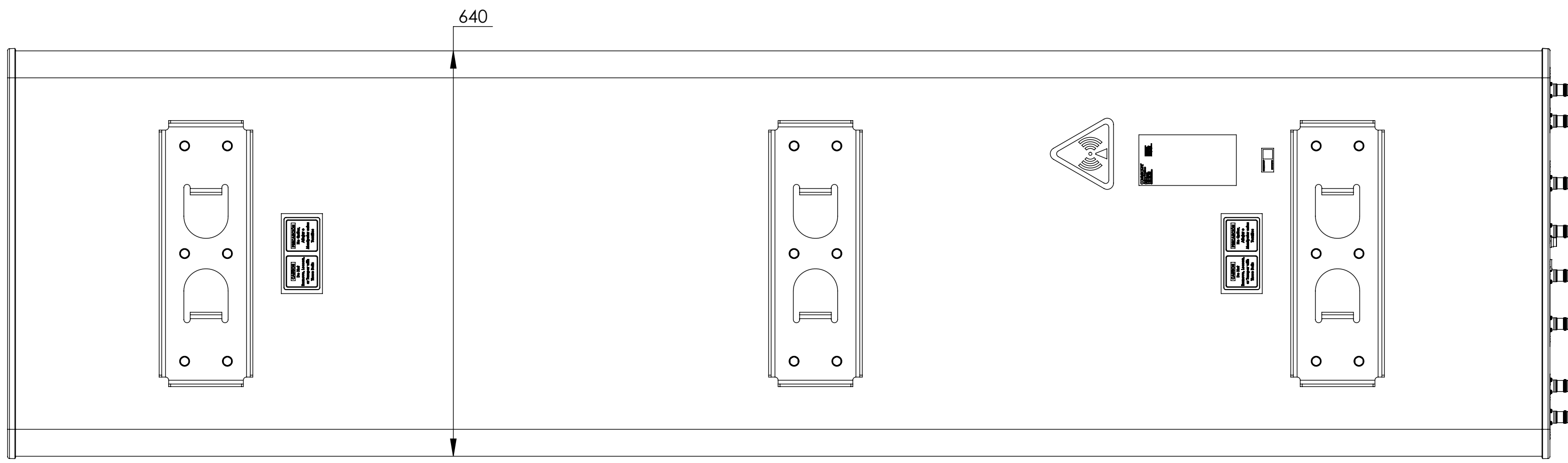
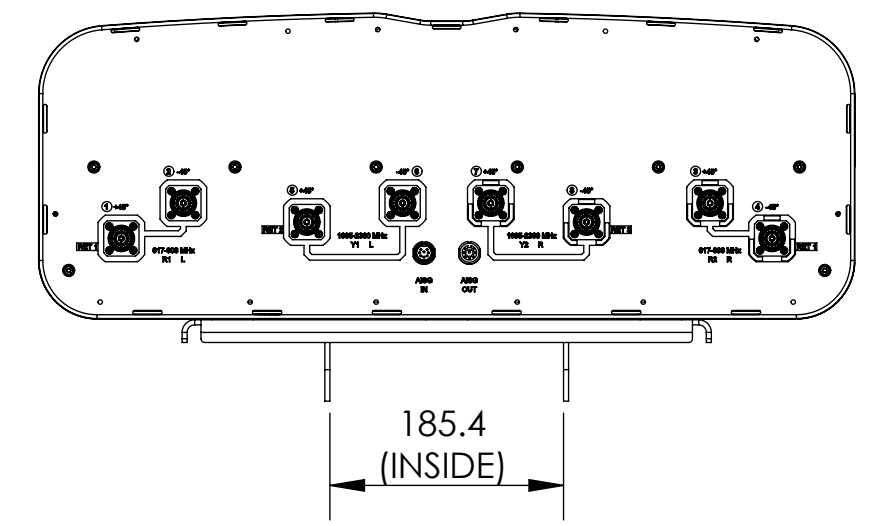
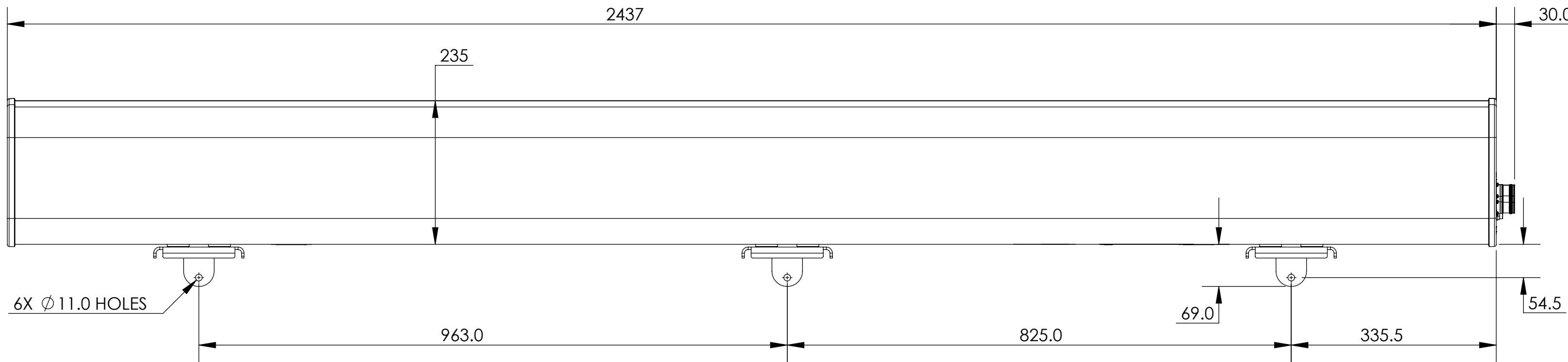


REVISIONS			
REV.	DESCRIPTION	DATE	APPROVED
A	ECR 8000023434: RELEASE TO PRODUCTION PER EAO 604167.	05SEP17 LUOS	LZL/X.MEI
B	ECR 8000035925: UPDATE MODEL.	20JUN19 SXH	DYANG/B.SUN



FFHH-65C-R3

COMMSCOPE, INC. OF NORTH CAROLINA

TOLERANCES		SAP MATERIAL MASTER													
0 PLACE X ±	2 PLACE .XX ±														
1 PLACE .X ±	ANGLES ±														
FINISH		MATERIAL													
<small>UNLESS OTHERWISE SPECIFIED DIMENSIONS ARE IN MILLIMETERS INTERPRET PER ISO STANDARDS HANDBOOK TECHNICAL DRAWINGS VOLUMES 1 &amp; 2, THIRD EDITION (2002)</small>		NAME	DATE												
		CE LUOS	09/05/2017												
		RW XS1022	06/20/2019												
		RV CY1017	06/20/2019												
		AD BS1055	06/20/2019												
RE BYUAN	06/20/2019	TITLE													
ECN 8000035925-O		PRODUCT DRAWING													
SCALE		DOCUMENT NO.													
1:6		FFHH-65C-R3-L													
SIZE	WORK AREA	23	MODEL												
A2			<table border="1"> <tr> <th>VERSION</th> <th>STATUS</th> <th>REVISION</th> <th>VERSION</th> <th>STATUS</th> <th>REVISION</th> </tr> <tr> <td>01</td> <td>RE</td> <td>B</td> <td>01</td> <td>RE</td> <td>B</td> </tr> </table>	VERSION	STATUS	REVISION	VERSION	STATUS	REVISION	01	RE	B	01	RE	B
VERSION	STATUS	REVISION	VERSION	STATUS	REVISION										
01	RE	B	01	RE	B										
HEIGHT	DRAWING														
LENGTH	SHEET														
WIDTH	1 OF 1														