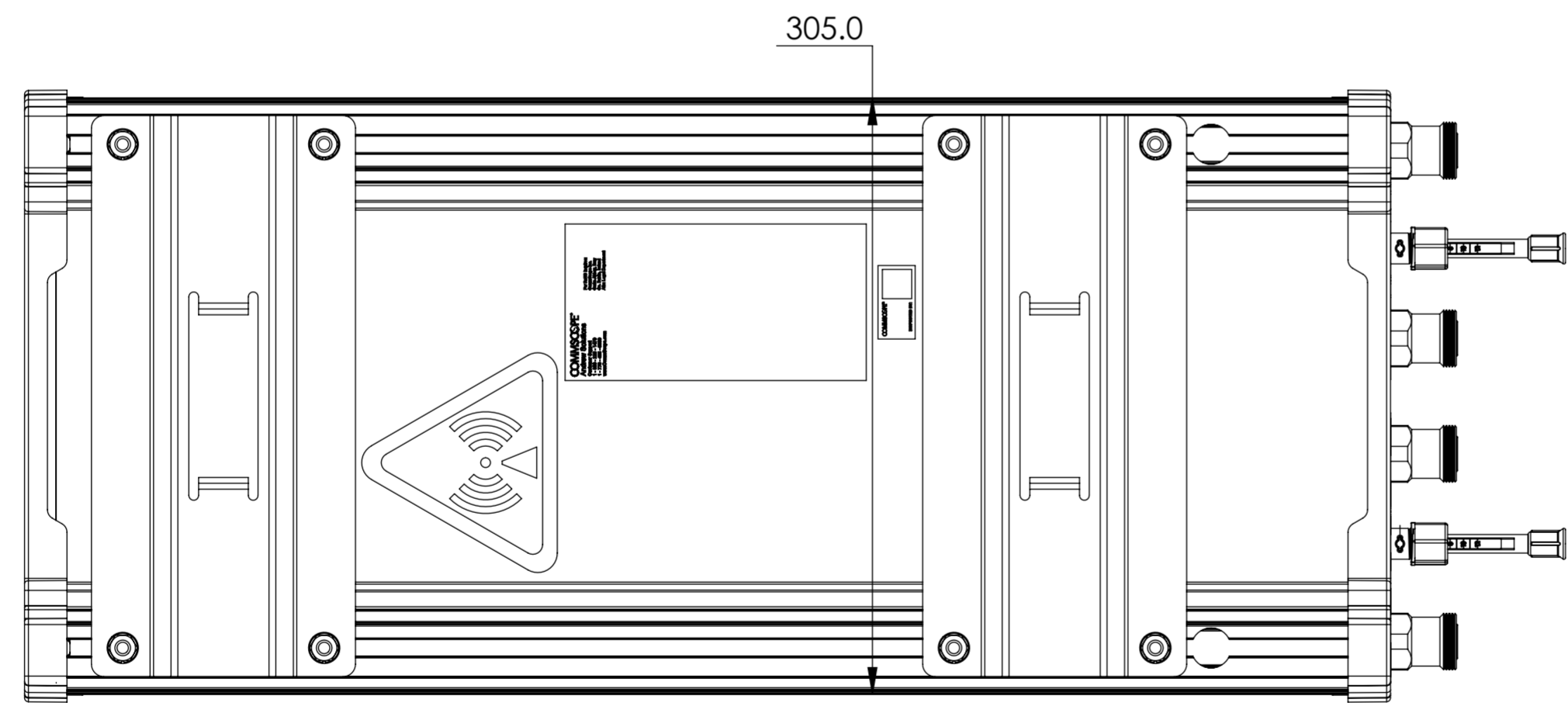
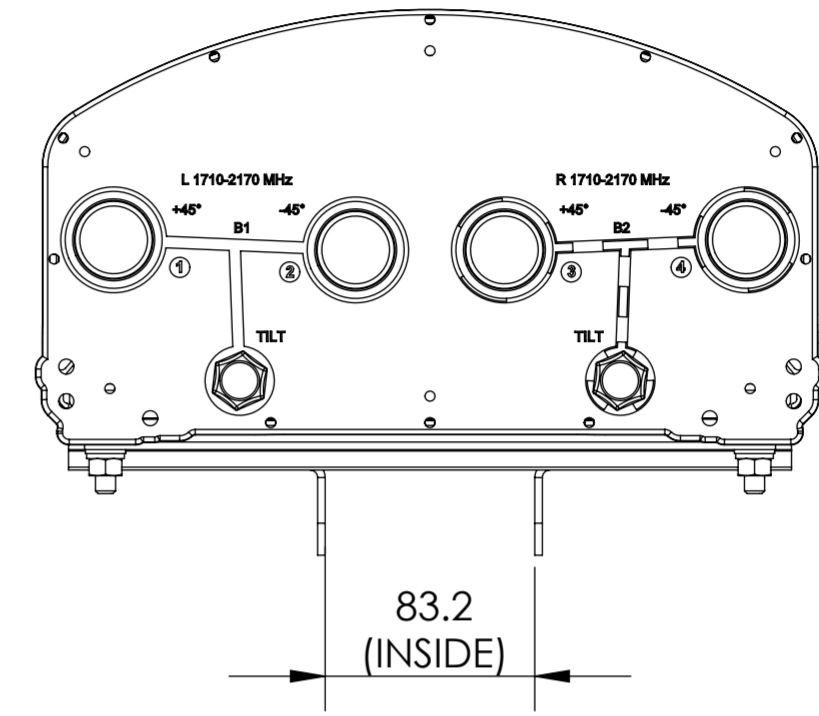
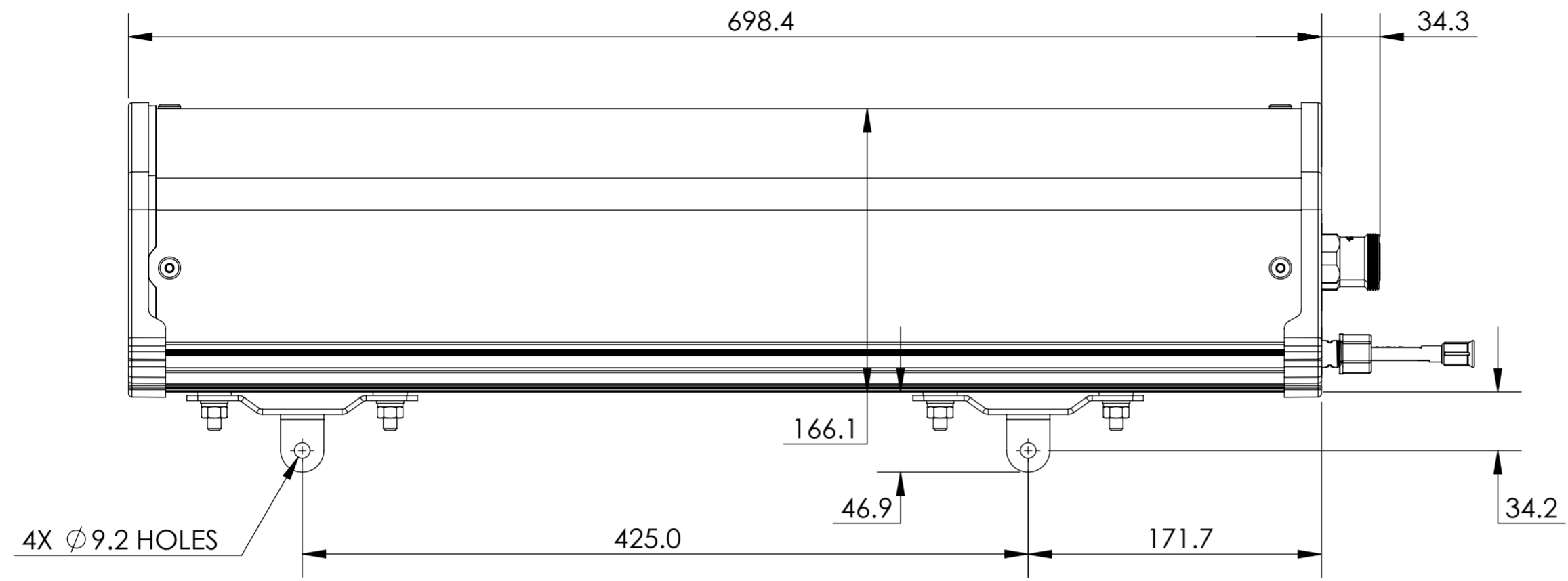


NOTES:

REVISIONS			
REV	DESCRIPTION	DATE	APPROVED
A	ECR 5076194: REL TO PRODUCTION.	22OCT10 YMH	GUXU
H	ECR 7006744: UPDATE DRAWING WITH LATEST MODEL.	28JAN13 XHX	S.LIU/GUXU
J	ECR 8000005559: ADD DXF FILE.	27OCT14 ZW	S.LIU/JIHE
K	ECR 8000006209: UPDATE DRAWING.	22DEC14 HH	S.LIU/JIHE
L	ECR 8000013337: UPDATE DRAWING WITH LATEST MODEL.	29APR16 RY	S.LIU/JIHE



HBXX-6513DS-VTM
CBXX-6513DS-VTM

MATERIAL N/A	DENSITY: MASS:	UNLESS OTHERWISE SPECIFIED DIMENSIONS ARE IN MILLIMETERS INTERPRET PER ISO STANDARDS HANDBOOK TECHNICAL DRAWINGS VOLUMES 1 & 2, THIRD EDITION (2002)	WESTCHESTER, IL. 60154 U.S.A.					
FINISH N/A	TOLERANCES 0 PLACE X ± 1 PLACE .X ± 2 PLACE .XX ± ANGLES ± ALL SURFACES ✓	THIRD ANGLE PROJECTION	PRODUCT DRAWING					
			DRAWN BY YMH 22OCT07 ECN 8000013337-O	SIZE A2 CAGE CODE 84147 DOCUMENT NO. HBXX-6513DS-VTM-L				
NOTICE: These drawings and specifications are the proprietary property of ANDREW CORPORATION and may be used only for the specific purpose authorized in writing by Andrew.		AUTH. GROUP 23	MODEL	DRAWING	SHEET			
		VERSION 06	STATUS RE	REVISION G	VERSION 10	STATUS RE	REVISION L	SHEET 1 OF 3

THIRD ANGLE PROJECTION

THIRD ANGLE PROJECTION

4

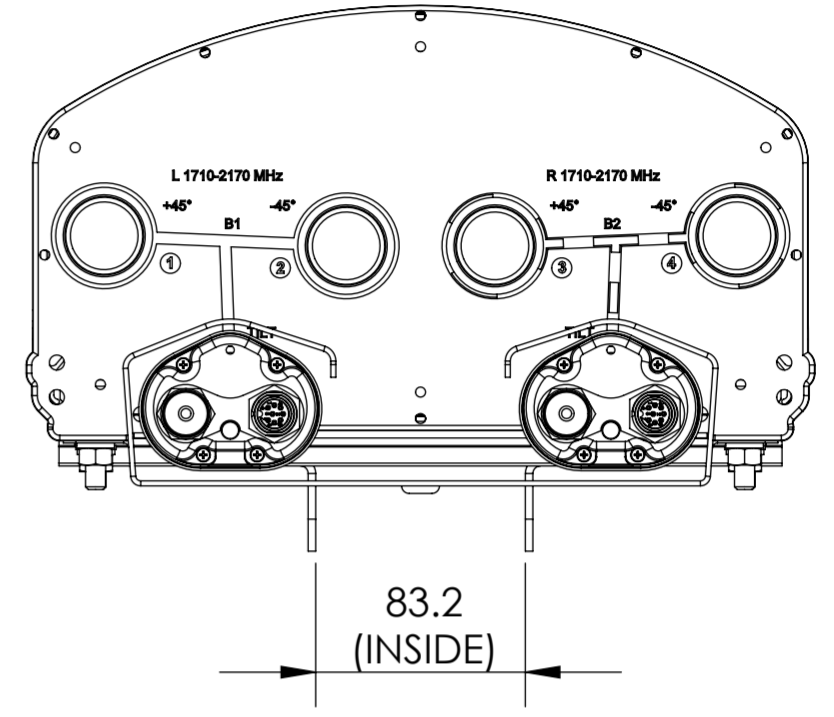
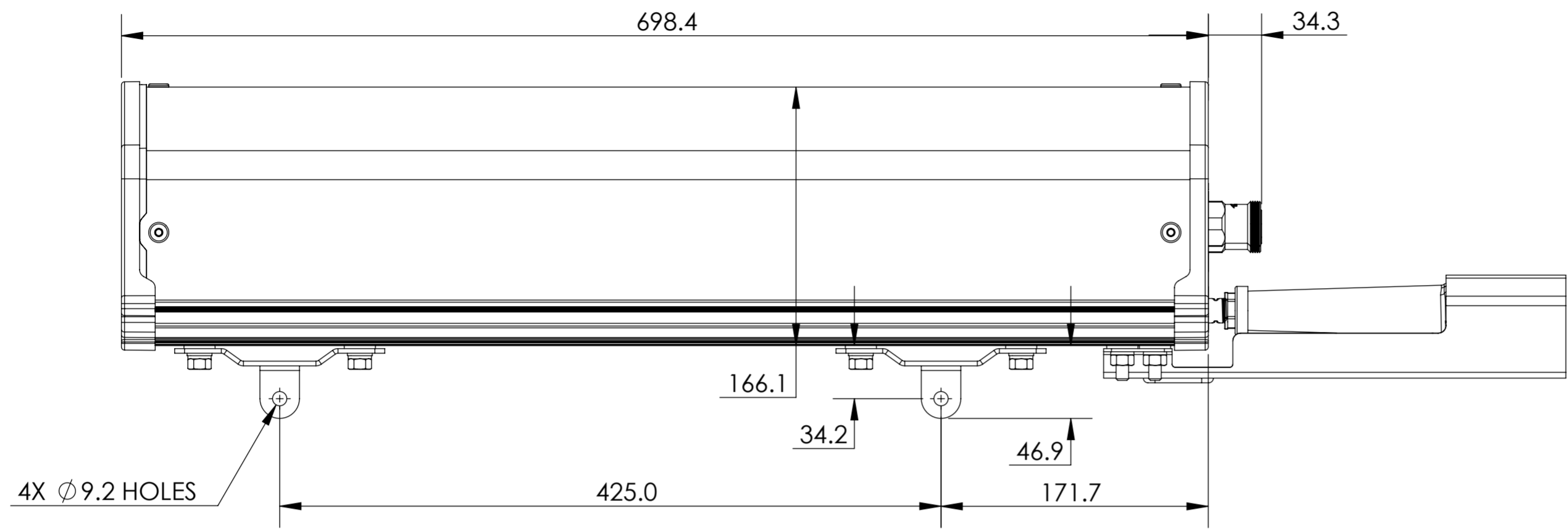
3

2

1

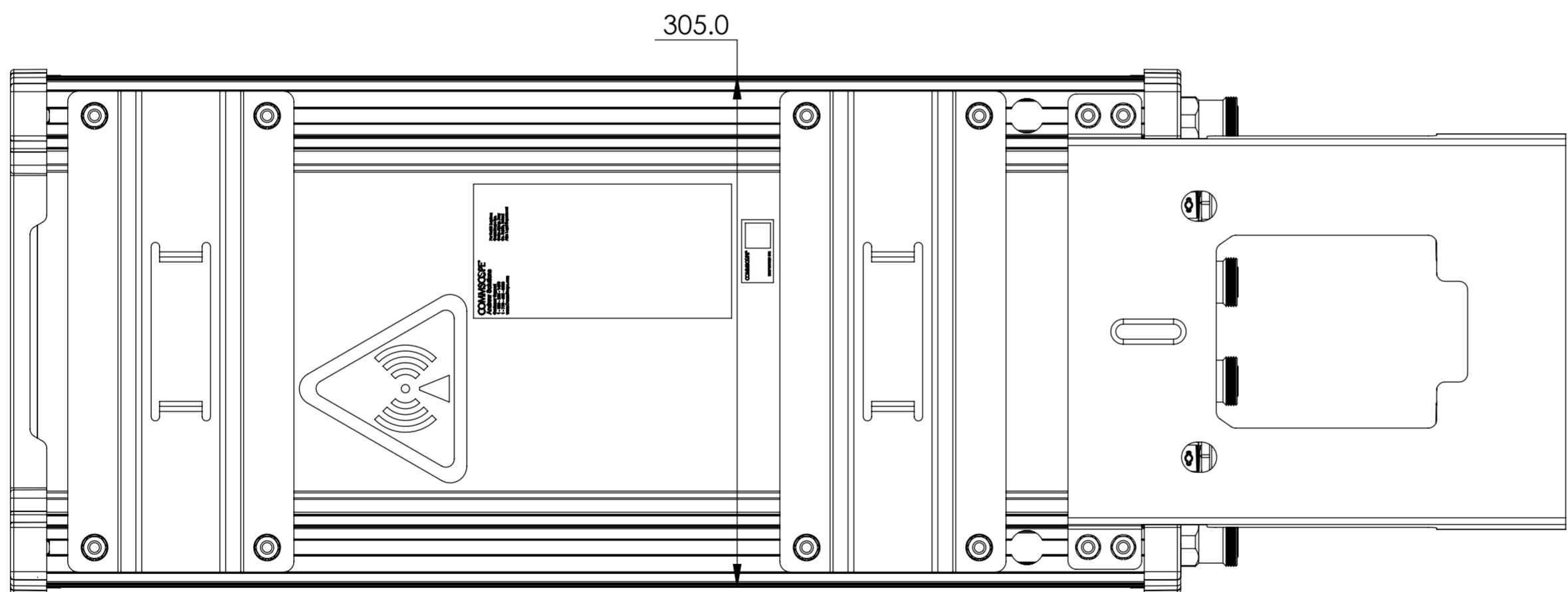
D

D



THIRD ANGLE PROJECTION

THIRD ANGLE PROJECTION



HBXX-6513DS-R2M
 HBXX-6513DS-A2M
 CBXX-6513DS-A2M

A

A

ANDREW WESTCHESTER, IL. 60154
 U.S.A.

PRODUCT DRAWING

THIRD ANGLE PROJECTION		SIZE	CAGE CODE	DOCUMENT NO.			
		A2	84147	HBXX-6513DS-VTM-L	VERSION	STATUS	REVISION
					10	RE	L
					SHEET	2 OF 3	

NOTICE: These drawings and specifications are the proprietary property of ANDREW CORPORATION and may be used only for the specific purpose authorized in writing by Andrew.

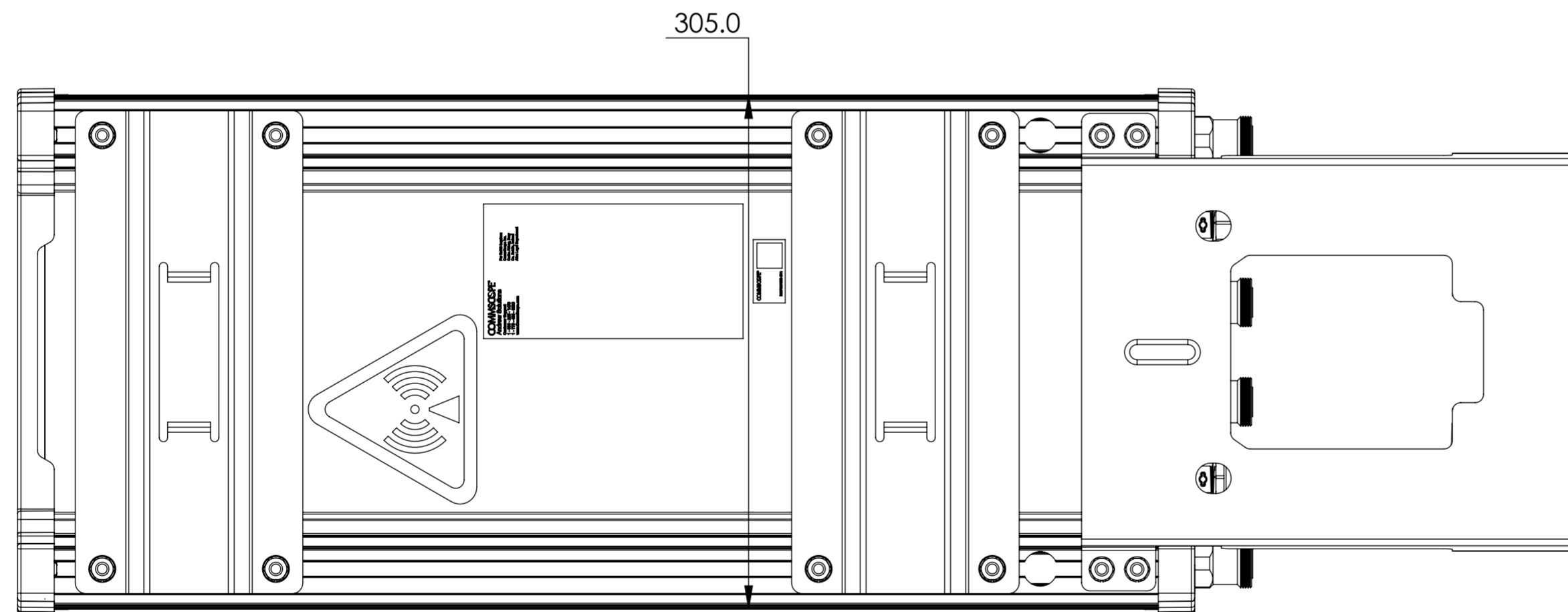
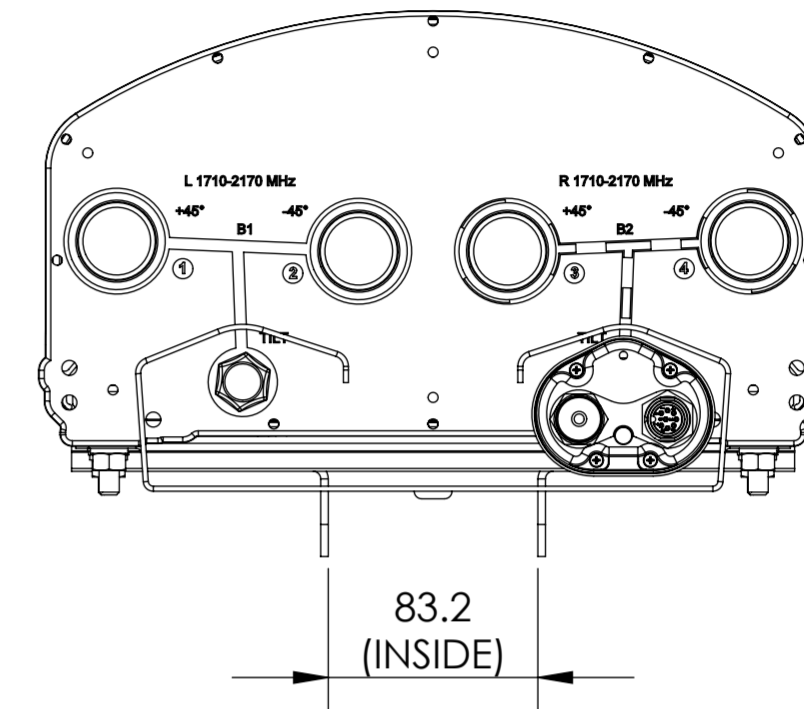
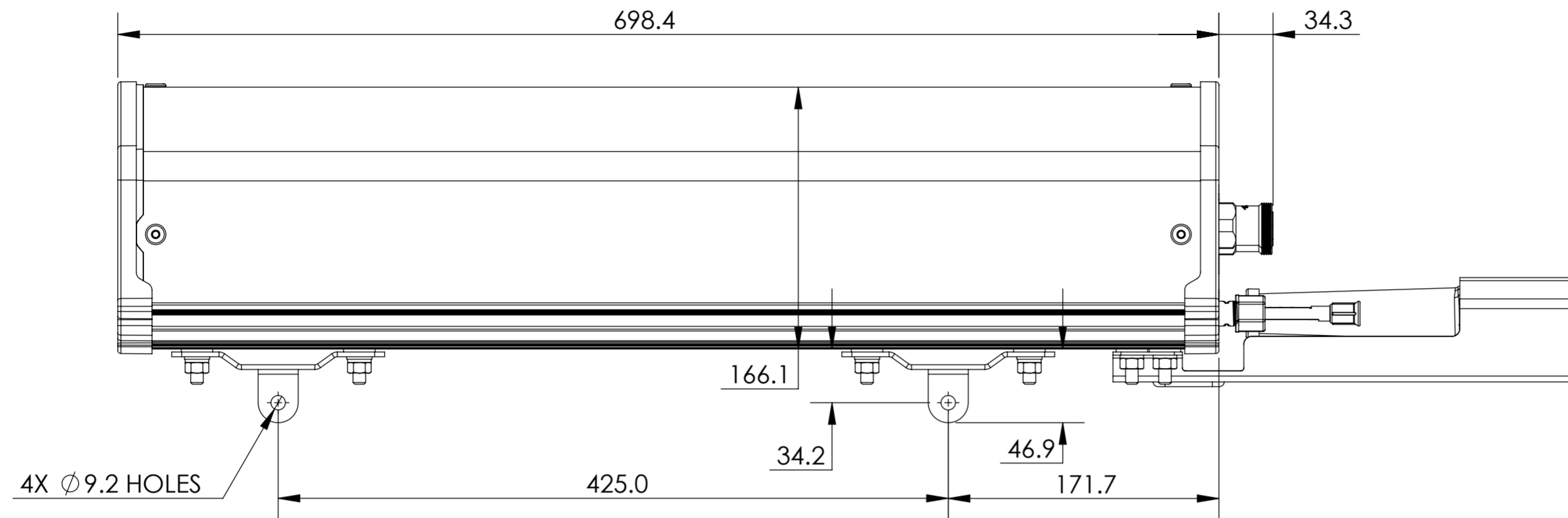
4

3

2

1

THIRD ANGLE PROJECTION



HBXX-6513DS-A1M
 HBXX-6513DS-E1M
 HBXX-6513DS-R1M

ANDREW WESTCHESTER, IL. 60154
 U.S.A.

PRODUCT DRAWING

THIRD ANGLE PROJECTION



SIZE	CAGE CODE	DOCUMENT NO.
A2	84147	HBXX-6513DS-VTM-L

NOTICE: These drawings and specifications are the proprietary property of ANDREW CORPORATION and may be used only for the specific purpose authorized in writing by Andrew.

VERSION	STATUS	REVISION	SHEET
10	RE	L	3 OF 3

3 THIRD ANGLE PROJECTION