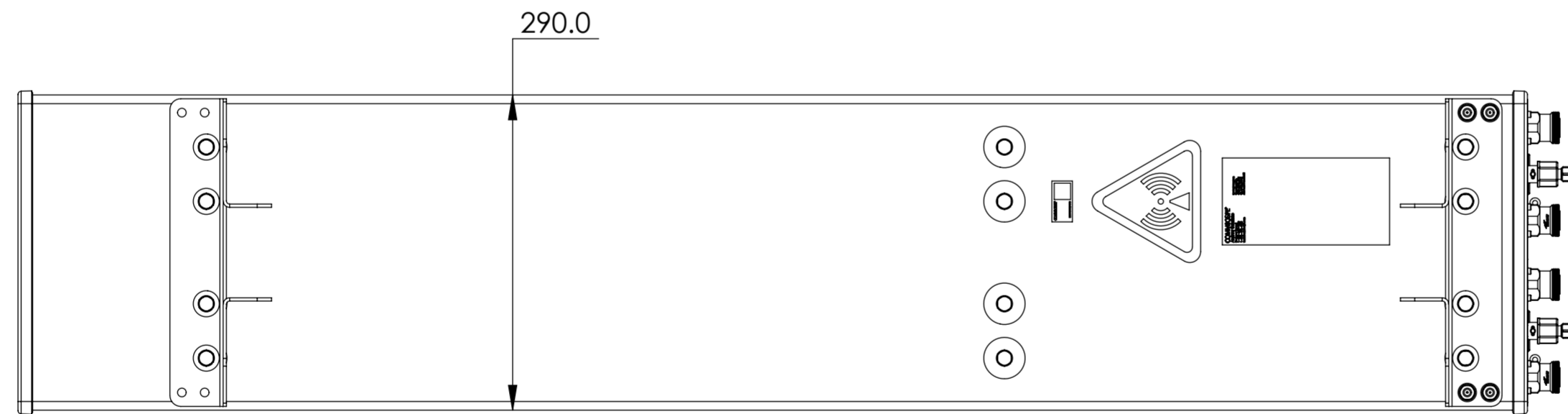
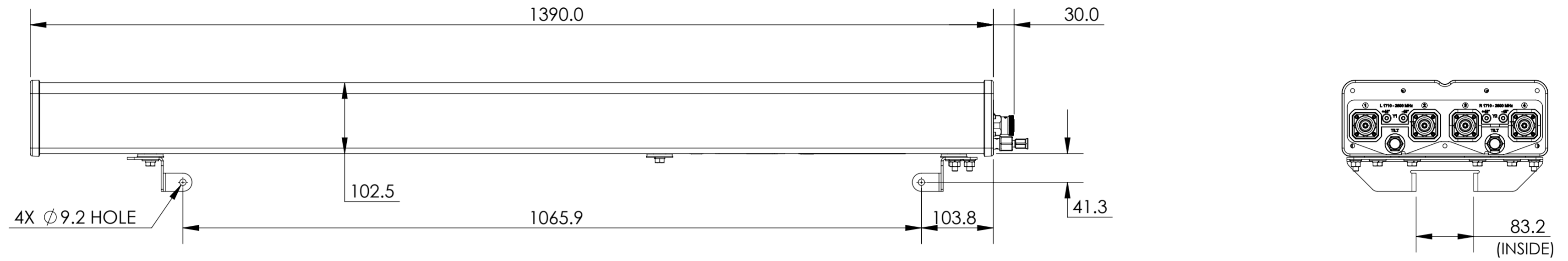


NOTES:

REVISIONS			
REV.	DESCRIPTION	DATE	APPROVED
A	ECR 8000010954: RELEASE TO PRODUCTION PER EAO 603167.	01DEC15 YYC	XHT/AD
B	ECR 8000017022: BOTTOM END CAP UPGRADE.	07NOV16 ZLL	XHT/LHF



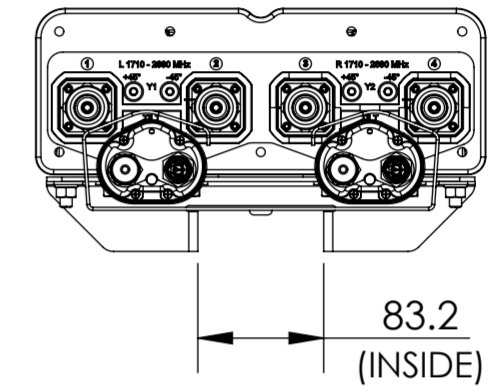
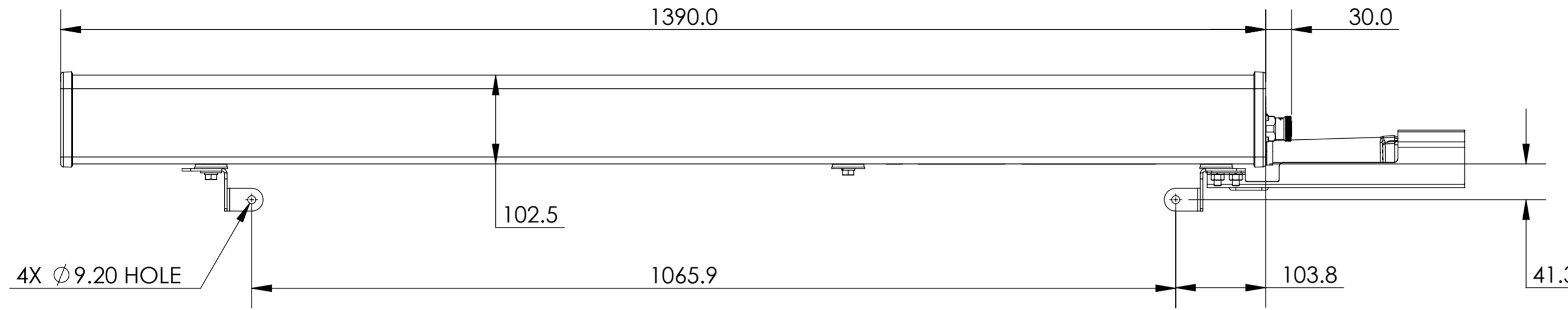
HWXX-6516DS2-VTM

COMMSCOPE, INC. OF NORTH CAROLINA																				
TOLERANCES						SAP MATERIAL MASTER														
0 PLACE X ±			2 PLACE .XX ±			1 PLACE .X ±			ANGLES ±											
FINISH N/A						MATERIAL N/A														
<small>UNLESS OTHERWISE SPECIFIED DIMENSIONS ARE IN MILLIMETERS INTERPRET PER ISO STANDARDS HANDBOOK TECHNICAL DRAWINGS VOLUMES 1 & 2, THIRD EDITION (2002)</small>																				
												NAME			DATE			TITLE		
CE YY1004			08/20/2015			PRODUCT DRAWING														
RW LZ1043			11/07/2016																	
RV XT1003			11/08/2016																	
AD CL1042			11/08/2016																	
RE BYUAN			11/08/2016																	
ECN 8000017022-O																				
SCALE 1:5			DOCUMENT NO. HWXX-6516DS2-VTM-L																	
SIZE A2			WORK AREA 23			MODEL			DRAWING			SHEET								
VERSION 01			STATUS RE			REVISION B			VERSION 01			STATUS RE			REVISION B			SHEET 1 OF 2		

DENSITY	g/mm ³
MASS	grams
VOLUME	mm ³
SURFACE AREA	mm ²
HEIGHT	
LENGTH	
WIDTH	

© 2015 CommScope, Inc.

NOTES:



HWXX-6516DS2-A2M

COMMSCOPE, INC. OF NORTH CAROLINA				
TITLE PRODUCT DRAWING				
SIZE A2	SCALE 1:5	DOCUMENT NO. HWXX-6516DS2-VTM-L		
DRAWING				SHEET
VERSION 01	STATUS RE	REVISION B	2 OF 2	

© 2015 CommScope, Inc.