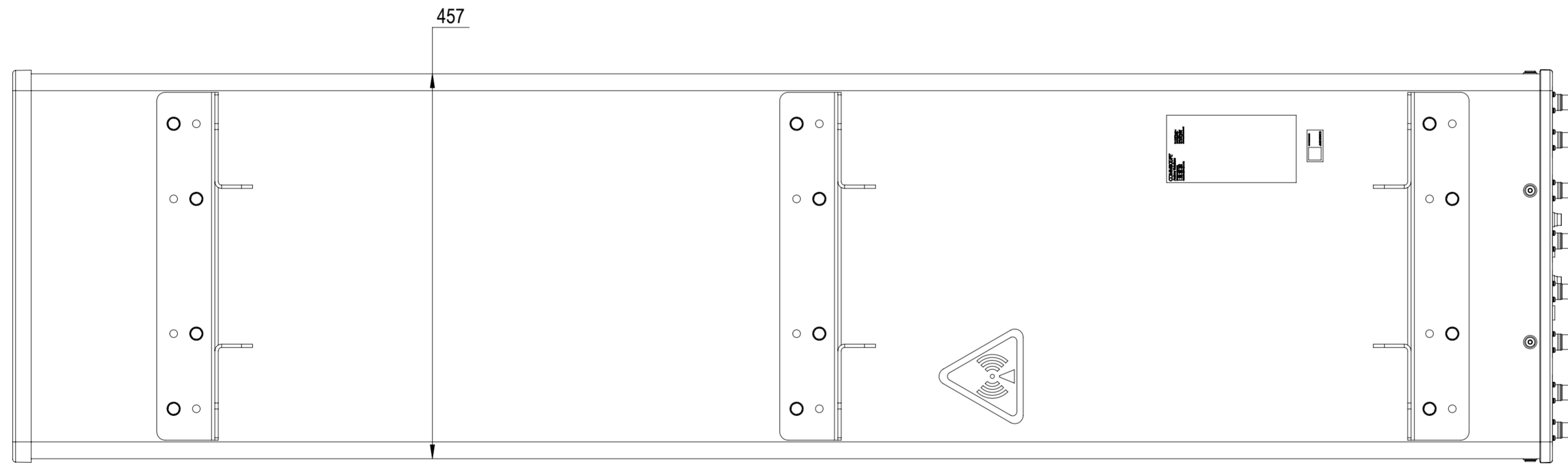
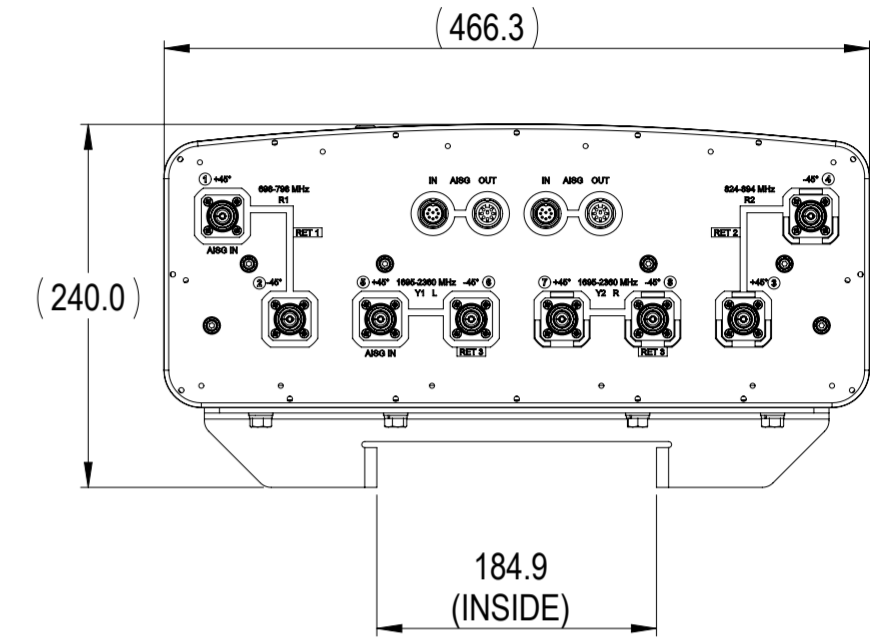
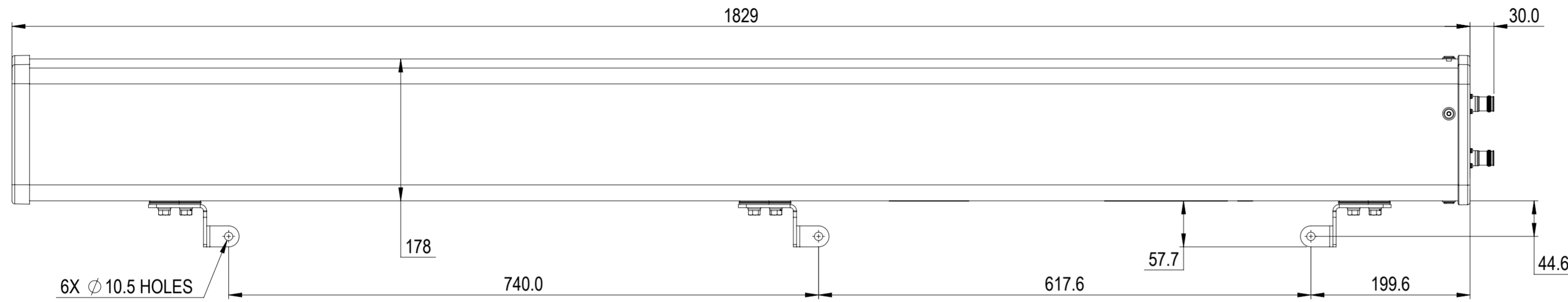


NOTES:

REVISIONS			
REV.	DESCRIPTION	DATE	APPROVED
A	ECR 8000017095: RELEASE TO PRODUCTION PER EAO 603452.	08FEB17 HWN	LHL / LCL
B	ECR 8000022680: RADOME ASSY REVISION UPGRADE.	03MAY17 QW	LHL / LCL



JAHH-45B-R3B

COMMSCOPE, INC. OF NORTH CAROLINA

TOLERANCES		SAP MATERIAL MASTER															
0 PLACE X ±	2 PLACE .XX ±																
1 PLACE .X ±	ANGLES ±																
FINISH		MATERIAL															
UNLESS OTHERWISE SPECIFIED DIMENSIONS ARE IN MILLIMETERS INTERPRET PER ISO STANDARDS HANDBOOK TECHNICAL DRAWINGS, VOLUMES 1 & 2, THIRD EDITION (2002)		<table border="1"> <thead> <tr> <th>NAME</th> <th>DATE</th> <th>TITLE</th> </tr> </thead> <tbody> <tr> <td>CE HWN</td> <td>08/02/2017</td> <td rowspan="5">PRODUCT DRAWING</td> </tr> <tr> <td>RW QW1003</td> <td>05/03/2017</td> </tr> <tr> <td>RV AL1012</td> <td>05/03/2017</td> </tr> <tr> <td>AD CL1042</td> <td>05/03/2017</td> </tr> <tr> <td>RE BYUAN</td> <td>05/04/2017</td> </tr> </tbody> </table>		NAME	DATE	TITLE	CE HWN	08/02/2017	PRODUCT DRAWING	RW QW1003	05/03/2017	RV AL1012	05/03/2017	AD CL1042	05/03/2017	RE BYUAN	05/04/2017
NAME	DATE	TITLE															
CE HWN	08/02/2017	PRODUCT DRAWING															
RW QW1003	05/03/2017																
RV AL1012	05/03/2017																
AD CL1042	05/03/2017																
RE BYUAN	05/04/2017																
ECN 8000022680-O		SCALE 1:5	DOCUMENT NO. JAHH-45B-R3B-L														
SIZE WORK AREA 23		MODEL															
A2		VERSION 01	STATUS RE														
		REVISION B	DRAWING														
		VERSION 01	STATUS RE														
		REVISION B	REVISION B														
		SHEET 1 OF 1															

DENSITY	g/mm <sup>3</sup>
MASS	grams
VOLUME	mm <sup>3</sup>
SURFACE AREA	mm <sup>2</sup>
HEIGHT	
LENGTH	
WIDTH	

© 2017 CommScope, Inc.