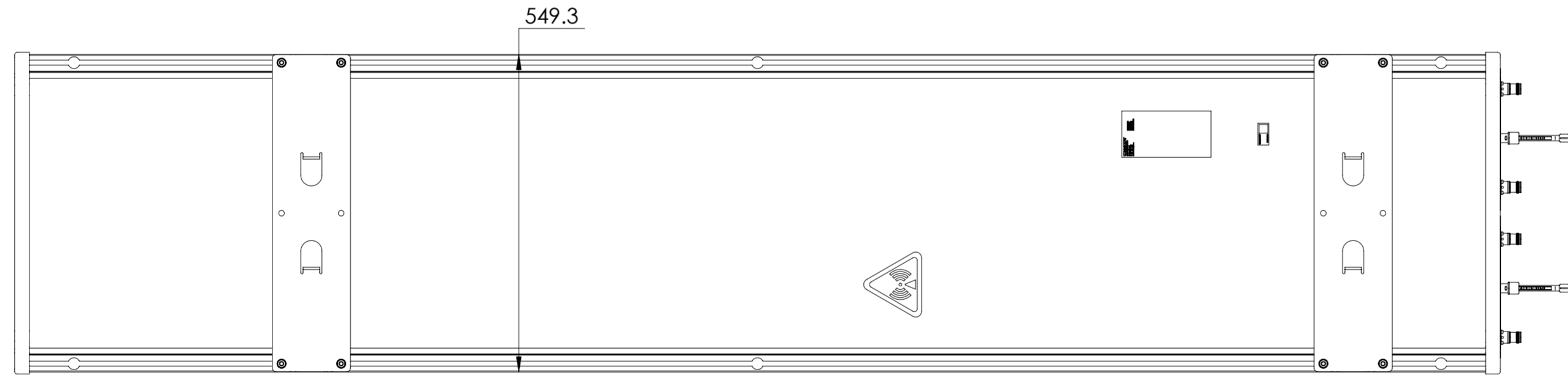
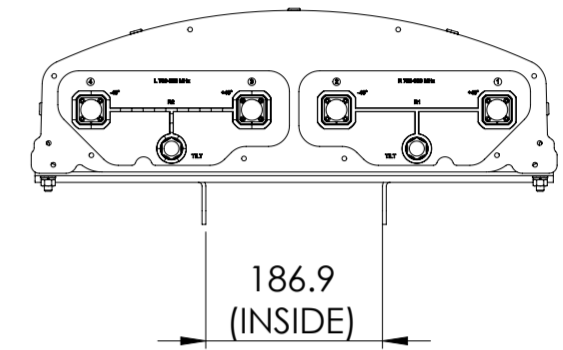
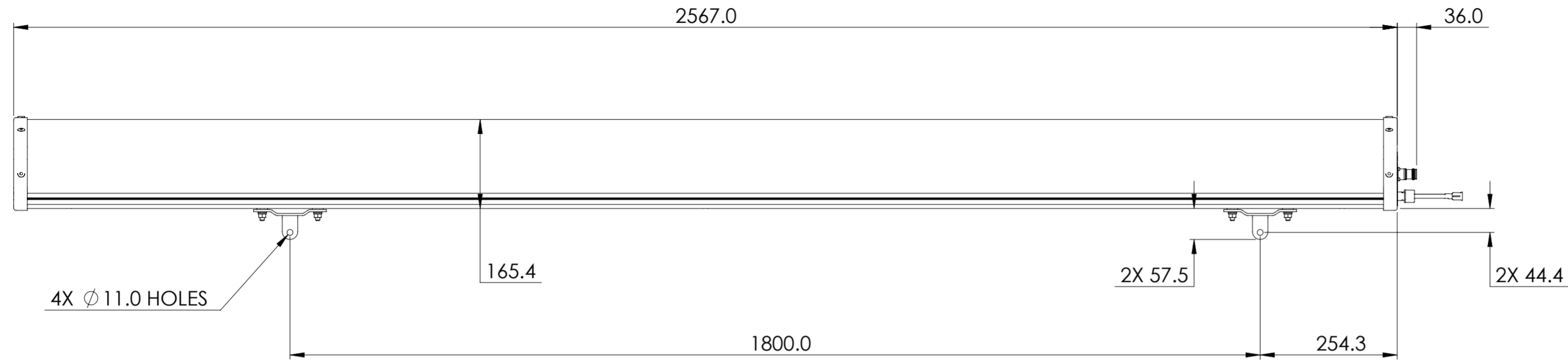


NOTES:

REVISIONS			
REV.	DESCRIPTION	DATE	APPROVED
A	ECR 8000014637: RELEASE TO PRODUCTION PER EAO 603281.	22JUN16 XW	THD/SINOW



LDXX-6516DS-VTM

COMMSCOPE, INC. OF NORTH CAROLINA

TOLERANCES		SAP MATERIAL MASTER	
0 PLACE X ±	2 PLACE .XX ±		
1 PLACE .X ±	ANGLES ±		
FINISH		MATERIAL	
<small>UNLESS OTHERWISE SPECIFIED DIMENSIONS ARE IN MILLIMETERS INTERPRET PER ISO STANDARDS HANDBOOK TECHNICAL DRAWINGS VOLUMES 1 & 2, THIRD EDITION (2002)</small>		NAME	DATE
		CE XW	06/21/2016
		RW WX1009	06/22/2016
		RV BD8000	06/23/2016
		AD ZD1007	06/23/2016
RE LONEWSOM	06/24/2016	TITLE	
ECN 8000014637-O		PRODUCT DRAWING	
SCALE 1:8		DOCUMENT NO. LDX-6516DS-VTM-C3-L	
SIZE A2	WORK AREA 23	MODEL	
		VERSION 00	STATUS RE
		REVISION A	VERSION 00
		DRAWING	
		STATUS RE	REVISION A
SHEET 1 OF 1			

DENSITY	g/mm ³
MASS	grams
VOLUME	mm ³
SURFACE AREA	mm ²
HEIGHT	
LENGTH	
WIDTH	