

8

7

6

5

4

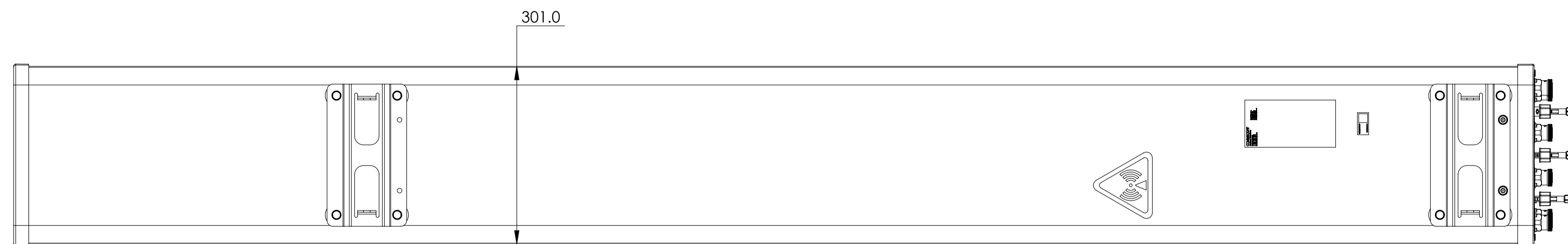
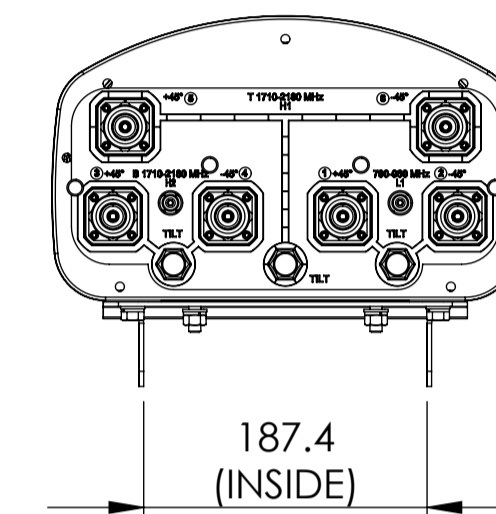
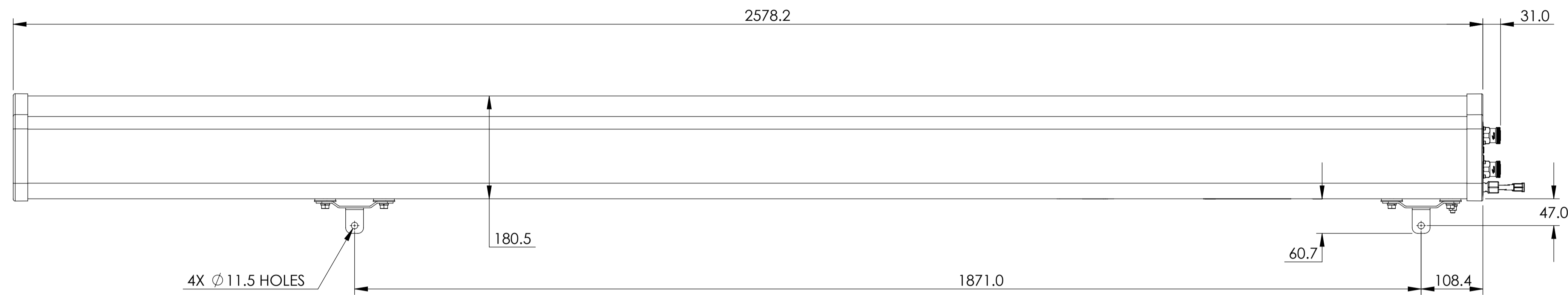
3

2

1

NOTES:

REVISIONS			
REV	DESCRIPTION	DATE	APPROVED
A	ECR 5101728: REL TO PRODUCTION.	12JUL12	JSL FJB GJM
E	ECR 800000803: ADD MBDHH-65CT-AHM.	19JUN13 XHX	S.LIU/JIHE
F	ECR 8000001130: ADD MBDHH-65CT-VTM.	25JUL13 DYT	S.LIU/JIHE
G	ECR 8000005009: ADD DXF FILE.	09SEP14 HWW	S.LIU/JIHE
H	ECR 8000013354: UPDATE DRAWING WITH LATEST MODEL.	22APR16 LS	S.LIU/JIHE



MBDHH-65C-VTM
MBDHH-65CT-VTM

MATERIAL N/A	DENSITY:	UNLESS OTHERWISE SPECIFIED DIMENSIONS ARE IN MILLIMETERS INTERPRET PER ISO STANDARDS HANDBOOK, TECHNICAL DRAWINGS, VOLUMES 1 & 2, THIRD EDITION (2002)	WESTCHESTER, IL. 60154 U.S.A.	
	MASS:		ANDREW®	
FINISH N/A	TOLERANCES		THIRD ANGLE PROJECTION	
	0 PLACE X±	1 PLACE .X±	2 PLACE .XX±	ANGLES ±
ALL SURFACES ✓		DRAWN BY JLS 12JUL12	SIZE A1	CAGE CODE 84147
NOTICE: These drawings and specifications are the proprietary property of ANDREW CORPORATION and may be used only for the specific purpose authorized in writing by Andrew.		ECN 8000013354-O	MODEL	DOCUMENT NO. MBDHH-65C-VTM-L
		AUTH. GROUP 23	VERSION 04	STATUS RE
			REVISION E	VERSION 07
				STATUS RE
				REVISION H
				SHEET 1 OF 4

8

7

6

5

4

3

2

1

8

7

6

5

4

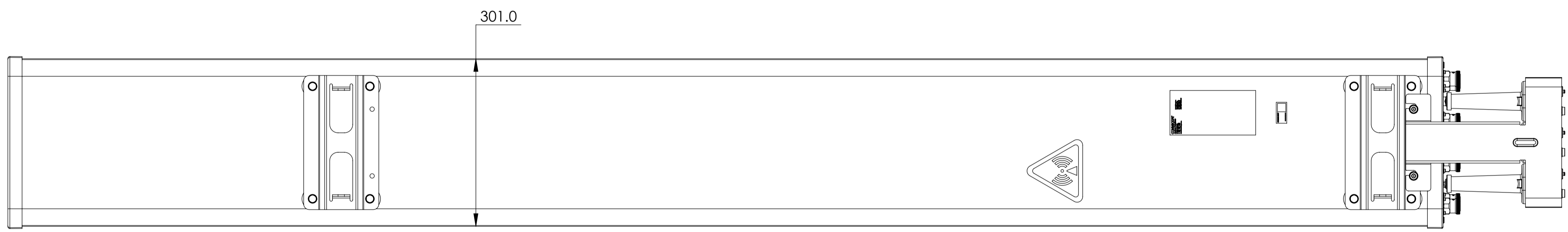
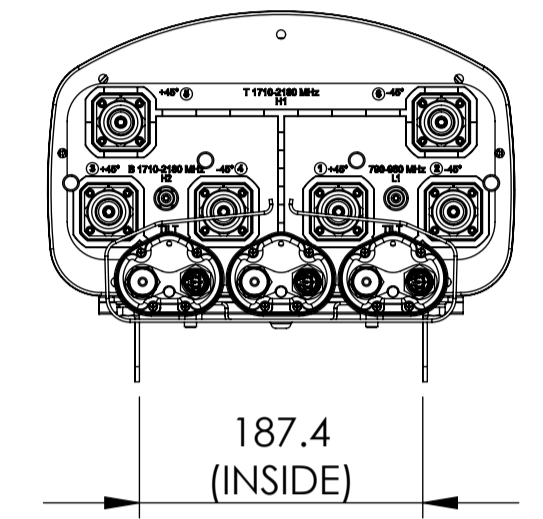
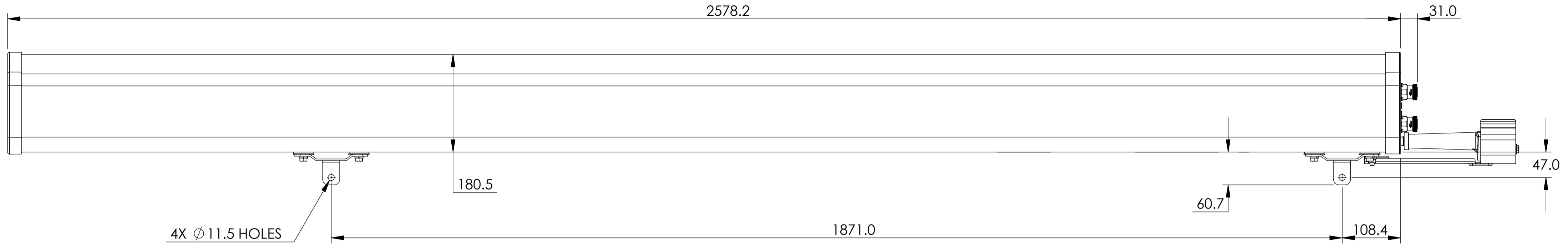
3

2

1

D

D



MBDHH-65C-R2M
 MBDHH-65C-A3M

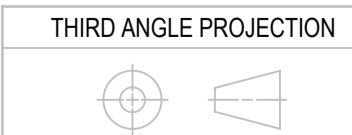
THIRD ANGLE PROJECTION

A

A

ANDREW WESTCHESTER, IL. 60154
 U.S.A.

PRODUCT DRAWING



SIZE	CAGE CODE	DOCUMENT NO.
A1	84147	MBDHH-65C-VTM-L

VERSION	STATUS	REVISION	SHEET
07	RE	H	2 OF 4

NOTICE: These drawings and specifications are the proprietary property of ANDREW CORPORATION and may be used only for the specific purpose authorized in writing by Andrew.

8

7

6

THIRD ANGLE PROJECTION

3

2

1

8

7

6

5

4

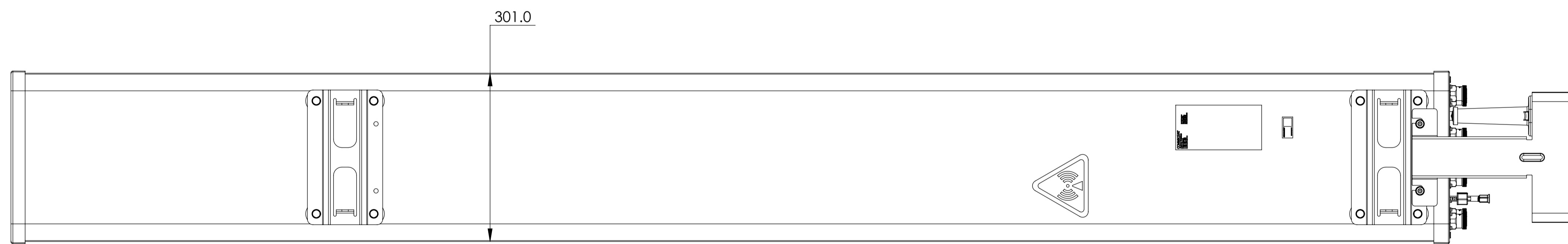
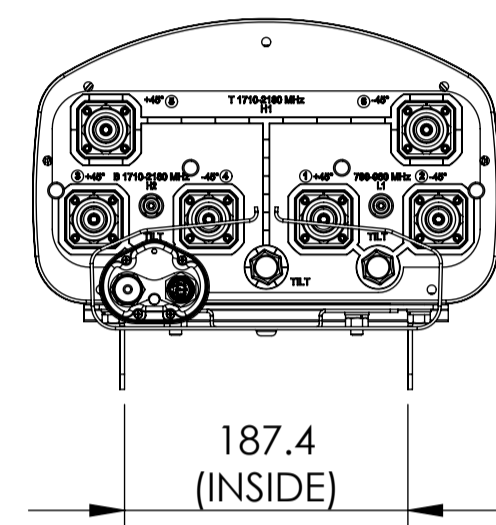
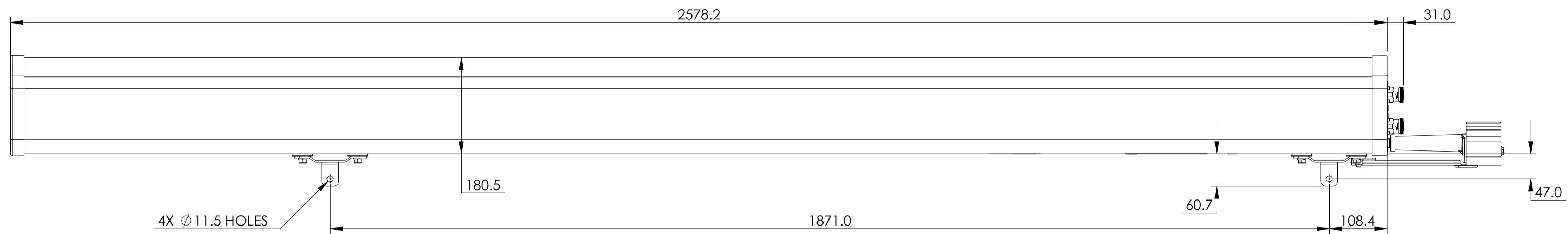
3

2

1

D

D



MBDHH-65C-AHM
 MBDHH-65CT-AHM

THIRD ANGLE PROJECTION

A

A

8

7

6

THIRD ANGLE PROJECTION

3

2

1

ANDREW WESTCHESTER, IL. 60154
 U.S.A.

PRODUCT DRAWING

THIRD ANGLE PROJECTION



SIZE **A1** CAGE CODE **84147**

DOCUMENT NO. **MBDHH-65C-VTM-L**

NOTICE: These drawings and specifications are the proprietary property of ANDREW CORPORATION and may be used only for the specific purpose authorized in writing by Andrew.

VERSION	STATUS	REVISION	SHEET
07	RE	H	3 OF 4

8

7

6

5

4

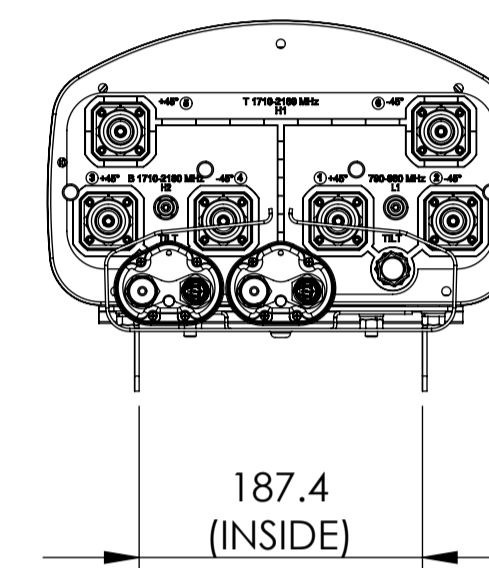
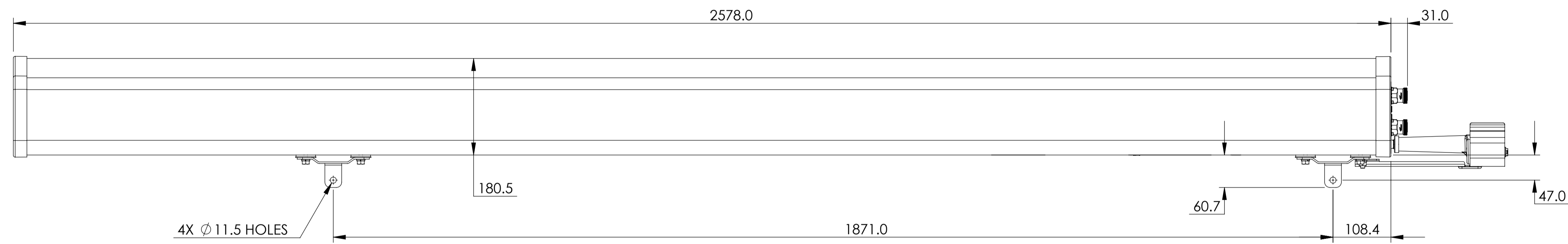
3

2

1

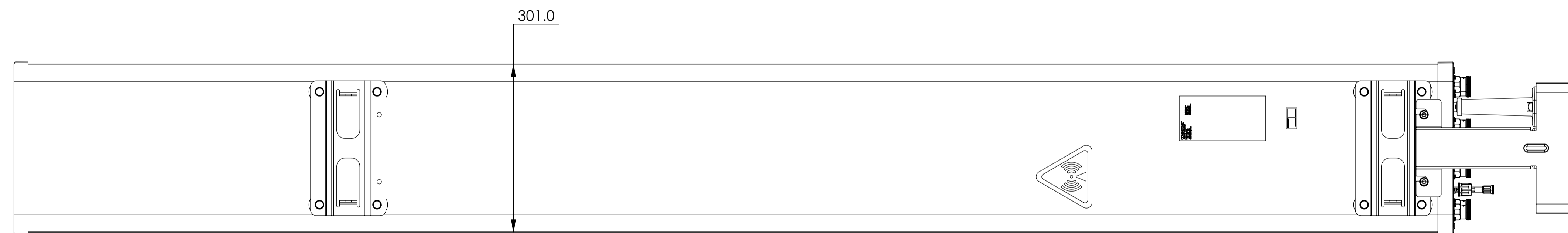
D

D



C

THIRD ANGLE PROJECTION



B

MBDHH-65C-AHHM

A

A

ANDREW WESTCHESTER, IL. 60154
U.S.A.

PRODUCT DRAWING

THIRD ANGLE PROJECTION



SIZE **A1** CAGE CODE **84147**

DOCUMENT NO. **MBDHH-65C-VTM-L**

NOTICE: These drawings and specifications are the proprietary property of ANDREW CORPORATION and may be used only for the specific purpose authorized in writing by Andrew.

VERSION	STATUS	REVISION	SHEET
07	RE	H	4 OF 4

8

7

6

THIRD ANGLE PROJECTION

3

2

1