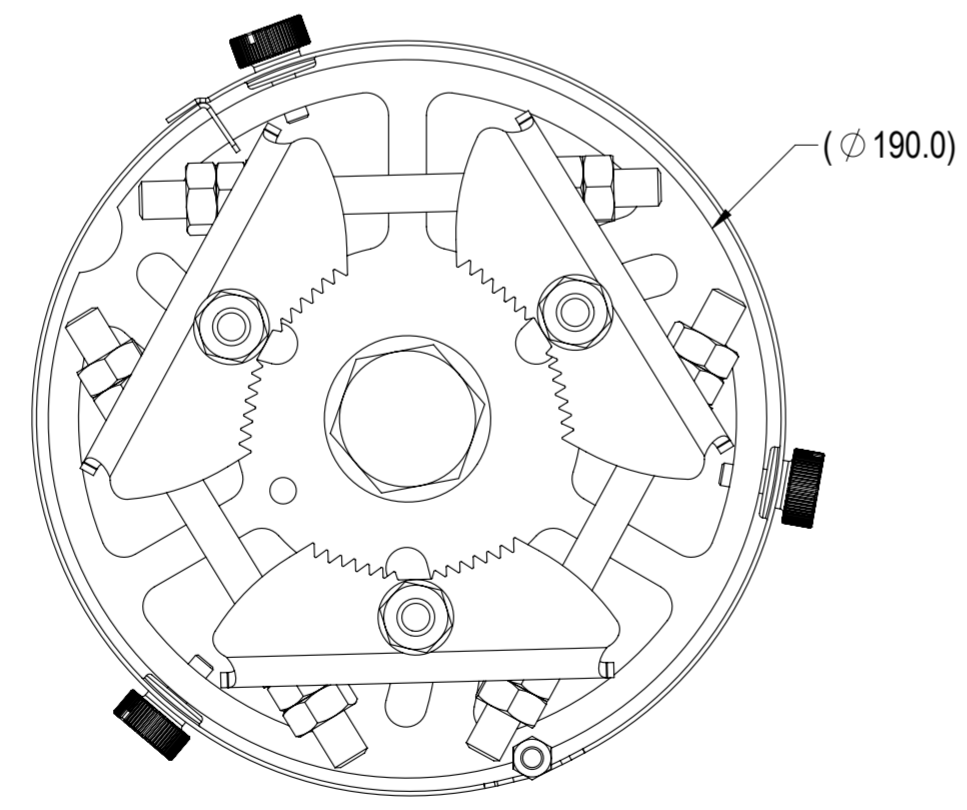
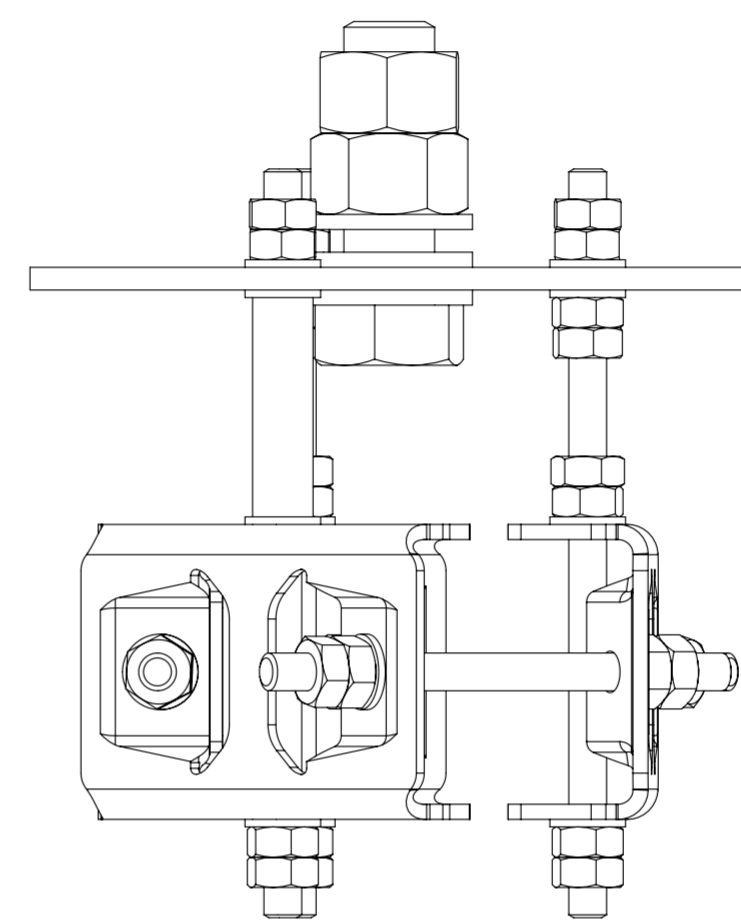
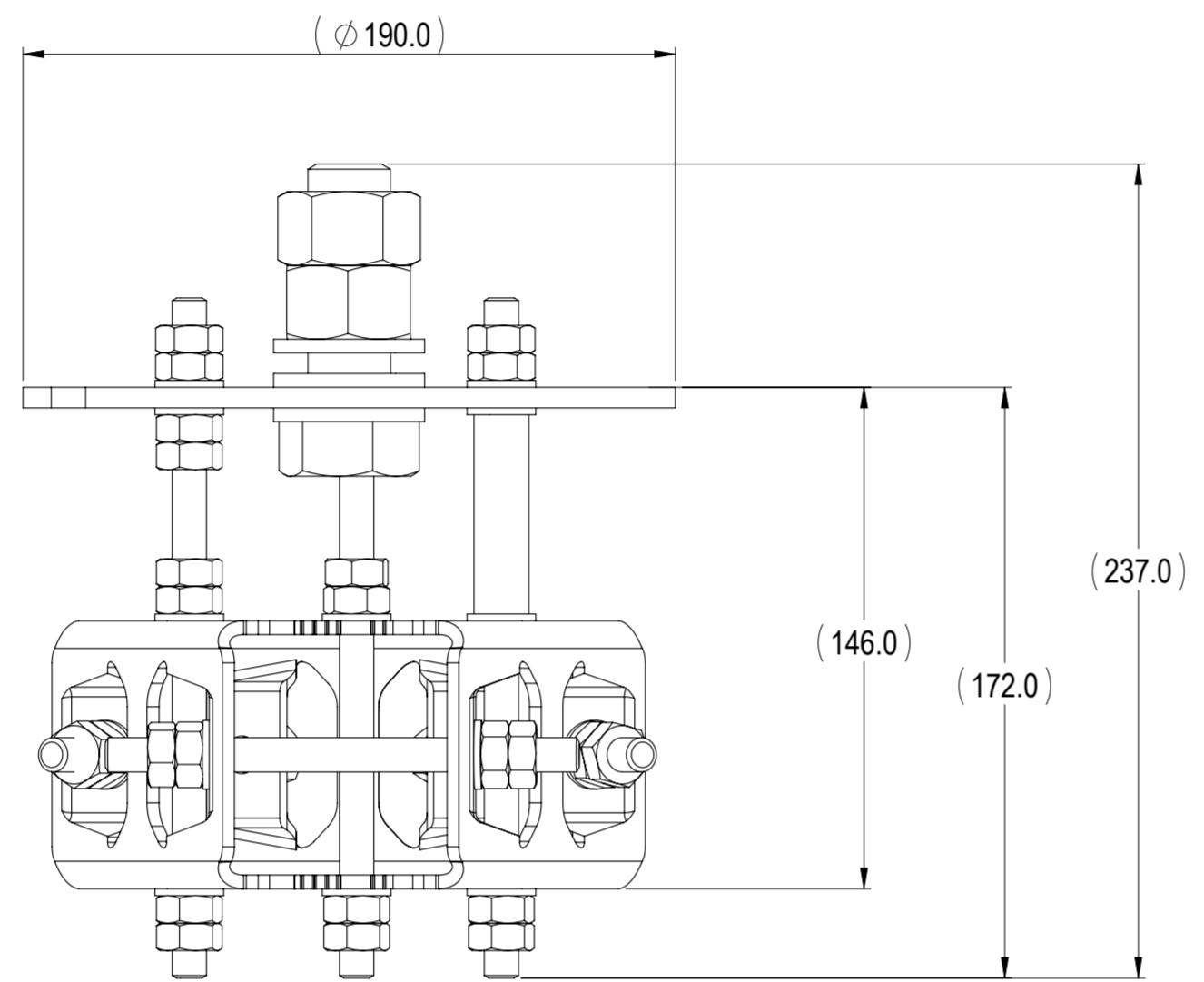


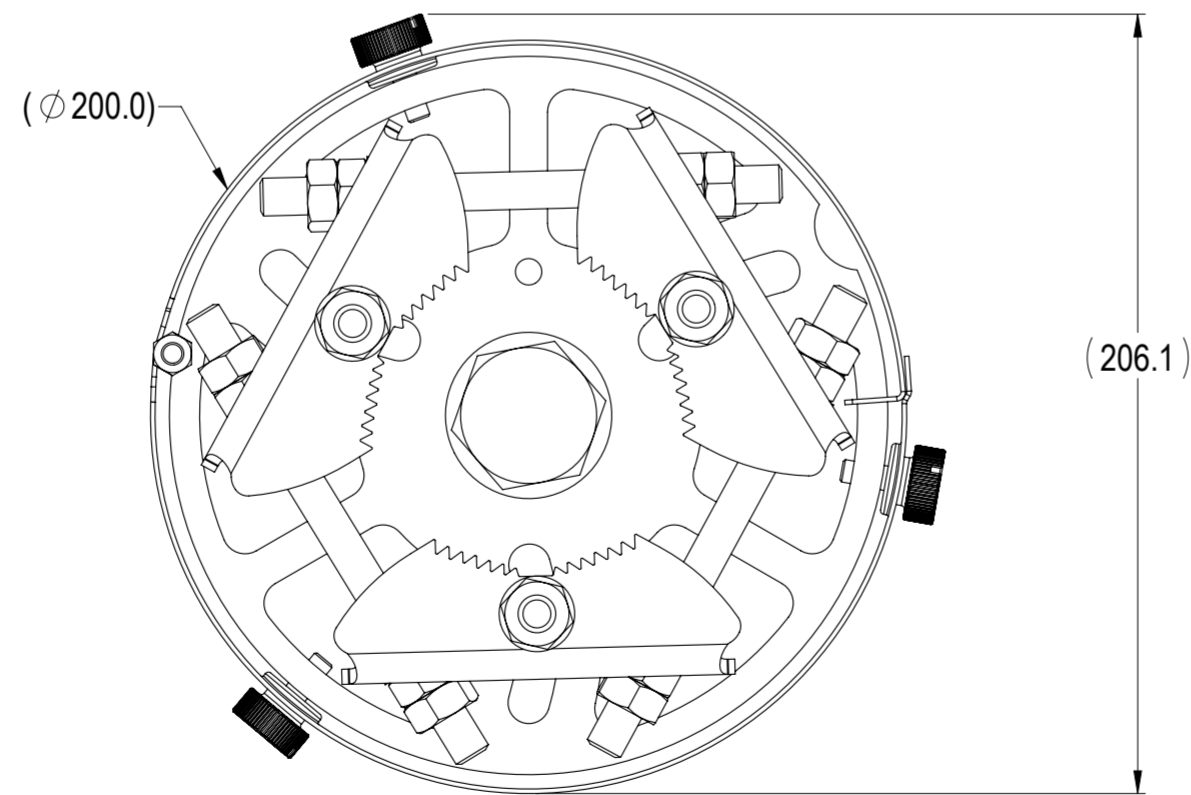
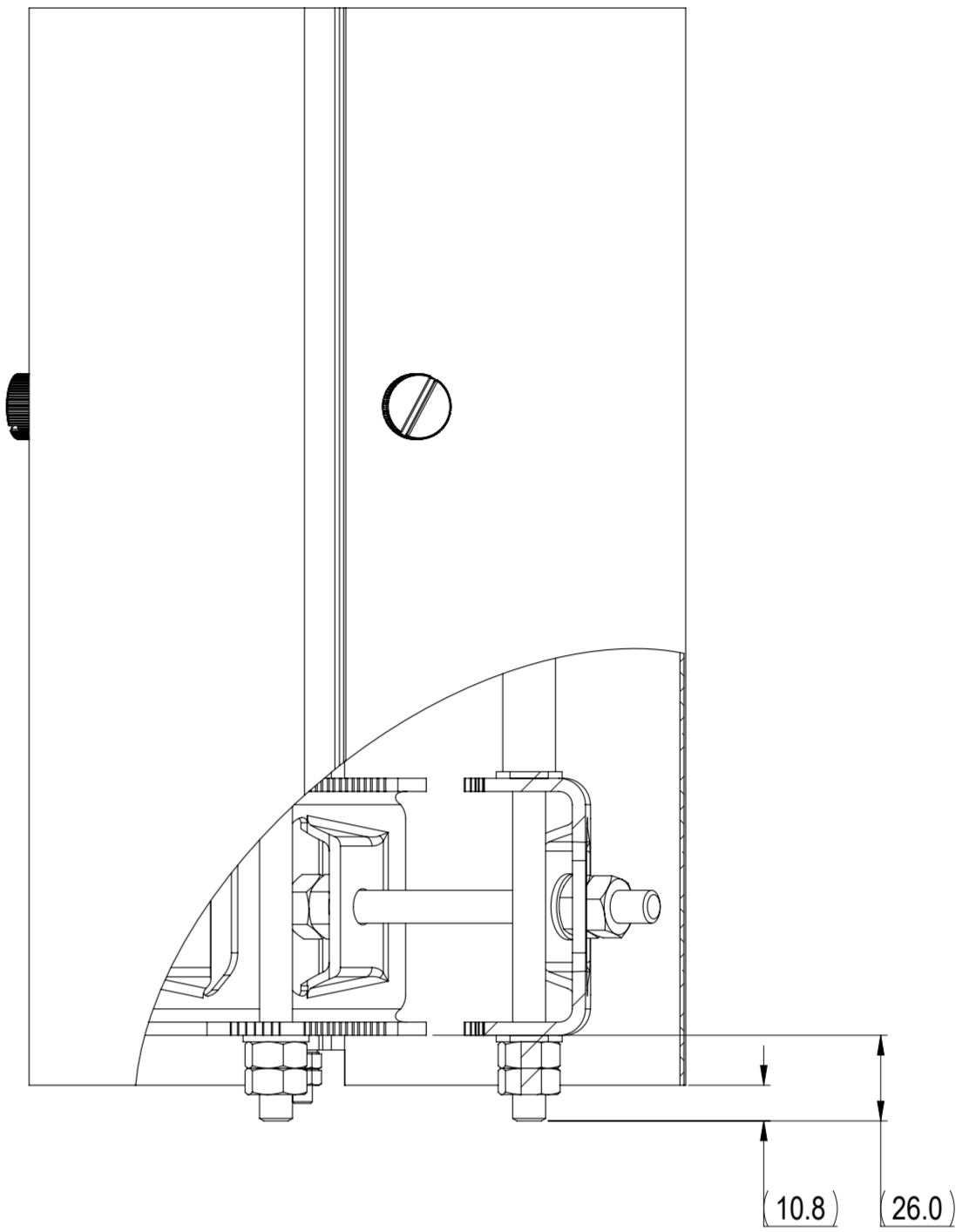
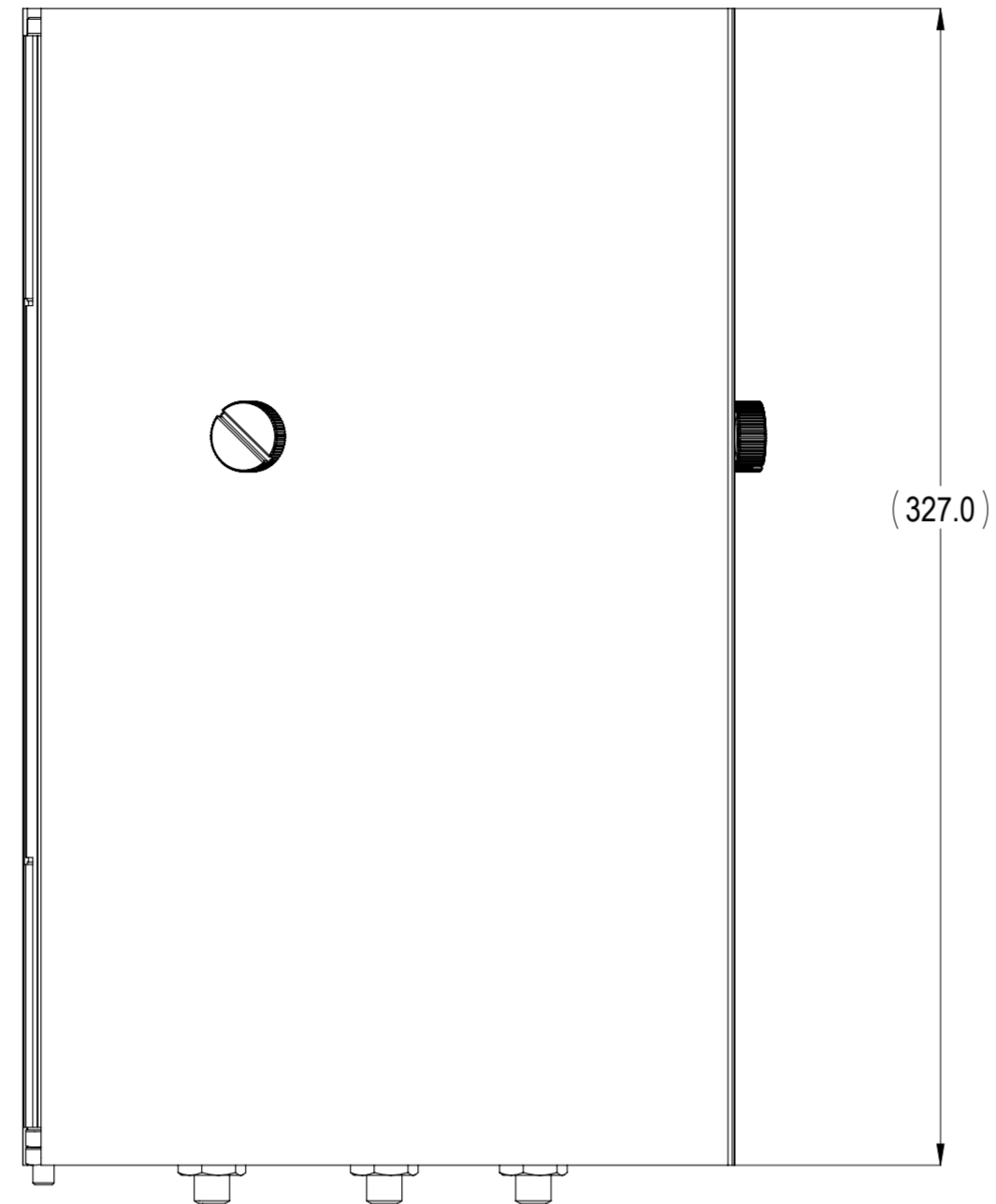
REVISIONS			
REV.	DESCRIPTION	DATE	APPROVED
A	ECR 8000037185: REL TO PRODUCTION.	05SEP19 XHX	S.LIU/HANSEN.W



MC-MNT-3XV-TOP
SCALE 1 : 2

COMMSCOPE, INC. OF NORTH CAROLINA											
TOLERANCES						SAP MATERIAL MASTER					
0 PLACE X ±		2 PLACE .XX ±									
1 PLACE .X ±		ANGLES ±									
FINISH N/A						MATERIAL N/A					
PRODUCT DRAWING											
<small>UNLESS OTHERWISE SPECIFIED DIMENSIONS ARE IN MILLIMETERS INTERPRET PER ISO STANDARDS HANDBOOK TECHNICAL DRAWINGS VOLUMES 1 & 2, THIRD EDITION (2002)</small>											
		NAME		DATE		TITLE					
		CE HX1004		06SEP19							
		RW HX1004		09/06/2019							
		RV CHALIU		09/09/2019							
		AD HW8003		09/10/2019							
		RE ZHHCHEN		09/10/2019							
		ECN 8000037185-O				SCALE 1:2		DOCUMENT NO. MC-MNT-3XV-TOP-L			
DENSITY		g/mm ³		SIZE		WORK AREA		23		MODEL	
MASS		grams		A2		VERSION		01		STATUS	
VOLUME		mm ³				RE		B		DRAWING	
SURFACE AREA		mm ²								VERSION	
										STATUS	
										REVISION	
										A	
HEIGHT										SHEET	
LENGTH										1 OF 2	
WIDTH											

NOTES:



MC-MNT-3XV-TOP
WITH SHROUD COVER
SCALE 1 : 2

COMMSCOPE, INC. OF NORTH CAROLINA				
TITLE PRODUCT DRAWING				
SIZE A2	SCALE 1:2	DOCUMENT NO. MC-MNT-3XV-TOP-L		
		DRAWING		SHEET
		VERSION	STATUS	REVISION
		00	RE	A
				SHEET 2 OF 2