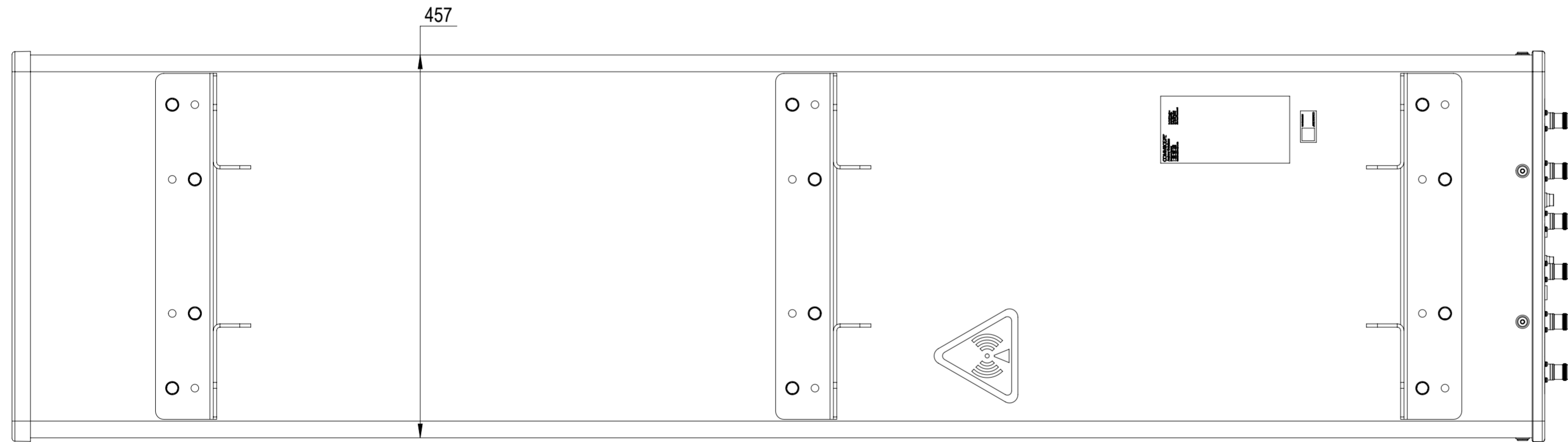
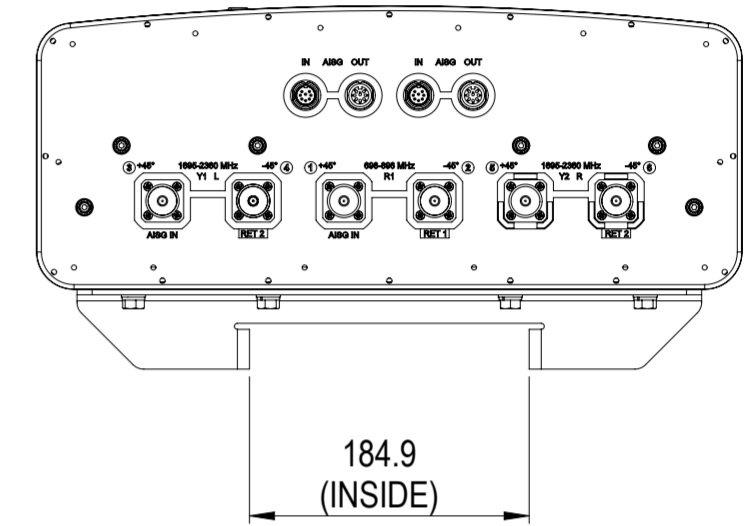
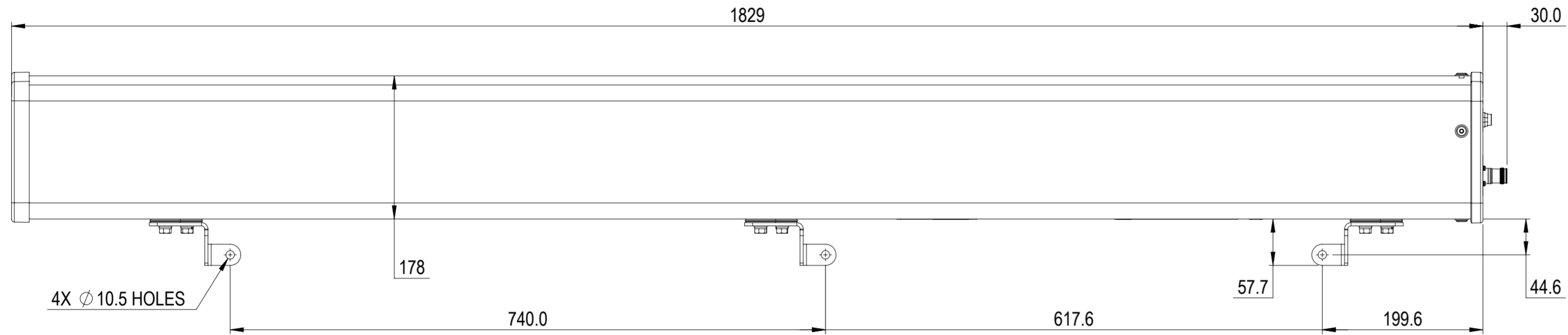


NOTES:

REVISIONS			
REV.	DESCRIPTION	DATE	APPROVED
A	ECR 8000025776: RELEASE TO PRODUCTION PER EAO 603076.	21SEP17 HWN	LHL / WY



NHH-45B-R2B

COMMSCOPE, INC. OF NORTH CAROLINA

TOLERANCES		SAP MATERIAL MASTER	
0 PLACE X ±	2 PLACE .XX ±		
1 PLACE .X ±	ANGLES ±		
FINISH		MATERIAL	
<small>UNLESS OTHERWISE SPECIFIED DIMENSIONS ARE IN MILLIMETERS INTERPRET PER ISO STANDARDS HANDBOOK TECHNICAL DRAWINGS, VOLUMES 1 &amp; 2, THIRD EDITION (2002)</small>		NAME	DATE
		CE HWN	25AUG17
		RW WH1034	09/26/2017
		RV AL1012	09/27/2017
		AD YW1031	09/27/2017
RE BYUAN	09/28/2017	TITLE	
ECN 8000025776-O		PRODUCT DRAWING	
SCALE 1:5		DOCUMENT NO. NHH-45B-R2B-L	
SIZE A2	WORK AREA 23	MODEL	DRAWING
		VERSION 00	STATUS RE
		REVISION A	VERSION 00
		REVISION A	STATUS RE
		REVISION A	REVISION A
			SHEET 1 OF 1

DENSITY	g/mm <sup>3</sup>
MASS	grams
VOLUME	mm <sup>3</sup>
SURFACE AREA	mm <sup>2</sup>
HEIGHT	
LENGTH	
WIDTH	