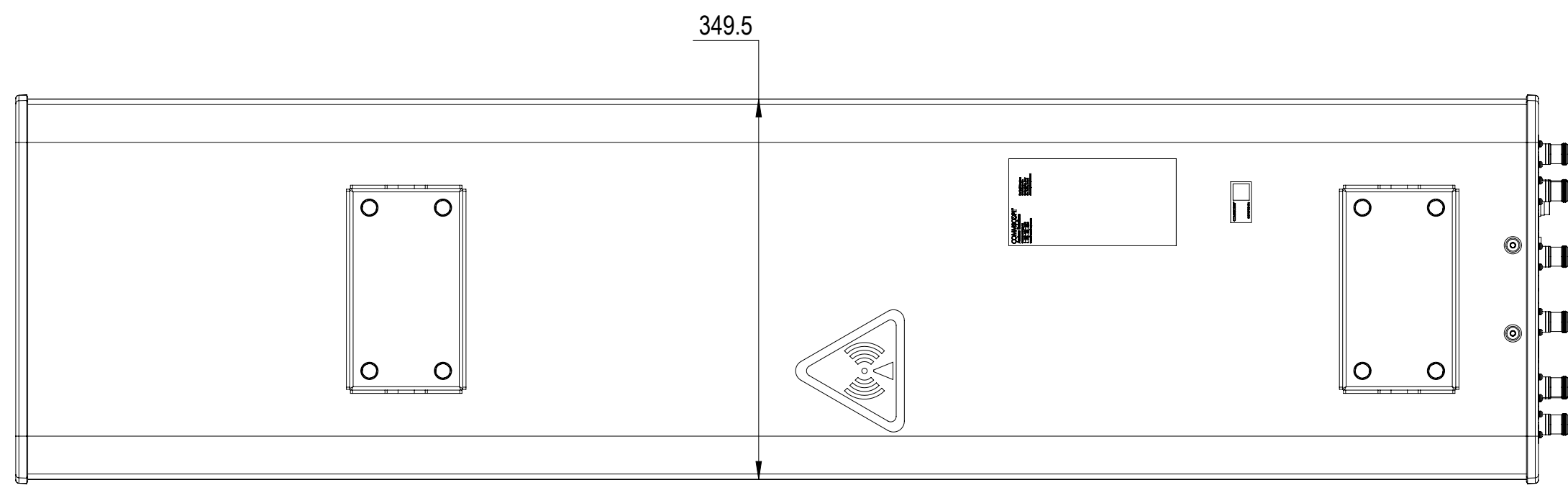
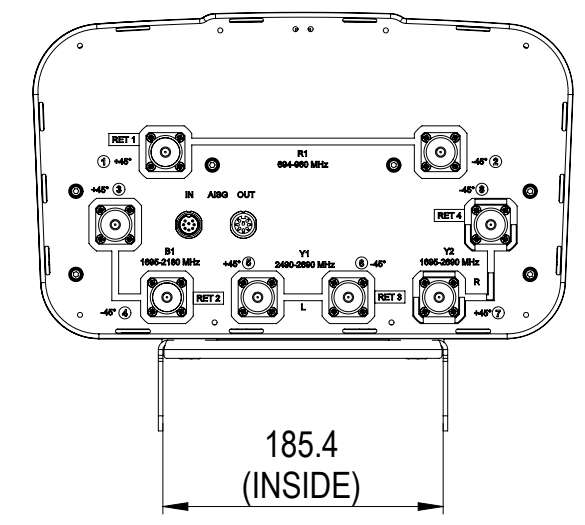
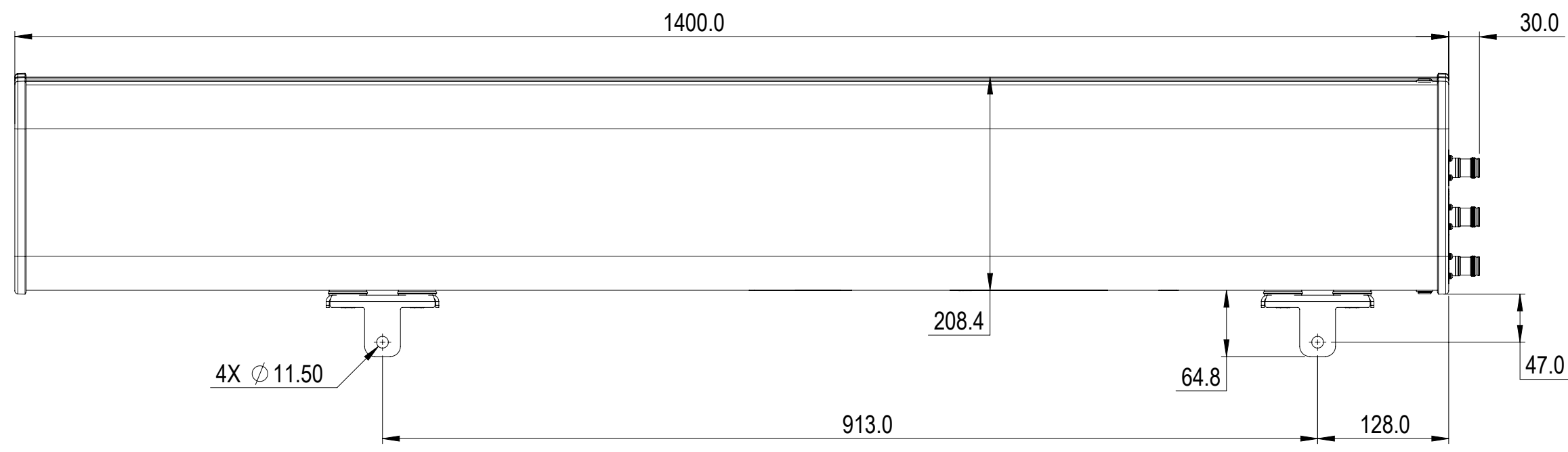


REVISIONS			
REV.	DESCRIPTION	DATE	APPROVED
A	ECR 8000012080: RELEASE TO PRODUCTION PER EAO 603125.	30JUN16 L.Z	LMS / L.TIAN



RHTV65A-FH-C3-4XR

COMMSCOPE, INC. OF NORTH CAROLINA

TOLERANCES		SAP MATERIAL MASTER	
0 PLACE	X ±	2 PLACE	.XX ±
1 PLACE	.X ±	ANGLES	±
FINISH		MATERIAL	

UNLESS OTHERWISE SPECIFIED DIMENSIONS ARE IN MILLIMETERS INTERPRET PER ISO STANDARDS HANDBOOK TECHNICAL DRAWINGS VOLUMES 1 & 2, THIRD EDITION (2002)	NAME	DATE	PRODUCT DRAWING SCALE: 1:5 DOCUMENT NO. RHTV65A-FH-C3-4XR-L
	CE L.Z	27JUN16	
	RW LZ1032	07/04/2016	
	RV ML1035	07/04/2016	
	AD CW1051	07/04/2016	
RE BYUAN	07/08/2016		
ECN 8000012080-O			

DENSITY	g/mm ³	SIZE: A2 WORK AREA: 23 MODEL: DRAWING: SHEET: 1 OF 1 VERSION: 00 STATUS: RE REVISION: A VERSION: 00 STATUS: RE REVISION: A
MASS	grams	
VOLUME	mm ³	
SURFACE AREA	mm ²	
HEIGHT		
LENGTH		
WIDTH		