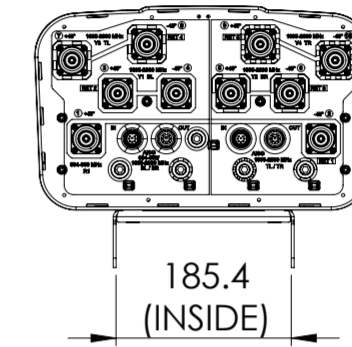
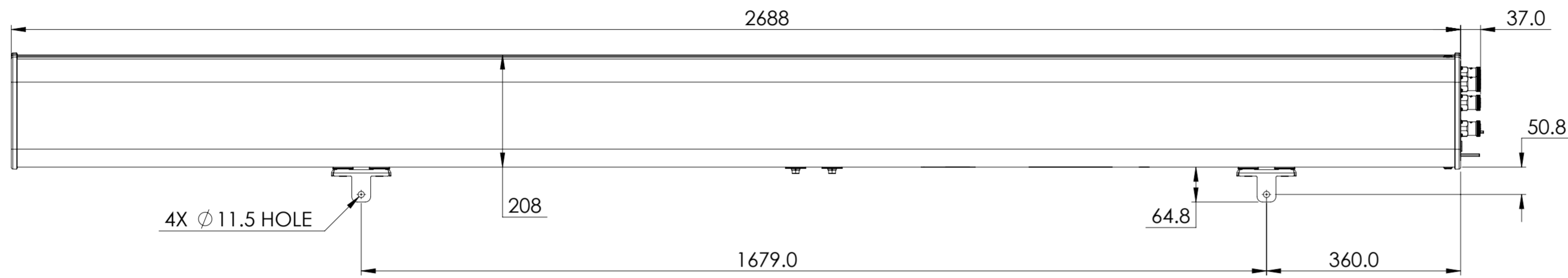


NOTES:

REVISIONS			
REV.	DESCRIPTION	DATE	APPROVED
A	ECR 8000020427: REL TO PRODUCTION PER EAO 604121.	10MAR17 ZW	YS/VS
B	ECR 8000024249: UPDATE DRAWING WITH LATEST MODEL.	26JUN17 CN	YS/VS
C	ECR 8000029221: REMOVE RV4-65D-R5-V2 FROM SHEET 2.	02APR18 ZW	S.LIU/JIHE



RV4-65D-R5

COMMSCOPE, INC. OF NORTH CAROLINA										
TOLERANCES					SAP MATERIAL MASTER					
0 PLACE X ±		2 PLACE .XX ±								
1 PLACE .X ±		ANGLES ±								
FINISH					MATERIAL					
UNLESS OTHERWISE SPECIFIED DIMENSIONS ARE IN MILLIMETERS INTERPRET PER ISO STANDARDS HANDBOOK TECHNICAL DRAWINGS VOLUMES 1 & 2, THIRD EDITION (2002)	NAME	DATE	TITLE							
	CE ZW	10MAR17	PRODUCT DRAWING							
	RW WZ1012	04/03/2018								
	RV CHALIU	04/03/2018								
	AD JIHE	04/04/2018								
	RE ZHHCHEN	04/04/2018								
ECN 8000029221-O			SCALE	DOCUMENT NO.						
			1:8	RV4-65D-R5-L						
SIZE	WORK AREA	23	MODEL			DRAWING				SHEET
A2		VERSION	STATUS	REVISION	VERSION	STATUS	REVISION	1 OF 1		
		04	RE	E	02	RE	C			

DENSITY	g/mm ³
MASS	grams
VOLUME	mm ³
SURFACE AREA	mm ²
HEIGHT	
LENGTH	
WIDTH	

© 2017 CommScope, Inc.