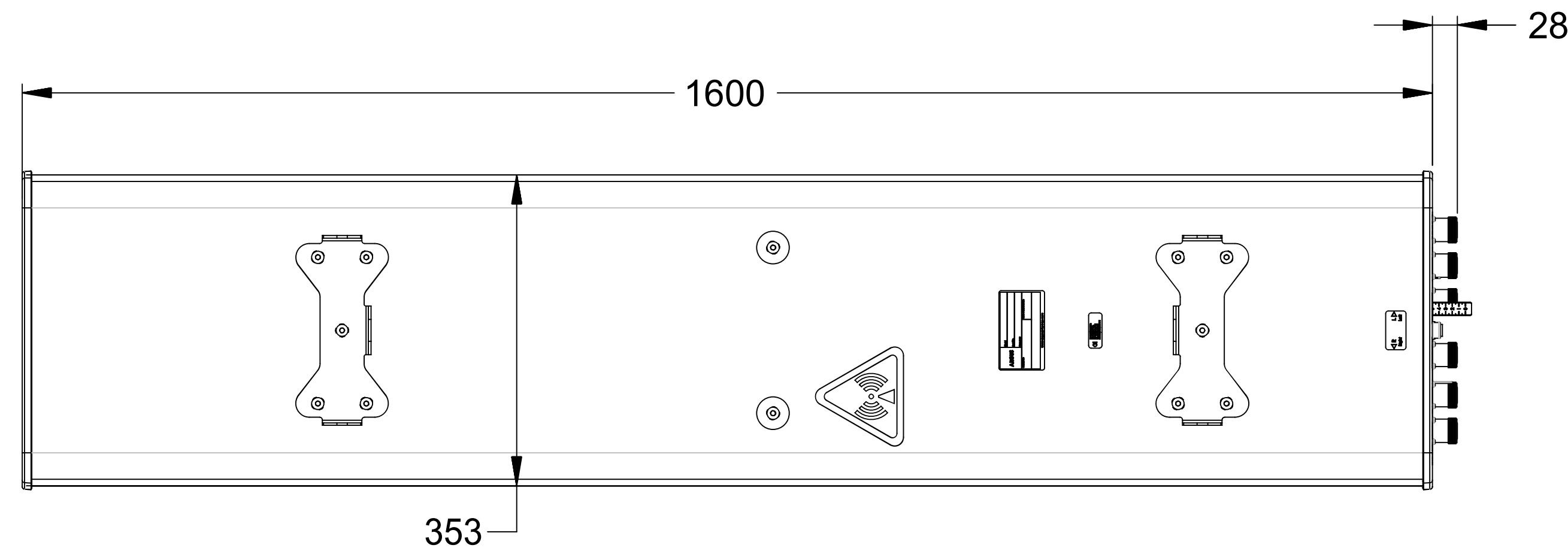
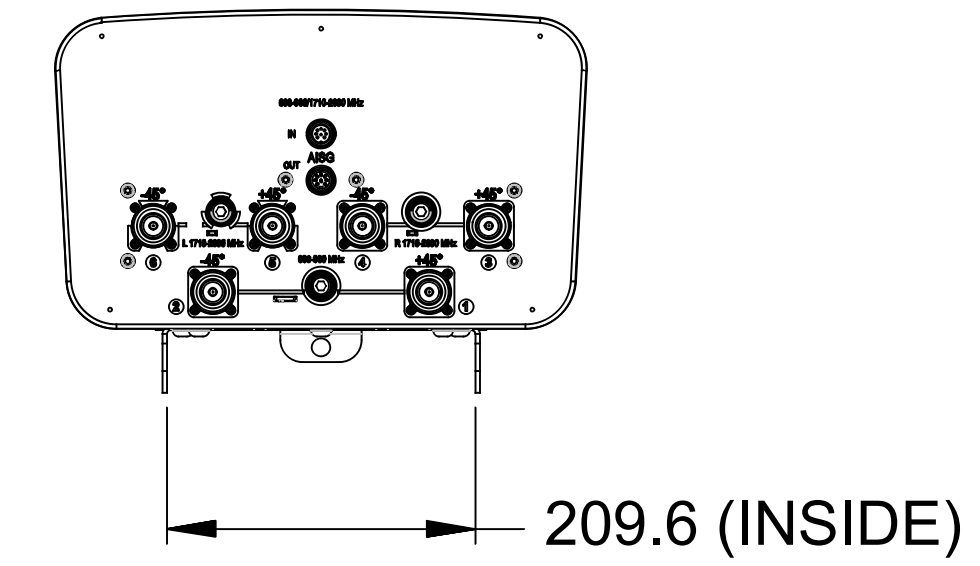
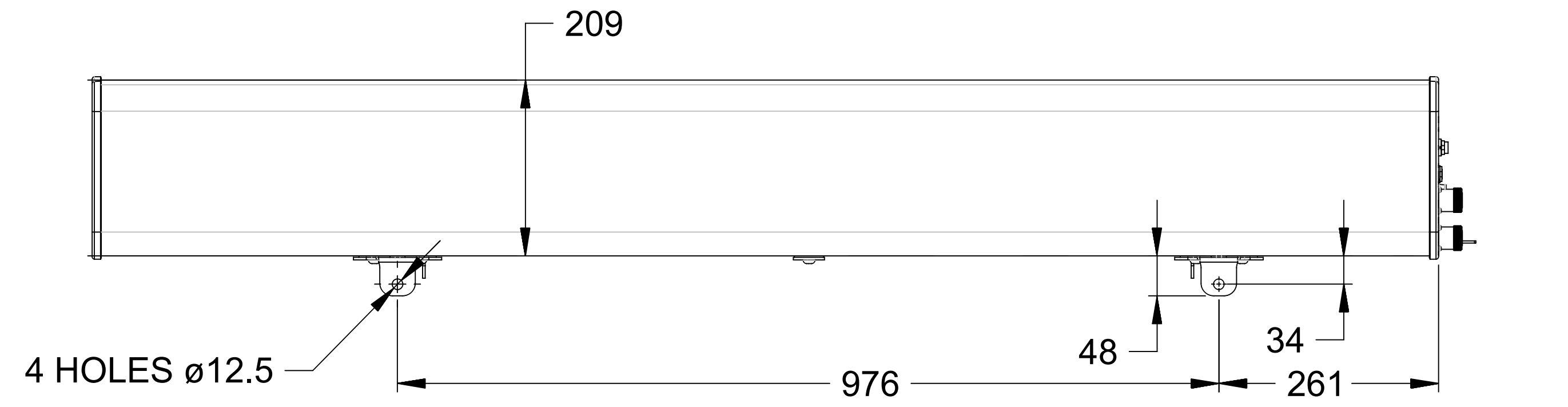


ZONE	REV.	DESCRIPTION	DRAWN BY	DATE
-	A	INITIAL ISSUE	BD	26/11/2013
	B	ECR 8000011900: ADD DXF TO DIR.	H.D	01/05/2016



RVVPX306.11R

UNLESS OTHERWISE SPECIFIED DIMENSIONS ARE IN MILLIMETRES. TOLERANCES ARE: 0 - 20 ±2 HOLE ø ±1 >20-100 ±2 HOLE ø ±1 >100-200 ±2 ANGULAR ±1° >200 ±2		DESCRIPTION: <b>PRODUCT DRAWING</b> PART/DWG NUMBER: <b>RVVPX306.11R -L</b> MATERIAL: N/A FINISH: N/A	
DRAWN TO AS1100		DWG REV <b>B</b> DATE: <b>01/05/2016</b> SCALE: 1:10 A3 DRAWN: B.D SHEET 1 OF 1	