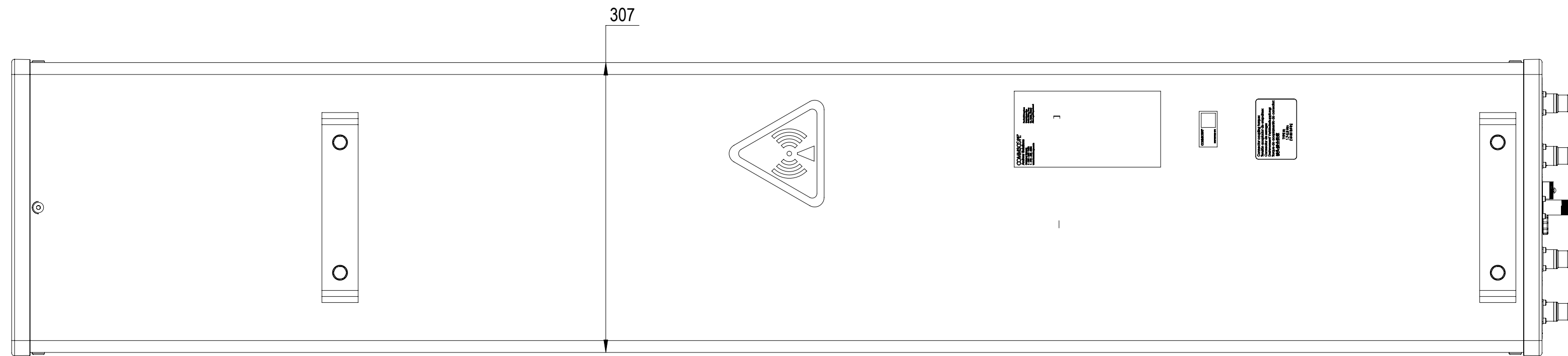
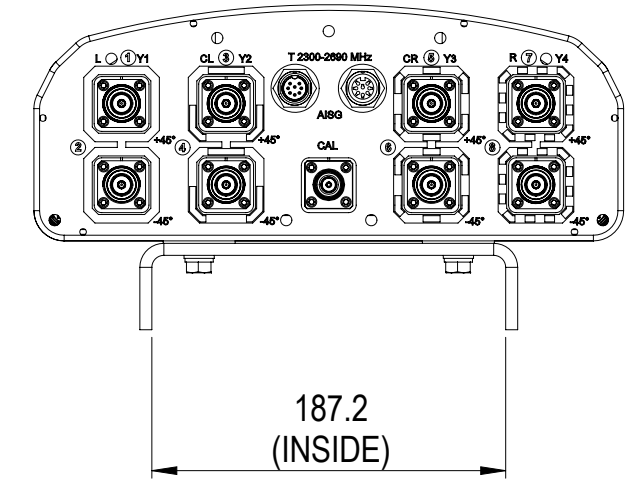
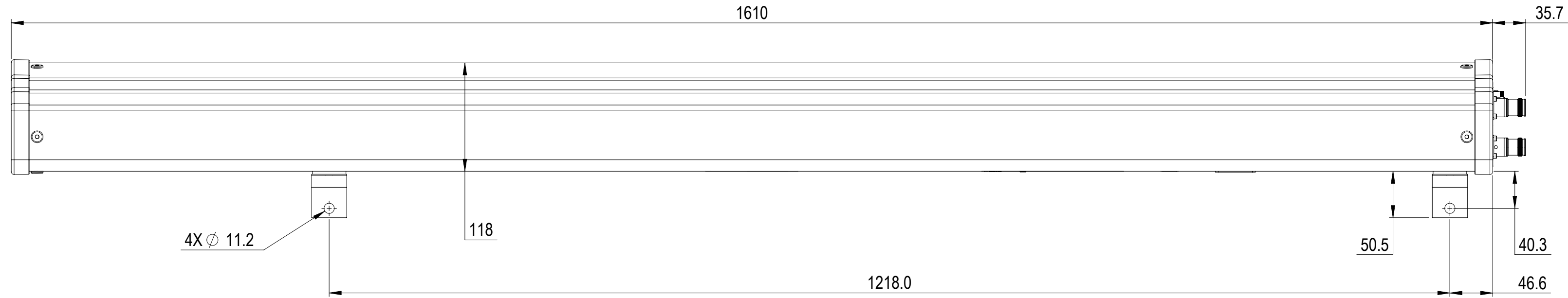


NOTES:

REVISIONS			
REV.	DESCRIPTION	DATE	APPROVED
A	ECR 8000030356: RELEASE TO PRODUCTION PER EAO 604910.	26NOV18 DL	KJ/SRT



T4-90A-R1

COMMSCOPE, INC. OF NORTH CAROLINA

TOLERANCES		SAP MATERIAL MASTER																					
0 PLACE X ±	2 PLACE .XX ±																						
1 PLACE .X ±	ANGLES ±																						
FINISH		MATERIAL																					
UNLESS OTHERWISE SPECIFIED DIMENSIONS ARE IN MILLIMETERS INTERPRET PER ISO STANDARDS HANDBOOK TECHNICAL DRAWINGS VOLUMES 1 & 2, THIRD EDITION (2002)		<table border="1"> <thead> <tr> <th>REV.</th> <th>NAME</th> <th>DATE</th> <th>TITLE</th> </tr> </thead> <tbody> <tr> <td>CE</td> <td>DL1048</td> <td>26NOV18</td> <td rowspan="5">PRODUCT DRAWING</td> </tr> <tr> <td>RW</td> <td>DL1048</td> <td>11/28/2018</td> </tr> <tr> <td>RV</td> <td>KJ1016</td> <td>11/28/2018</td> </tr> <tr> <td>AD</td> <td>TS1073</td> <td>11/28/2018</td> </tr> <tr> <td>RE</td> <td>ZHHCHEN</td> <td>11/28/2018</td> </tr> </tbody> </table>		REV.	NAME	DATE	TITLE	CE	DL1048	26NOV18	PRODUCT DRAWING	RW	DL1048	11/28/2018	RV	KJ1016	11/28/2018	AD	TS1073	11/28/2018	RE	ZHHCHEN	11/28/2018
REV.	NAME	DATE	TITLE																				
CE	DL1048	26NOV18	PRODUCT DRAWING																				
RW	DL1048	11/28/2018																					
RV	KJ1016	11/28/2018																					
AD	TS1073	11/28/2018																					
RE	ZHHCHEN	11/28/2018																					
ECN 8000030356-O		SCALE 1:4	DOCUMENT NO. T4-90A-R1-L																				
SIZE WORK AREA 23		MODEL																					
VERSION 00		STATUS RE	REVISION A																				
DRAWING		VERSION 00	STATUS RE																				
REVISION A		VERSION 00	STATUS RE																				
SHEET 1 OF 1																							

DENSITY	g/mm <sup>3</sup>
MASS	grams
VOLUME	mm <sup>3</sup>
SURFACE AREA	mm <sup>2</sup>
HEIGHT	
LENGTH	
WIDTH	

© 2018 CommScope, Inc.