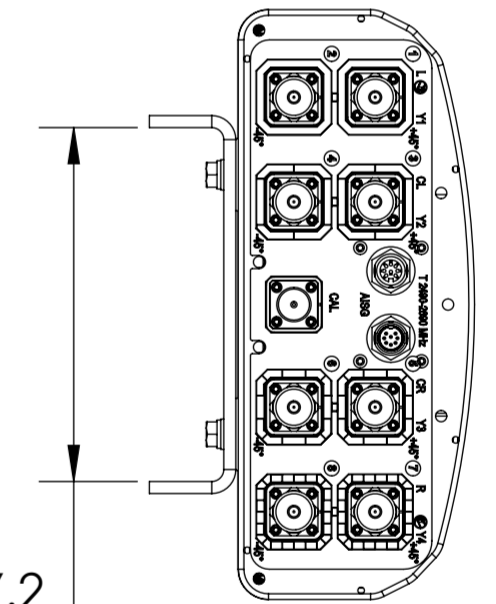
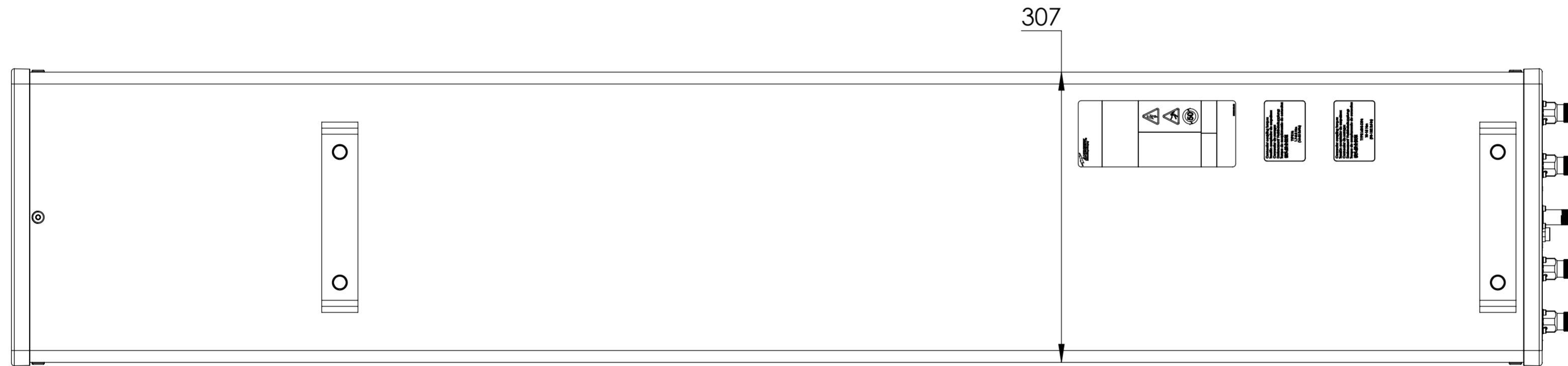
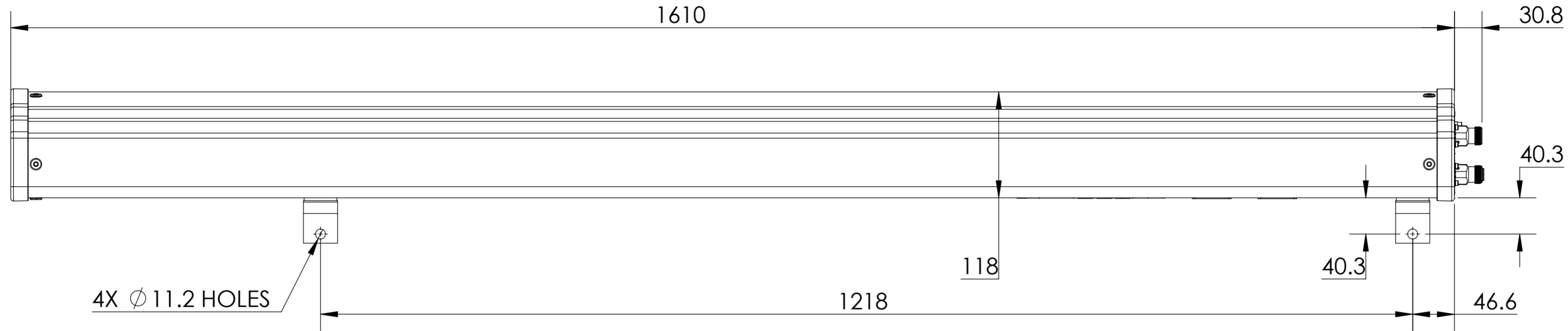


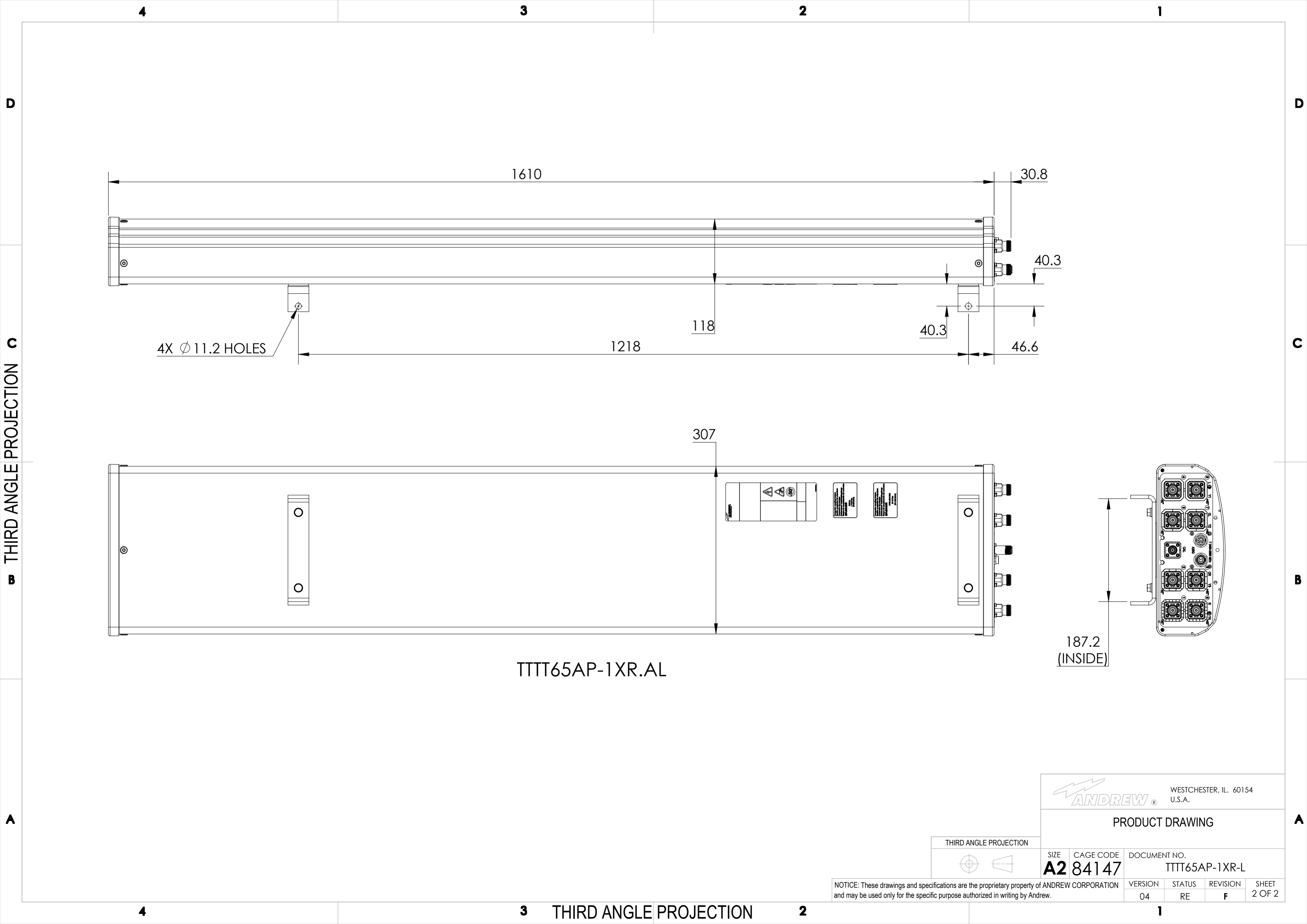
NOTES:

REVISIONS			
REV	DESCRIPTION	DATE	APPROVED
A	ECR 8000001343: REL TO PRODUCTION PER EAO 601024.	30OCT13 AD	DM.WANG/L.CAI
C	ECR 8000003274: ADD TTTT65AP-1XR.AL.	05MAY14 QF	S.LIU/JIHE
D	ECR 8000023065: UPDATE DRAWING .	18MAY17 LXL	S.LIU/JIHE
E	ECR 8000026241: CHG WIDTH OF -1XR AND -1XR.AL.	28SEP17 HWN	S.LIU/JIHE
F	ECR 8000027737: UPDATE DRAWING WITH LATEST MODEL.	29DEC17 RY	S.LIU/JIHE



TTTT65AP-1XR

MATERIAL	DENSITY:	UNLESS OTHERWISE SPECIFIED DIMENSIONS ARE IN MILLIMETERS INTERPRET PER ISO STANDARDS HANDBOOK TECHNICAL DRAWINGS VOLUMES 1 & 2, THIRD EDITION (2002)	WESTCHESTER, IL. 60154 U.S.A.						
	MASS:		ANDREW®						
FINISH	TOLERANCES		THIRD ANGLE PROJECTION						
	0 PLACE X ± 3								
	1 PLACE .X ± 1.0								
	2 PLACE .XX ± 0.20		DRAWN BY AD 30OCT13	SIZE A2	CAGE CODE 84147				
ANGLES ± 0.5		ECN 8000027737-O	DOCUMENT NO. TTTT65AP-1XR-L						
ALL SURFACES ✓		AUTH. GROUP 23	MODEL	DRAWING					
NOTICE: These drawings and specifications are the proprietary property of ANDREW CORPORATION and may be used only for the specific purpose authorized in writing by Andrew.			VERSION 06	STATUS RE	REVISION G	VERSION 04	STATUS RE	REVISION F	SHEET 1 OF 2



4X Ø 11.2 HOLES

1610

30.8

1218

118

40.3

46.6

307

TTTT65AP-1XR.AL

187.2
(INSIDE)

ANDREW WESTCHESTER, IL. 60154
U.S.A.

PRODUCT DRAWING

THIRD ANGLE PROJECTION



SIZE

A2

CAGE CODE

84147

DOCUMENT NO.

TTTT65AP-1XR-L

NOTICE: These drawings and specifications are the proprietary property of ANDREW CORPORATION and may be used only for the specific purpose authorized in writing by Andrew.

VERSION

04

STATUS

RE

REVISION

F

SHEET

2 OF 2

4

3

THIRD ANGLE PROJECTION

2

1

D

D

C

C

B

B

A

A