

4

3

2

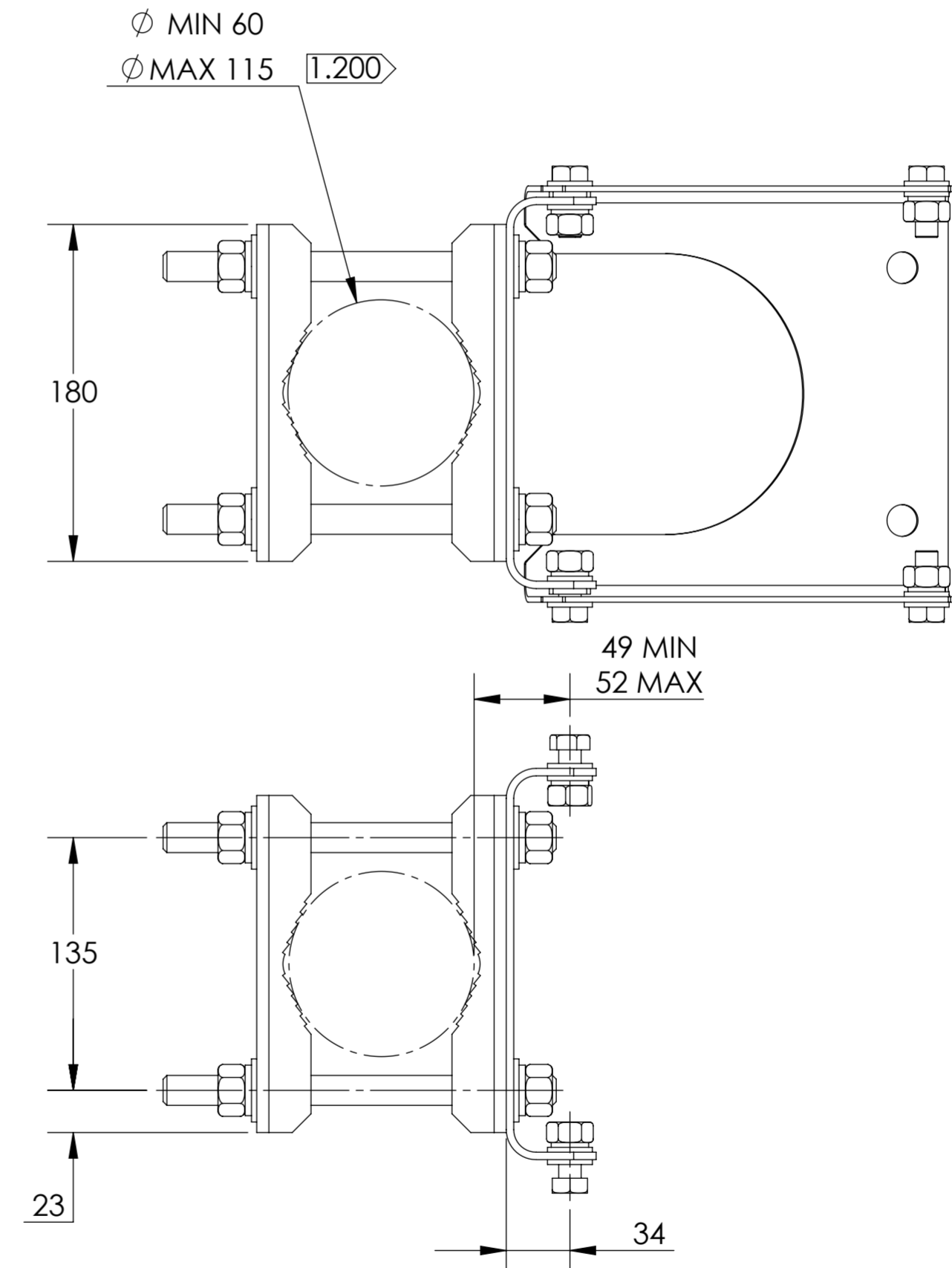
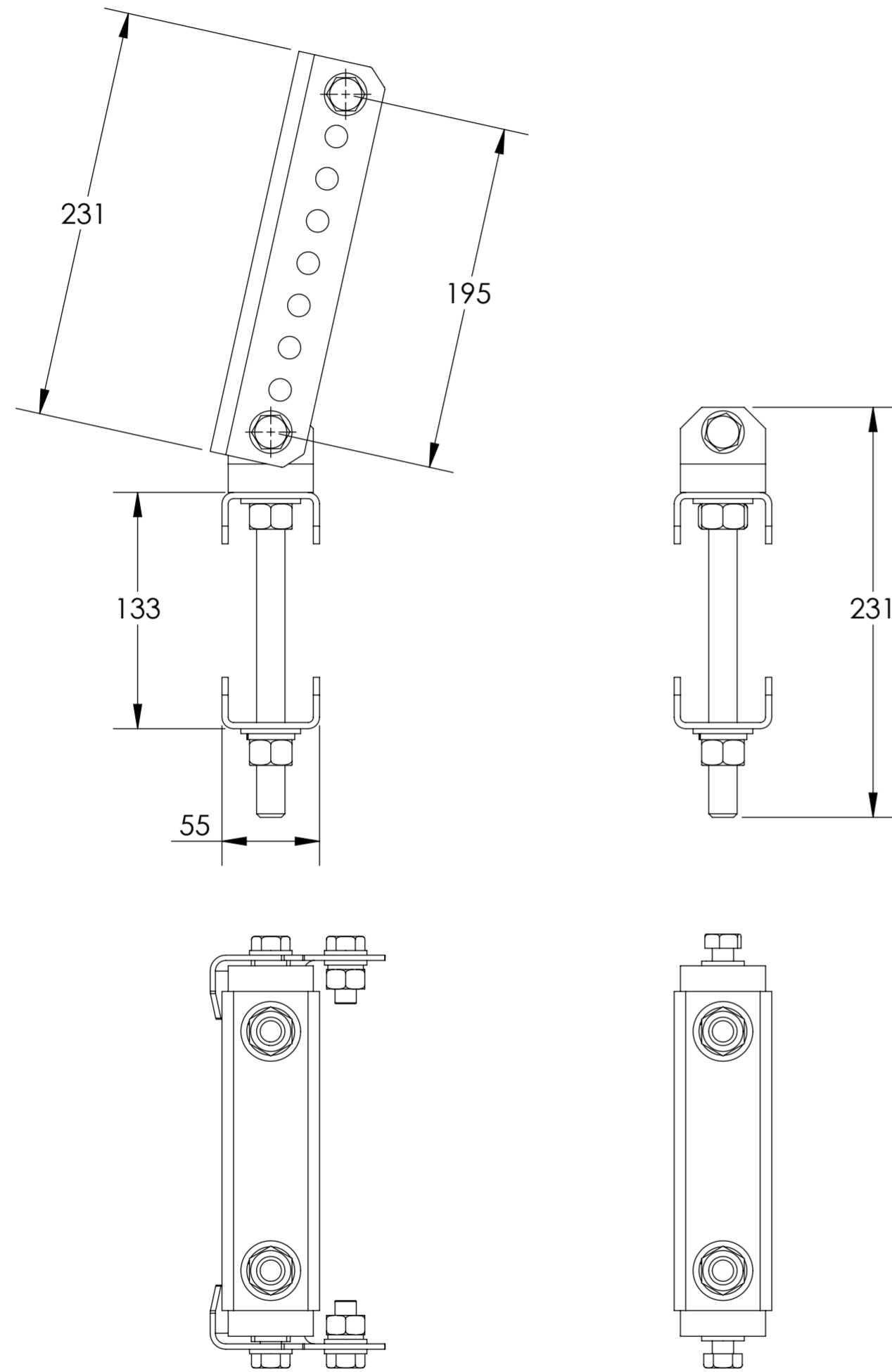
1

NOTES:



1.0 GENERAL NOTES

1.200 MIN. AND MAX. PIPE DIAMETERS ONLY REFER TO CAPABLE PIPE SIZE OF THE MOUNTING KIT. THE RECOMMENDED PIPE DIAMETER VARIES FOR DIFFERENT ANTENNA LENGTH AND IS PROVIDED IN ANTENNA INSTALLATION MANUAL.

REVISIONS			
REV	DESCRIPTION	DATE	APPROVED
A	ECR 800003574: REL TO PRODUCTION PER EAO 601665	02OCT14 JJH	MB XA
B	ECR 8000010306: ADD DIMENSIONS.	10OCT15 RY	S.LIU/JIHE
C	ECR 8000035097: CHG MIN PIPE SIZE FROM 50 mm TO 60 mm; ADD NOTE 1.200.	07MAY19 ZW	S.LIU/HANSEN.W



T-029-GL-E

MATERIAL	DENSITY: N/A MASS: 6.0 kg	UNLESS OTHERWISE SPECIFIED DIMENSIONS ARE IN MILLIMETERS INTERPRET PER ISO STANDARDS HANDBOOK TECHNICAL DRAWINGS VOLUMES 1 & 2, THIRD EDITION (2002)	 WESTCHESTER, IL. 60154 U.S.A.	
N/A	TOLERANCES	THIRD ANGLE PROJECTION	8 DEG HEAVY DUTY DOWNTILT MOUNTING KIT	
FINISH	0 PLACE X ± 1 PLACE .X ± 2 PLACE .XX ± ANGLES ±	 DRAWN BY JJH 02OCT14 ECN 8000035097-O	SIZE A2 84147	DOCUMENT NO. T-029-GL-E-L
N/A	ALL SURFACES ✓	AUTH. GROUP 23	MODEL	DRAWING
NOTICE: These drawings and specifications are the proprietary property of ANDREW CORPORATION and may be used only for the specific purpose authorized in writing by Andrew.			VERSION	STATUS
			00	RE
			REVISION	VERSION
			A	02
			REVISION	STATUS
			C	RE
			SHEET	1 OF 1

4

3

2

1