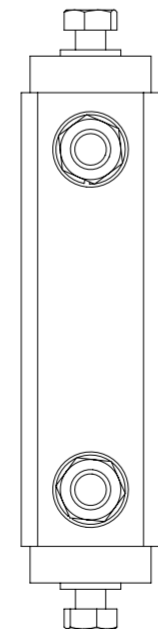
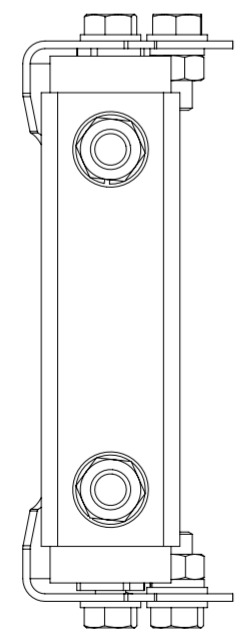
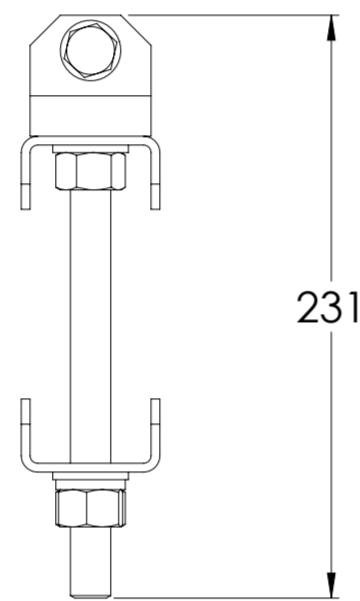
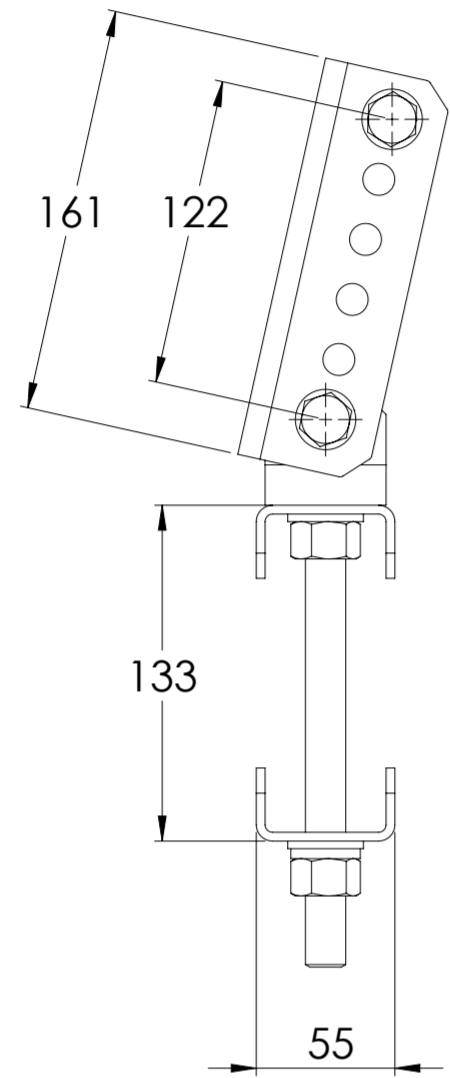


NOTES:

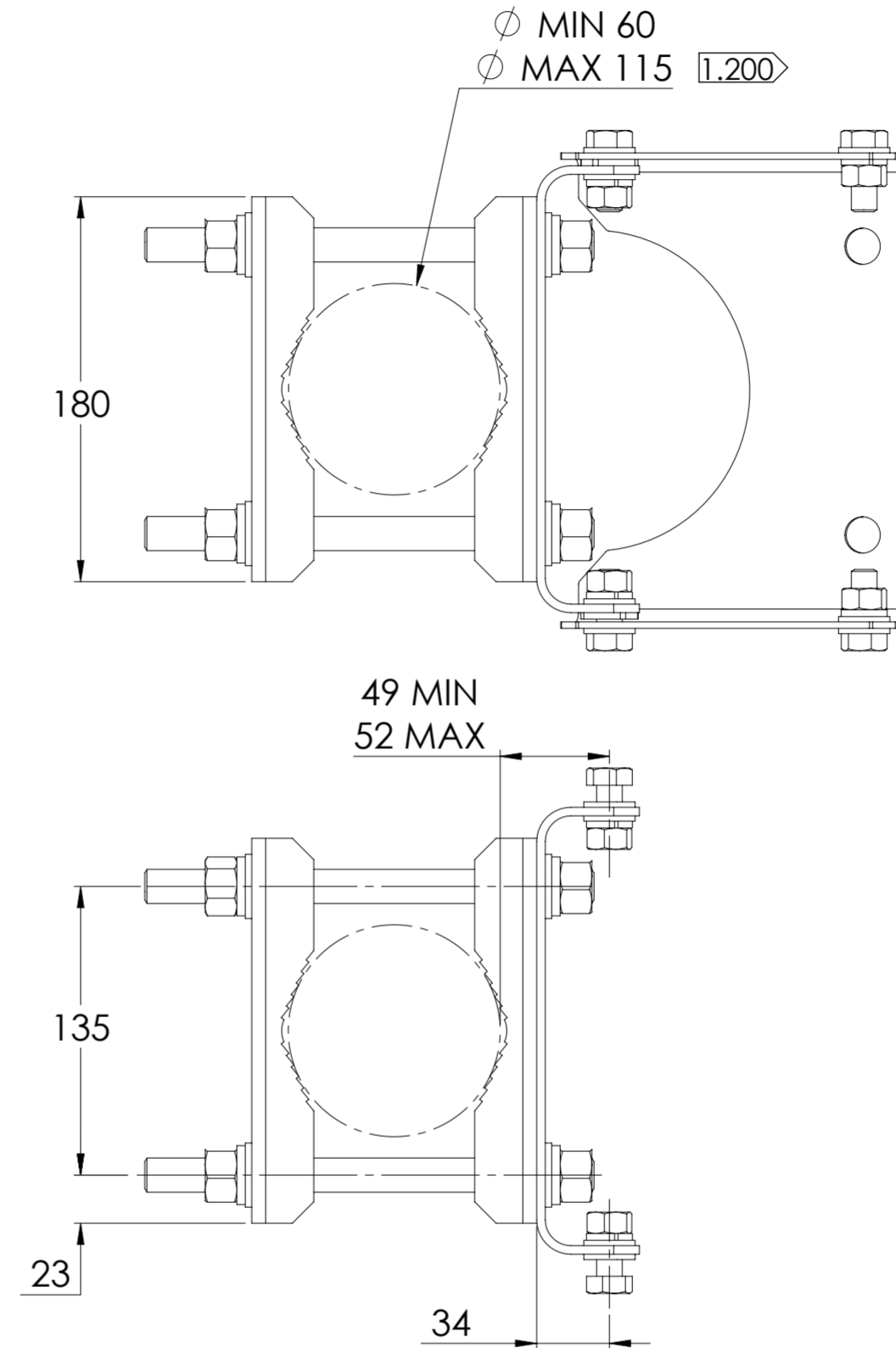
1.0 GENERAL NOTES

1.200 MIN. AND MAX. PIPE DIAMETERS ONLY REFER TO CAPABLE PIPE SIZE OF THE MOUNTING KIT.
 THE RECOMMENDED PIPE DIAMETER VARIES FOR DIFFERENT ANTENNA LENGTH AND IS PROVIDED IN ANTENNA INSTALLATION MANUAL.

REVISIONS			
REV.	DESCRIPTION	DATE	APPROVED
A	ECR 8000035097: REL TO PRODUCTION.	07MAY19 ZW	S.LIU/HANSEN.W



T-095-GL-E



COMMSCOPE, INC. OF NORTH CAROLINA													
TOLERANCES						SAP MATERIAL MASTER							
0 PLACE X ±			2 PLACE .XX ±			1 PLACE .X ±			ANGLES ±				
FINISH						MATERIAL							
UNLESS OTHERWISE SPECIFIED DIMENSIONS ARE IN MILLIMETERS INTERPRET PER ISO STANDARDS HANDBOOK TECHNICAL DRAWINGS VOLUMES 1 & 2, THIRD EDITION (2002)		NAME		DATE		TITLE							
		CE WZ1012		04/12/2019		MNT-KIT, PANEL, MDT SCALE: 1:3 DOCUMENT NO. T-095-GL-E-L							
		RW WZ1012		05/07/2019									
		RV CHALIU		05/07/2019									
		AD HW8003		05/08/2019									
RE ZHHCHEN		05/08/2019											
ECN 8000035097-O													
DENSITY		g/mm³		SIZE		WORK AREA		23		MODEL			
MASS		grams		A2		VERSION		STATUS		DRAWING			
VOLUME		mm³				00		RE		A		VERSION	
SURFACE AREA		mm²				00		RE		A		STATUS	
HEIGHT				00		RE		A		REVISION			
LENGTH				00		RE		A		REVISION			
WIDTH				00		RE		A		REVISION			
										SHEET			
										1 OF 1			