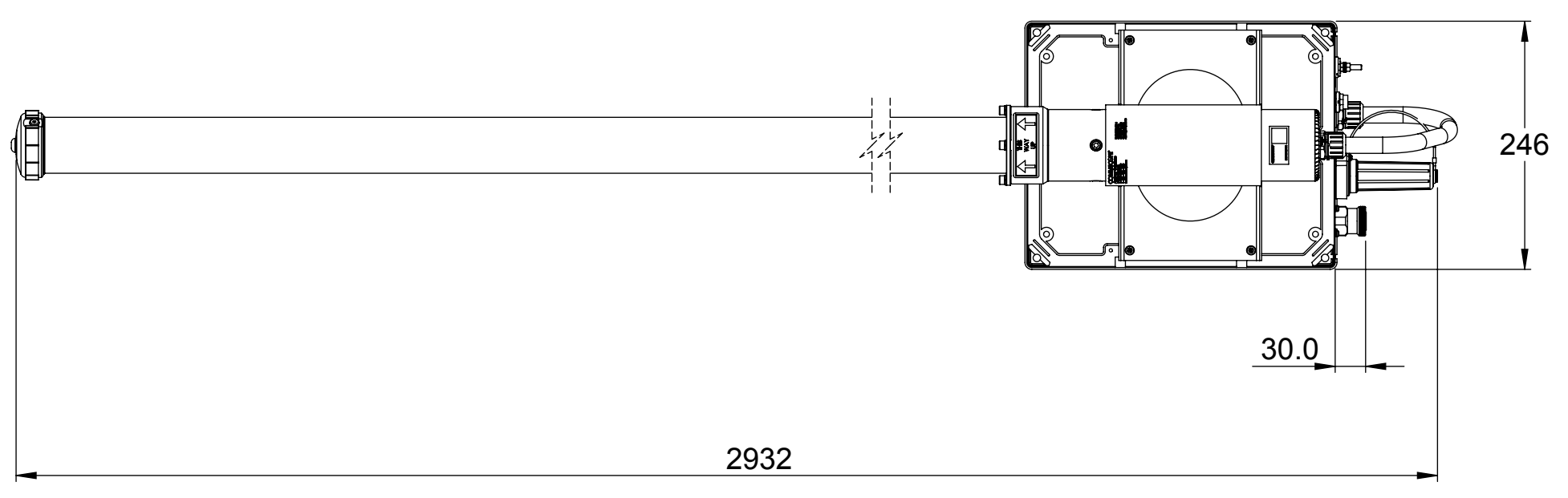
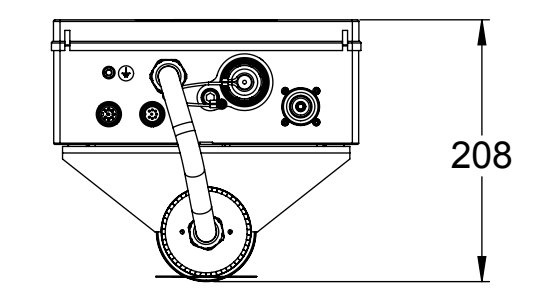
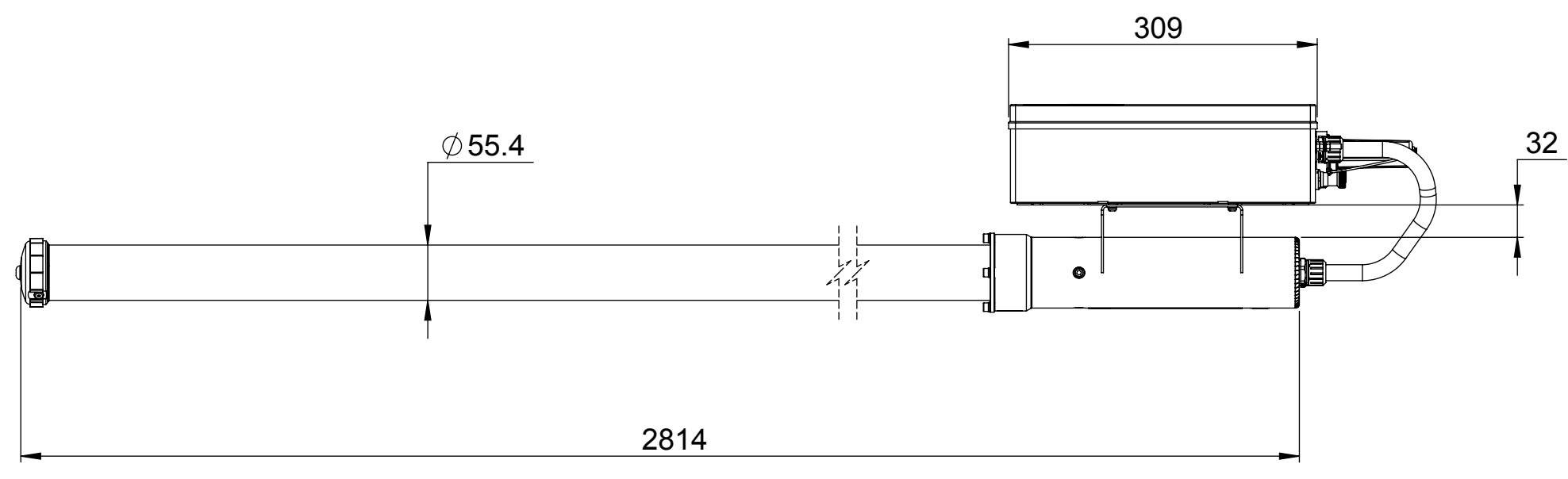


REVISIONS			
REV.	DESCRIPTION	DATE	APPROVED
A	ECR 8000026923: RELEASE TO PRODUCTION PER EAO 604607.	31OCT17 CMY	AP/NH



UNA008R-V2

<b>COMMSCOPE, INC. OF NORTH CAROLINA</b>											
TOLERANCES						SAP MATERIAL MASTER					
0 PLACE X ±			2 PLACE .XX ±								
1 PLACE .X ±			ANGLES ±								
FINISH						MATERIAL					
<b>PRODUCT DRAWING</b>											
SCALE: <b>1:5</b> DOCUMENT NO. <b>UNA008R-V2-L</b>											
ECN 8000026923-O											
SIZE		WORK AREA		23		MODEL		DRAWING		SHEET	
<b>A2</b>						VERSION		STATUS		REVISION	
						06		RE		G	

DENSITY	g/mm <sup>3</sup>
MASS	grams
VOLUME	mm <sup>3</sup>
SURFACE AREA	mm <sup>2</sup>