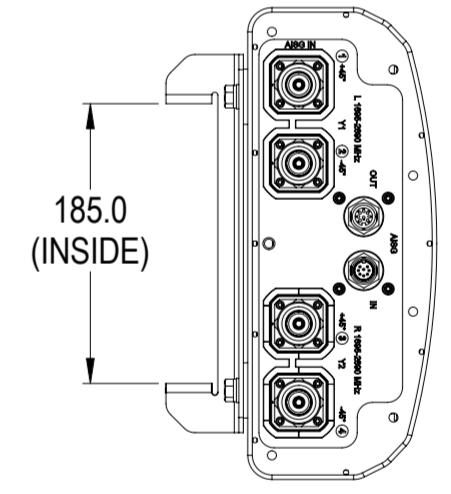
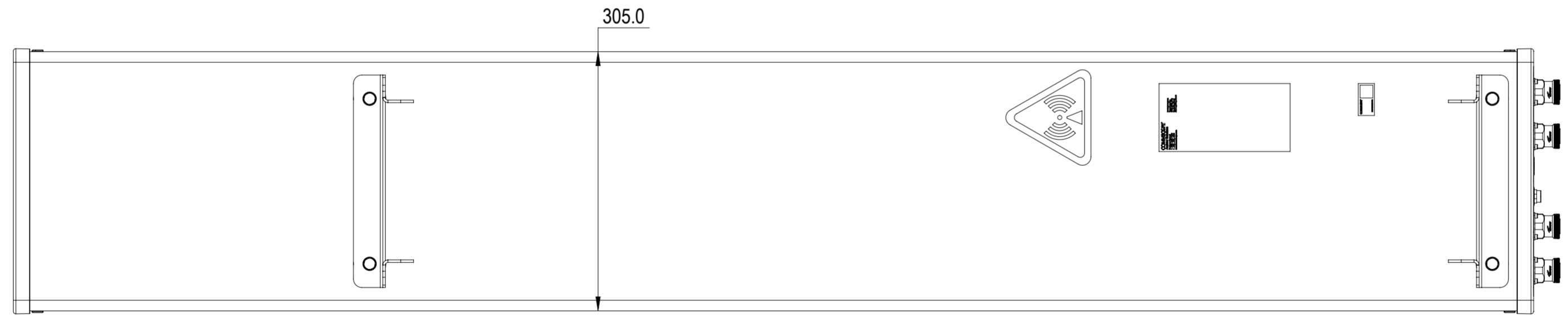
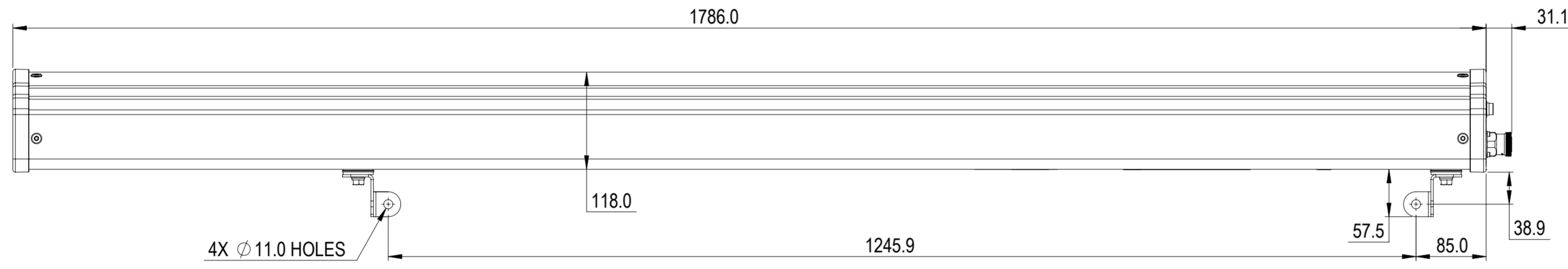


NOTES:

REVISIONS			
REV.	DESCRIPTION	DATE	APPROVED
A	ECR 8000010543: RELEASE TO PRODUCTION PER EAO 602881.	09DEC15 L.Z	LMS / L.TIAN



VV-65B-R1B

COMMSCOPE, INC. OF NORTH CAROLINA

TOLERANCES		SAP MATERIAL MASTER															
0 PLACE X ±	2 PLACE .XX ±																
1 PLACE .X ±	ANGLES ±																
FINISH		MATERIAL															
UNLESS OTHERWISE SPECIFIED DIMENSIONS ARE IN MILLIMETERS INTERPRET PER ISO STANDARDS HANDBOOK TECHNICAL DRAWINGS VOLUMES 1 & 2, THIRD EDITION (2002)		<table border="1"> <thead> <tr> <th>NAME</th> <th>DATE</th> <th>TITLE</th> </tr> </thead> <tbody> <tr> <td>CE LZ</td> <td>09DEC15</td> <td rowspan="5">PRODUCT DRAWING</td> </tr> <tr> <td>RW LZ1032</td> <td>12/10/2015</td> </tr> <tr> <td>RV ML1035</td> <td>12/10/2015</td> </tr> <tr> <td>AD LT1008</td> <td>12/11/2015</td> </tr> <tr> <td>RE LONEWSOM</td> <td>12/11/2015</td> </tr> </tbody> </table>		NAME	DATE	TITLE	CE LZ	09DEC15	PRODUCT DRAWING	RW LZ1032	12/10/2015	RV ML1035	12/10/2015	AD LT1008	12/11/2015	RE LONEWSOM	12/11/2015
NAME	DATE	TITLE															
CE LZ	09DEC15	PRODUCT DRAWING															
RW LZ1032	12/10/2015																
RV ML1035	12/10/2015																
AD LT1008	12/11/2015																
RE LONEWSOM	12/11/2015																
ECN 8000010543-O		SCALE 1:5	DOCUMENT NO. VV-65B-R1B-L														
SIZE WORK AREA 23		MODEL															
VERSION 00		STATUS RE	REVISION A														
DRAWING		VERSION 00	STATUS RE														
REVISION A		VERSION 00	STATUS RE														
SHEET 1 OF 1																	

DENSITY	g/mm ³
MASS	grams
VOLUME	mm ³
SURFACE AREA	mm ²
HEIGHT	
LENGTH	
WIDTH	