

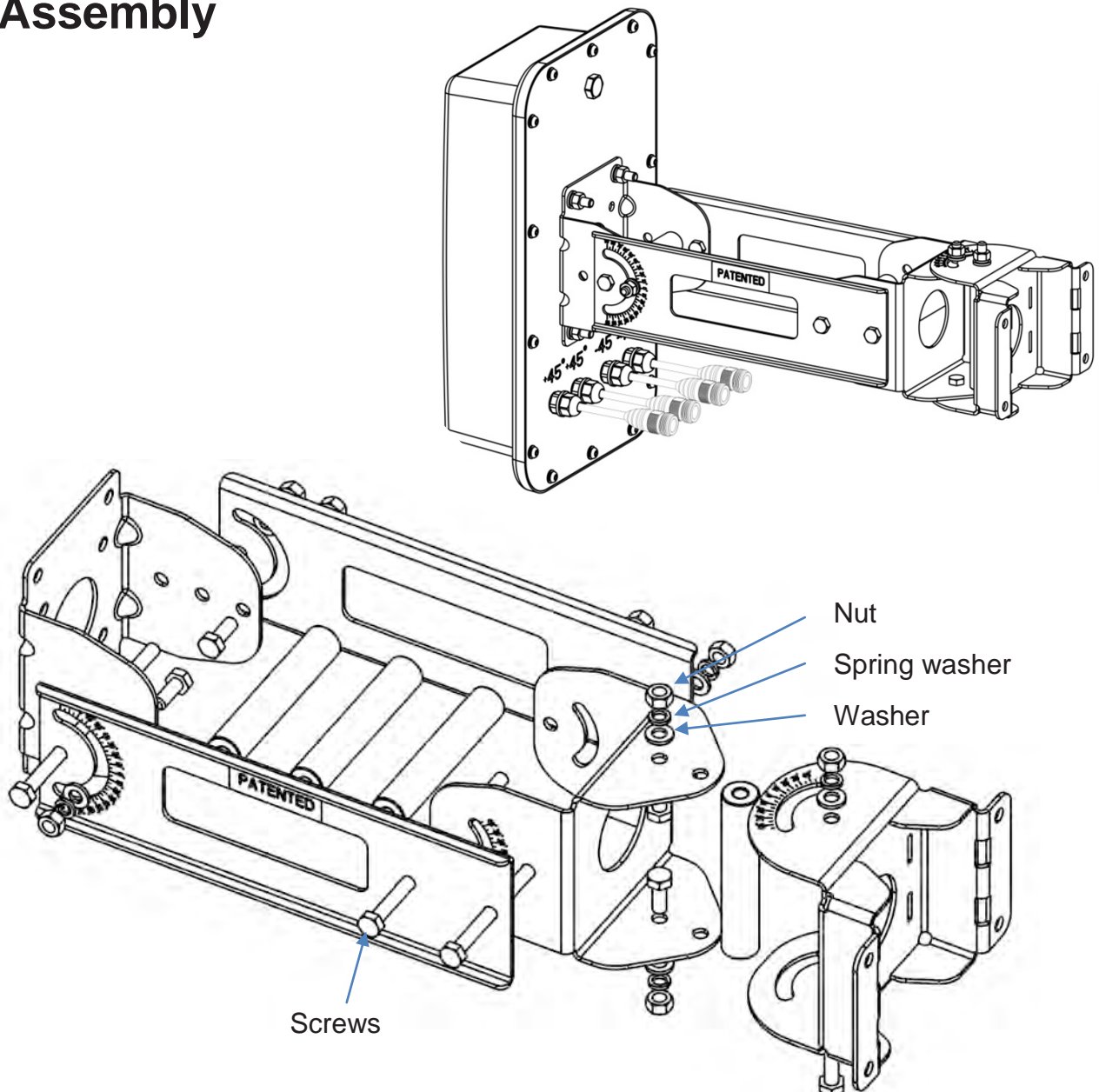
Installation Guide for CMAX-DMH60-xxx Antennas

Note: Please read the complete description before starting the installation. Make sure that connectors are properly sealed against water if no cables are connected to them after installation.

Tools required: **Wrenches**, width 10 mm
(We recommend using socket wrenches.)

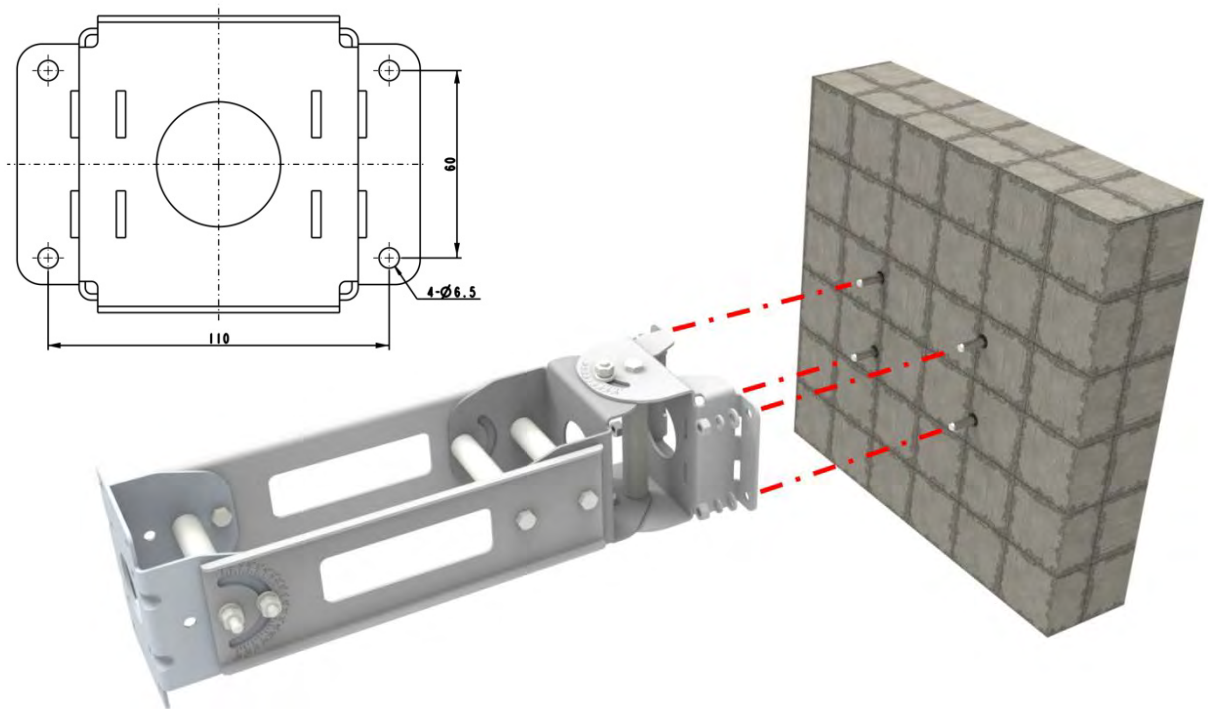


1. Assembly



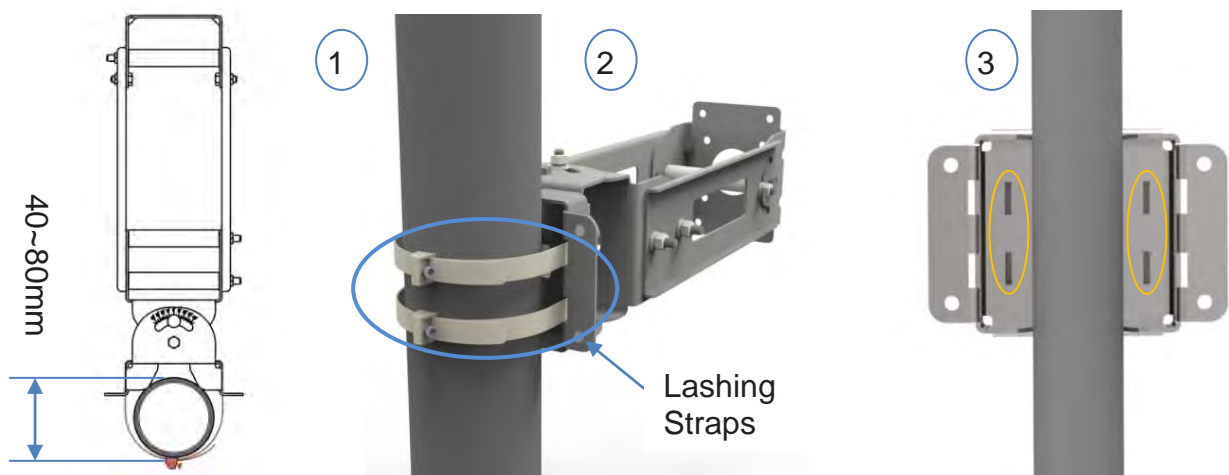
Fit the nine parts together and fasten with screws M6, nuts M6, spring washers, and washers. (M6 torque: 12N-m)

2. Wall Mounting



1. Use the pedestal piece to mark 4 holes onto the wall as shown in the drawing above or use a drill jig.
2. Drill 4 holes into the wall and insert appropriate anchor bolt into holes.
3. Attach the complete bracket with appropriate washers and nuts M6 (not part of the delivery).

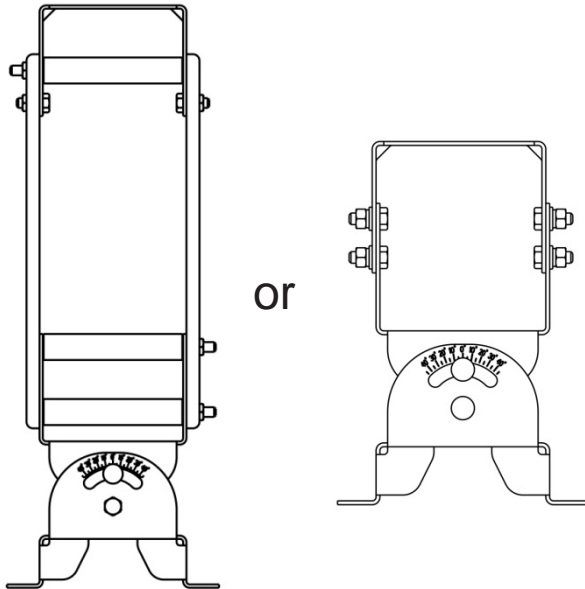
3. Pole Mounting (40~80 mm. pole diameter)



1. Lay proper lashing straps around pole and lead them through mounting bracket (1).
2. Adjust bracket in antenna direction and fasten the bracket (2).
3. For poles with a smaller diameter use the closer holes (3).

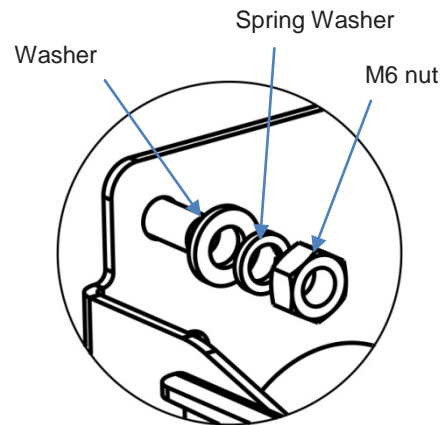
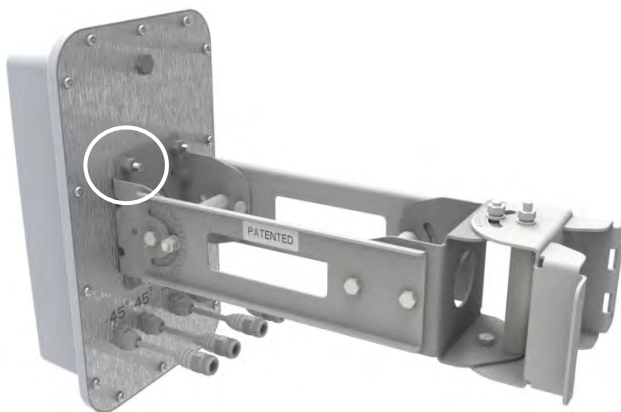
4. Antenna Mounting

4.1. Antenna Mounting



Depending on the space required for the antenna, the distance from the wall can be decreased with the lengthening piece.

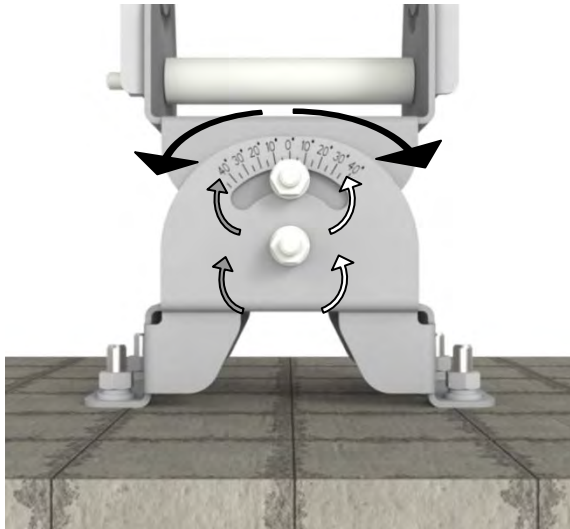
Take out the lengthening piece, if the antenna is small enough.



Screw joint antenna-bracket

Attach antenna and fasten it with washers and M6 nuts (M6 torque: 12 N-m).

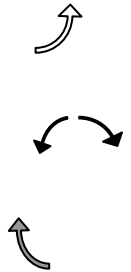
4.2. Azimuth Angle



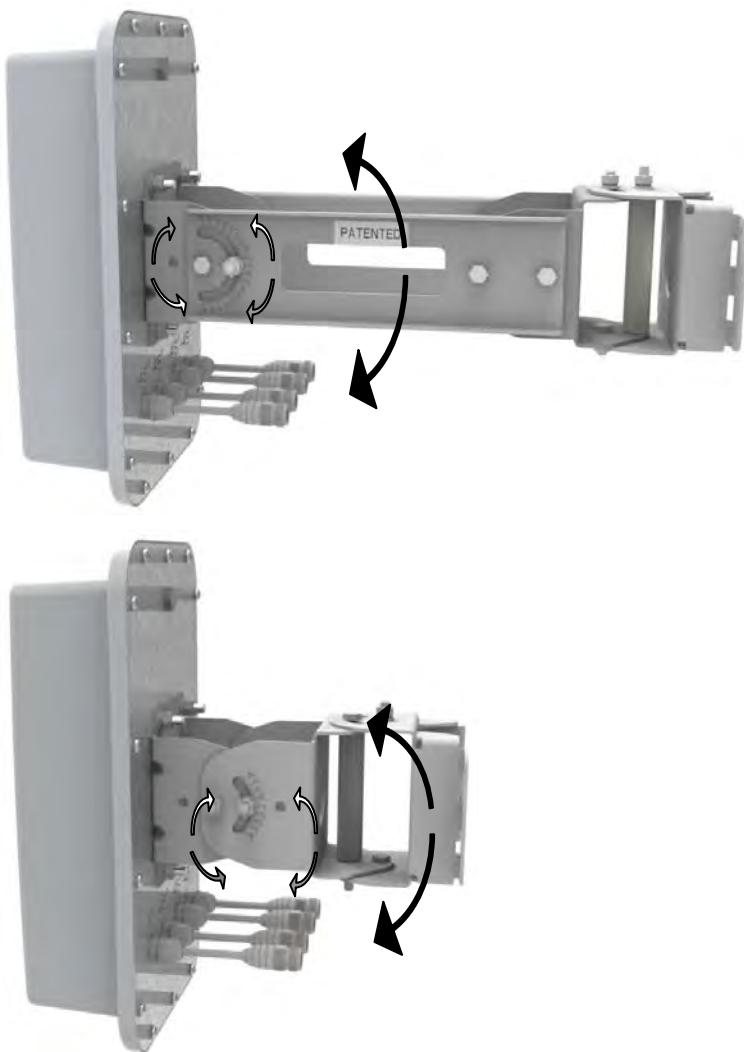
1. Loosen the three fixing screws (Top and bottom). (Do NOT unscrew them completely.)

2. Adjust your desired angle. The complete antenna pedestal can be swiveled to the left- / right-hand side by up to 45°.

3. Tighten the fixing screws.



4.3. Elevation Angle



With lengthening piece:

1. Loosen the three fixing screws at the left- and right-hand side. (Do NOT unscrew them completely.)

2. Adjust your desired angle. The complete antenna pedestal can be swiveled to the top / bottom by up to 90°.

3. Fasten the fixing screws.

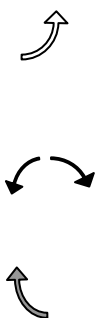


Without lengthening piece:

1. Loosen the three fixing screws at the left- and right-hand side. (Do NOT unscrew them completely.)

2. Adjust your desired angle. The complete antenna pedestal can be swiveled to the top / bottom by up to 90°.

3. Fasten the fixing screws.

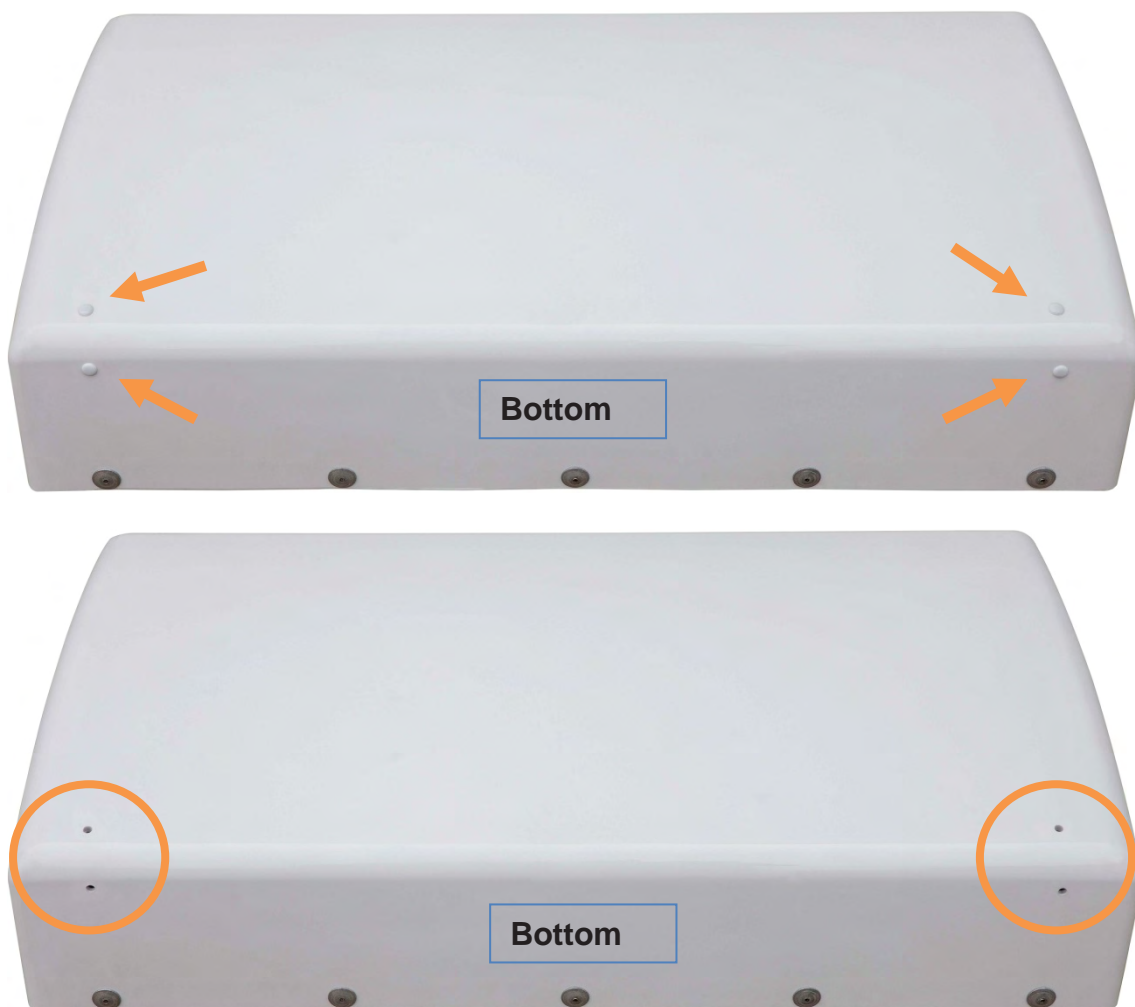


4.4. Outdoor installation

Note: For outdoor use we recommend removing the plugs from the drain holes if the antenna is exposed to high humidity or rainfall.

NOTICE: Do not remove the plugs if the antenna is mounted other than bottom down, that means the drain holes showing to the ground. For the top and bottom of the antenna observe the arrow labeling at the rear side. Otherwise water might penetrate into and therefore damage the antenna.

Remove the plugs from the drain holes at the bottom of the antenna with a knife or a flat screwdriver. The below indicates the location of the drain holes, design and/or size of the antenna may be different.



© Copyright 2016 CommScope, Inc.

All rights reserved.

All information contained in this manual has been revised thoroughly. Yet CommScope accepts no liability for any omissions or faults.

CommScope reserves the right to change all hardware and software characteristics without notice.

Names of products mentioned herein are used for identification purposes only and may be trademarks and / or registered trademarks of their respective companies.

No parts of this publication may be reproduced, stored in a retrieval system, transmitted in any form or by any means, electronic, mechanical photocopying, recording or otherwise, without prior written permission of the publisher.

CommScope, 29-March-2016