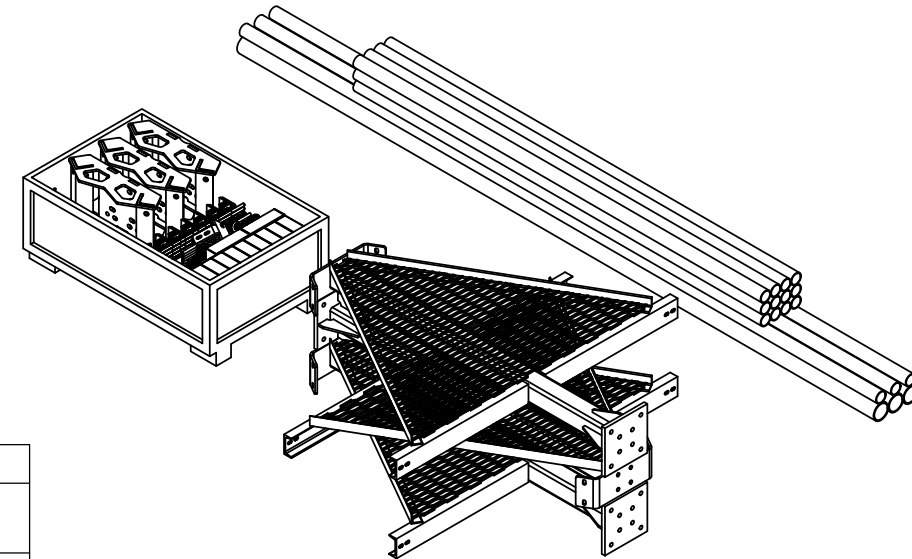


ITEM	PART NO.	DESCRIPTION	QTY.	WEIGHT	NOTE NO.
1	MCCP1214SHK	HARDWARE KIT FOR MC-CP12/14S	1	514.47 LBS	
2	MTC360714...	STEEL BUNDLE SEE TABLE	1	-	1
3	MCCP12...	PIPE BUNDEL SEE TABLE	1	-	1

REVISIONS				
REV.	ECN	DESCRIPTION	BY	DATE
A	8000006976	INITIAL RELEASE	MSM	03/23/15

### MC-CP12S SERIES & MC-CP14S SERIES

PART NO.	DESCRIPTION	STEEL BUNDLE	PIPE BUNDLE	TOTAL WEIGHT
MC-CP12S-B	LOAD ENHANCED CO-LOC PLATFORM, 12'-6" FACE, 10-30, NO PIPE	MTC360714LSB	MCCP12BPB	1418.10 LBS
MC-CP12S-12-96	LOAD ENHANCED CO-LOC PLATFORM, 12'-6" FACE, 10-30, (12) 96" PIPE	MTC360714LSB	MCCP1296PB	1766.92 LBS
MC-CP12S-12-126	LOAD ENHANCED CO-LOC PLATFORM, 12'-6" FACE, 10-30, (12) 126" PIPE	MTC360714LSB	MCCP12126PB	1783.56 LBS
MC-CP14S-B	LOAD ENHANCED CO-LOC PLATFORM, 14'-6" FACE, 10-30, NO PIPE	MTC360714SSB	MCCP14BPB	1602.03 LBS
MC-CP14S-12-96	LOAD ENHANCED CO-LOC PLATFORM, 14'-6" FACE, 10-30, (12) 96" PIPE	MTC360714SSB	MTC3607LSB	1950.85 LBS
MC-CP14S-12-126	LOAD ENHANCED CO-LOC PLATFORM, 14'-6" FACE, 10-30, (12) 126" PIPE	MTC360714SSB	MCCP14126SB	1967.49 LBS



**NOTES:**

1. SEE TABLE.
2. FITS MONOPOLES 10"–30" OD.
3. CUSTOMER ASSEMBLY SHEETS 2–5.

These drawings and specifications are the proprietary property of CommScope Inc. and may be used only for the specific purpose authorized in writing by CommScope Inc.

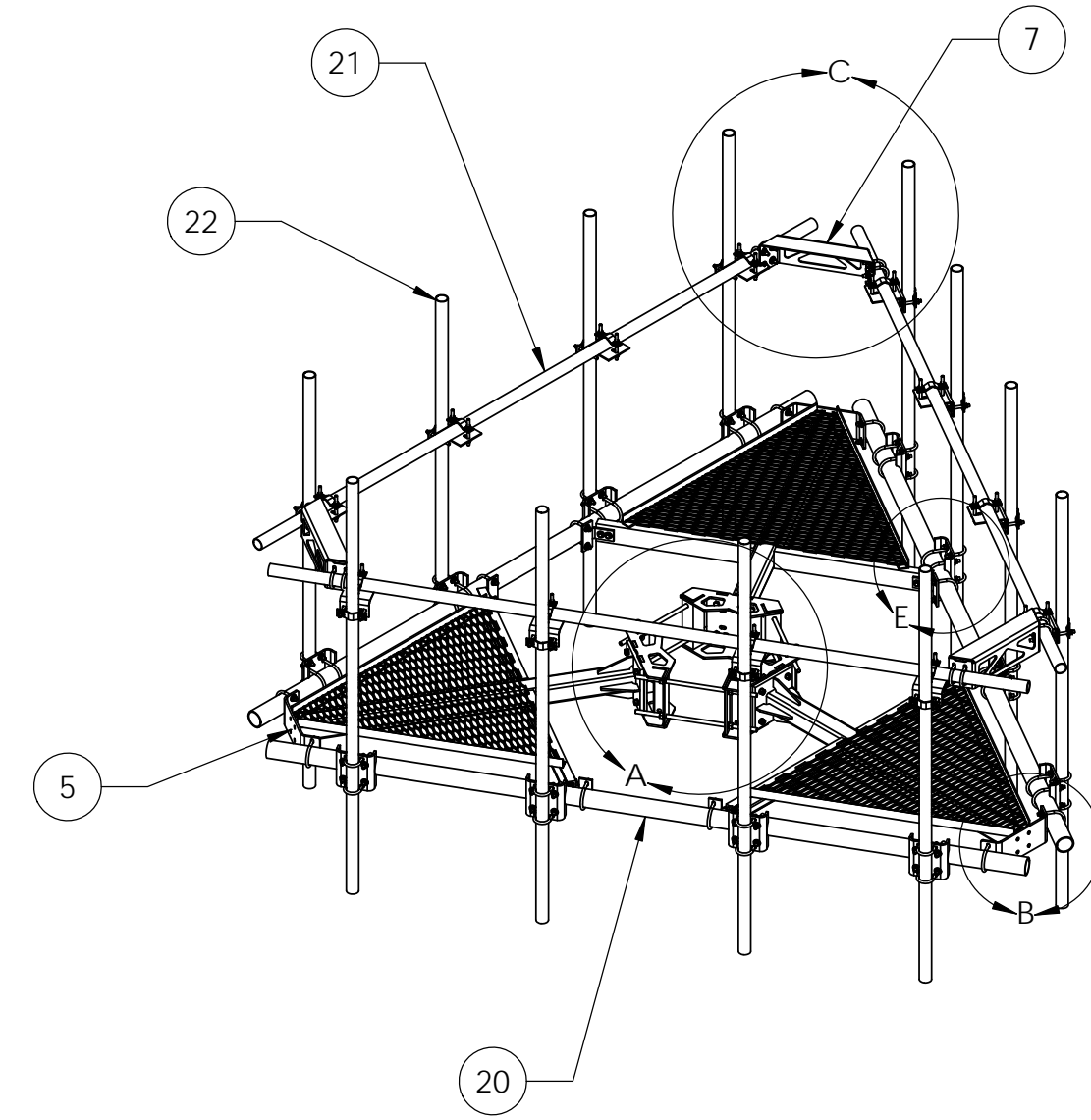
ALL DIMENSIONS ARE IN INCHES U.O.S. TOLERANCES UNLESS OTHERWISE SPECIFIED:  
.X = ± .12      ANGLES      ±2°  
.XX = ± .06      FRACTIONS      ±1/32  
.XXX = ± .03

REMOVE BURRS AND BREAK EDGES .005

DO NOT SCALE THIS PRINT

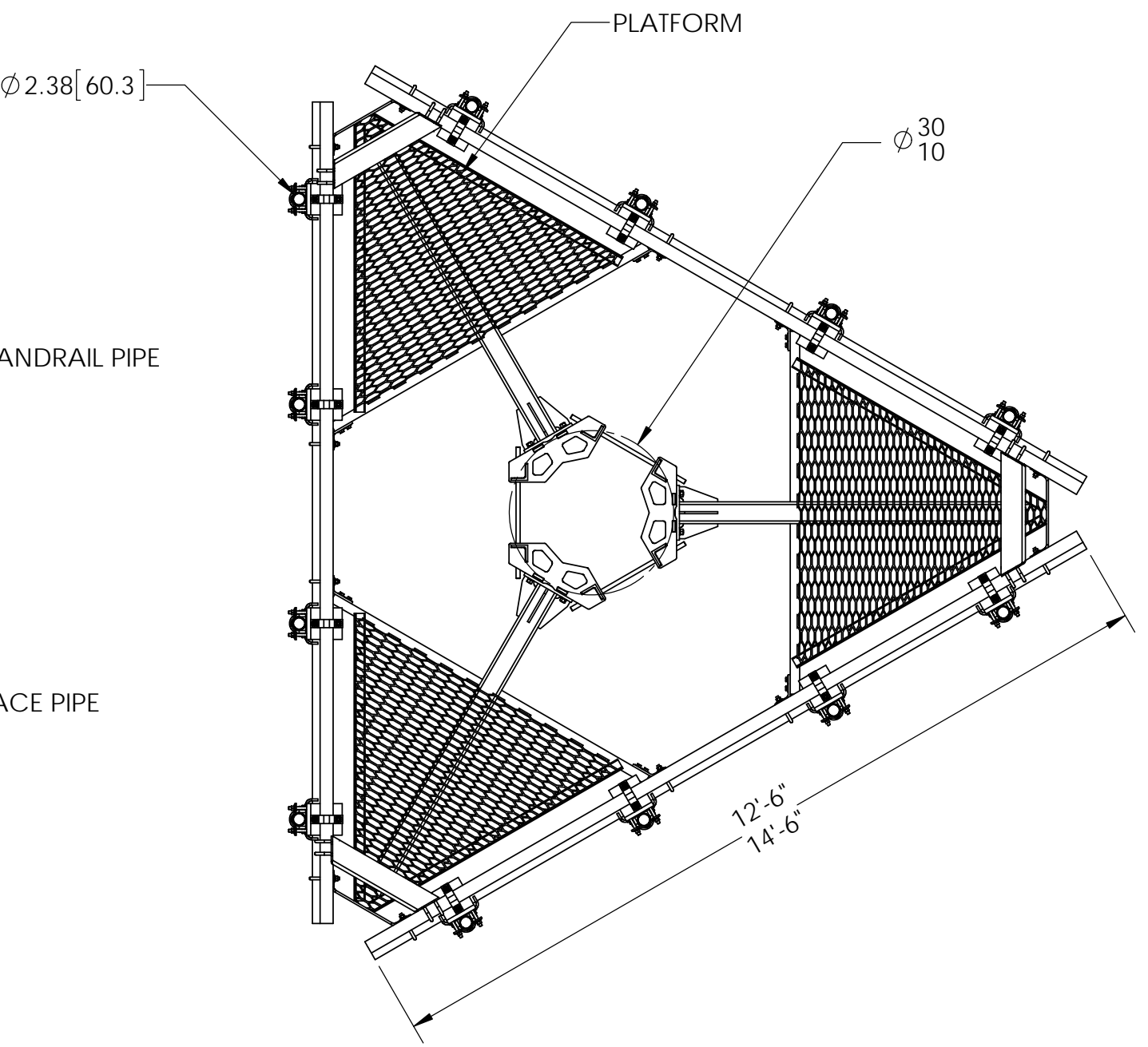
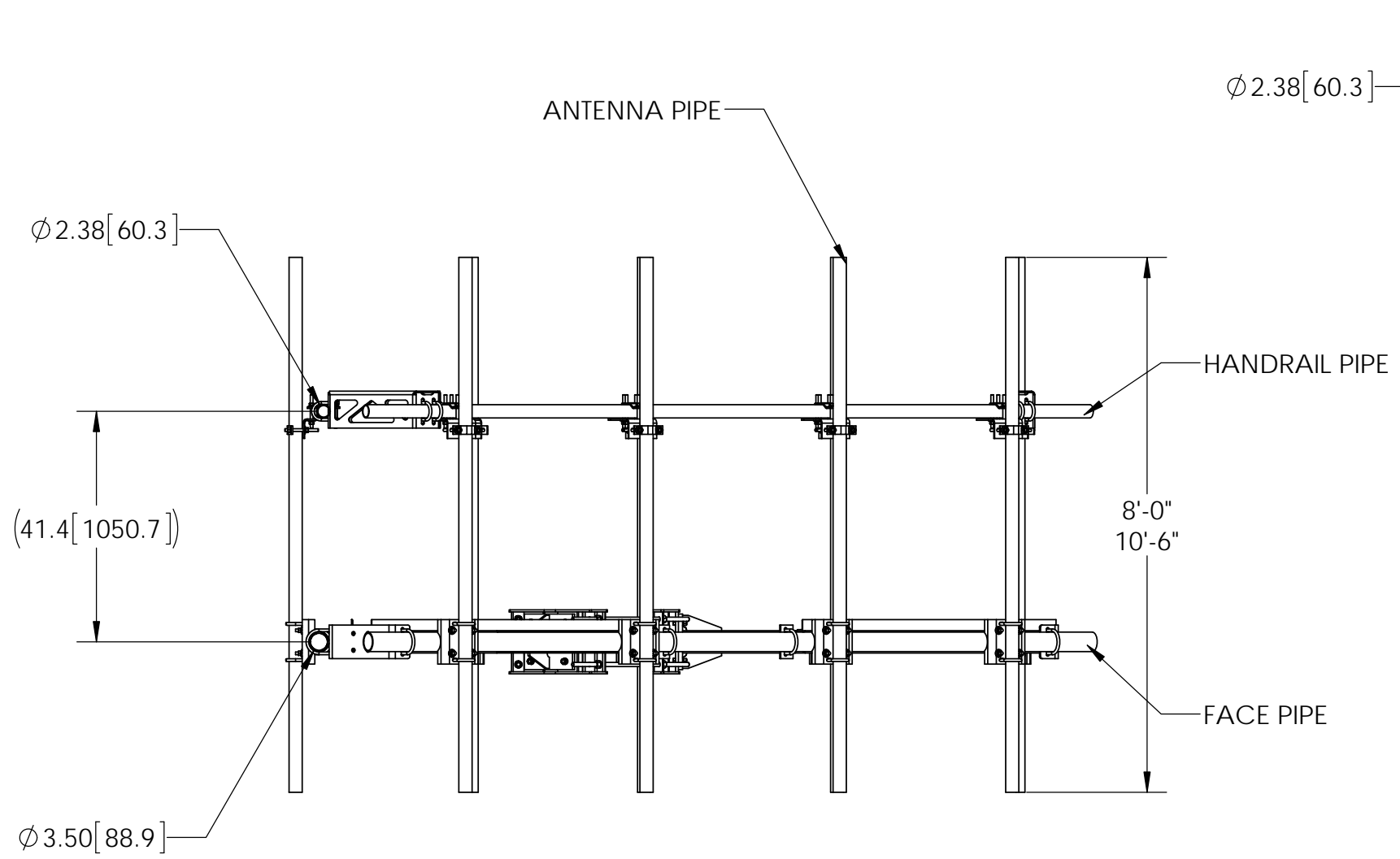
DRAWN BY: MSM	SHEET: 1 of 5	PART NUMBER: MC-CP12S SERIES
CHECKED BY: TP	SCALE: NTS	DESCRIPTION: LOAD ENHANCED CO-LOC PLATFORM, 10-30 SERIES
DATE: 02/09/15	MATERIAL: A36, A500, A568	DRAWING TYPE: ASSEMBLY DRAWING
REVISION: A	FINISH: GALV A123	 Hickory, NC 28602 U.S.A.
	WEIGHT: SEE TABLE	

ITEM	PART NO.	DESCRIPTION	QTY.	WEIGHT	NOTE NO.
1	RM1030305	10-30 3-SECTOR RM WLDMNT	3	44.32 LBS	
2	MT38424	3/4" X 24" GALV THREADED ROD	6	2.99 LBS	
3	GWL-06	3/4" GALV LOCK WASHER	12	0.04 LBS	
4	GN-06	3/4" GALV HEX NUT	12	0.12 LBS	
5	MTC3607...	LOW PROFILE PLATFORM WLDMNT	3	-	1
6	MT19617	MT196 Pipe Mount Plate	6	2.49 LBS	
7	MT19525	Corner Weldment	3	14.61 LBS	
8	XAU01	Angle BRK	12	3.59 LBS	
9	ACP10	1.5" - 3.5" O.D. CLAMP HALF	24	0.61 LBS	
10	MT21701	PIPE MOUNT PLATE	12	7.93 LBS	
11	GB-0520A	5/8" X 2" GALV BOLT KIT (A325)	12	0.27 LBS	
12	MT-379-6	1/2" X 6" GALV THREADED ROD	48	0.33 LBS	
13	GB-04145	1/2" X 1-1/2" GALV BOLT KIT	12	0.13 LBS	
14	GWF-04	1/2" GALV FLAT WASHER	120	0.03 LBS	
15	GWL-04	1/2" GALV LOCK WASHER	96	0.01 LBS	
16	GN-04	1/2" GALV HEX NUT	96	0.04 LBS	
17	GUB-4240	1/2" X 2-1/2" X 4" GALV U-BOLT	36	0.56 LBS	
18	GUB-4355	1/2" X 3-5/8" X 5" GALV U-BOLT	12	0.71 LBS	
19	GUB-4356	1/2" X 3-5/8" X 6" GALV U-BOLT	24	0.82 LBS	
20	MT...	Ø 3.5" O.D. X FACE PIPE	3	-	1
21	MT-651...	Ø 2.375" OD x HANDRAIL PIPE	3	-	1
22	MT...	Ø 2.375" OD X x" PIPE	12	-	1



NOTES:  
 1. SEE TABLE SHEET 3.  
 2. FITS MONOPOLES 10"-30" OD.

These drawings and specifications are the proprietary property of CommScope Inc. and may be used only for the specific purpose authorized in writing by CommScope Inc.  ALL DIMENSIONS ARE IN INCHES U.O.S. TOLERANCES UNLESS OTHERWISE SPECIFIED: .X = ± .12      ANGLES      ±2° .XX = ± .06      FRACTIONS      ±1/32 .XXX = ± .03  REMOVE BURRS AND BREAK EDGES .005  DO NOT SCALE THIS PRINT	DRAWN BY: MSM	SHEET: 2 of 5	PART NUMBER: MC-CP12S SERIES
	CHECKED BY: TP	SCALE: NTS	DESCRIPTION: LOAD ENHANCED CO-LOC PLATFORM, 10-30 SERIES
	DATE: 02/09/15	MATERIAL: A36, A500, A529	DRAWING TYPE: ASSEMBLY DRAWING
	REVISION: <b>A</b>	FINISH: Galv A123	 Hickory, NC 28602 U.S.A.
	WEIGHT: SEE TABLE		



PART NO.	PLATFORM	FACE PIPE	HANDRAIL PIPE	ANTENNA PIPE
MC-CP12S-B	MTC360701	MT21601	MT-651-150	NONE
MC-CP12S-12-96	MTC360701	MT21601	MT165-150	MT-651-96
MC-CP12S-12-126	MTC360701	MT21601	MT-165-150	MT-651-126
MC-CP14S-B	MTC360711	MT-547-174	MT-165-174	NONE
MC-CP14S-12-96	MTC360711	MT-547-174	MT-651-174	MT-651-96
MC-CP14S-12-126	MTC360711	MT-547-174	MT-165-174	MT-651-126

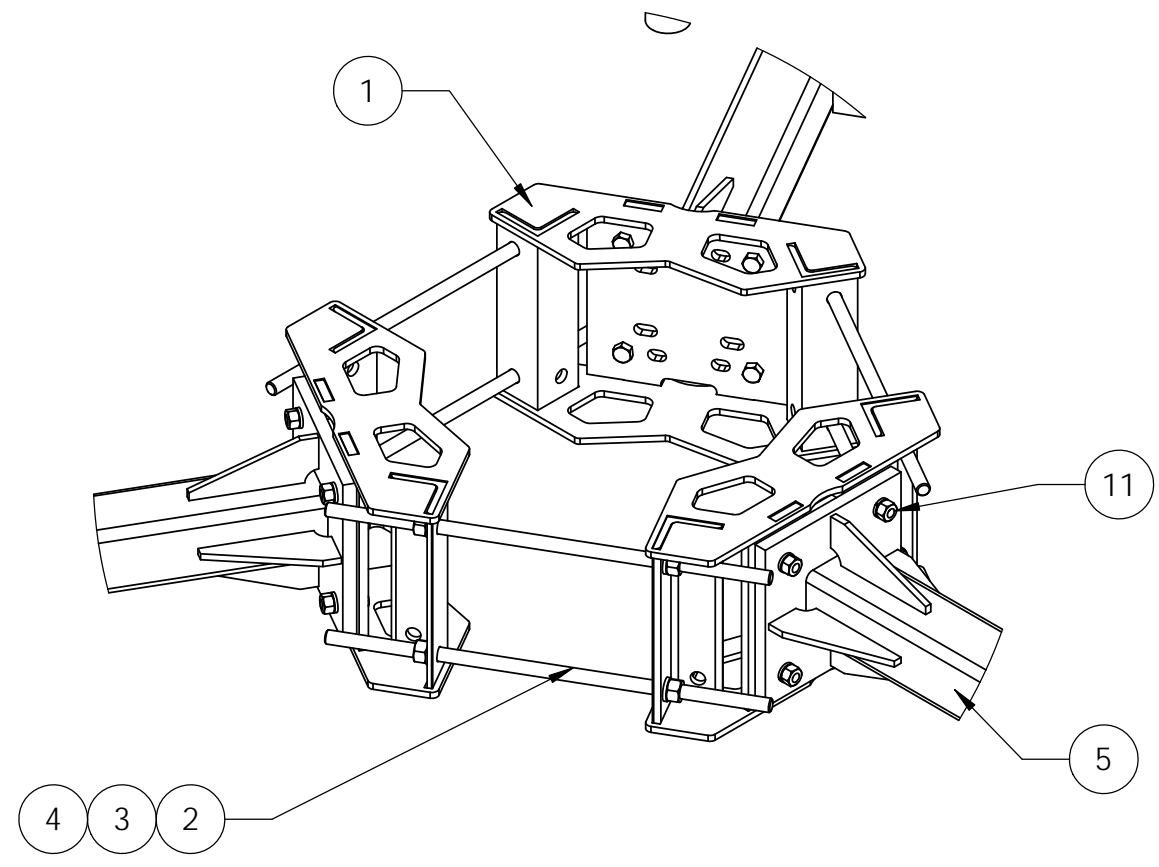
These drawings and specifications are the proprietary property of CommScope Inc. and may be used only for the specific purpose authorized in writing by CommScope Inc.

ALL DIMENSIONS ARE IN INCHES U.O.S.  
TOLERANCES UNLESS OTHERWISE SPECIFIED:  
.X = ± .12 ANGLES ±2°  
.XX = ± .06 FRACTIONS ±1/32  
.XXX = ± .03

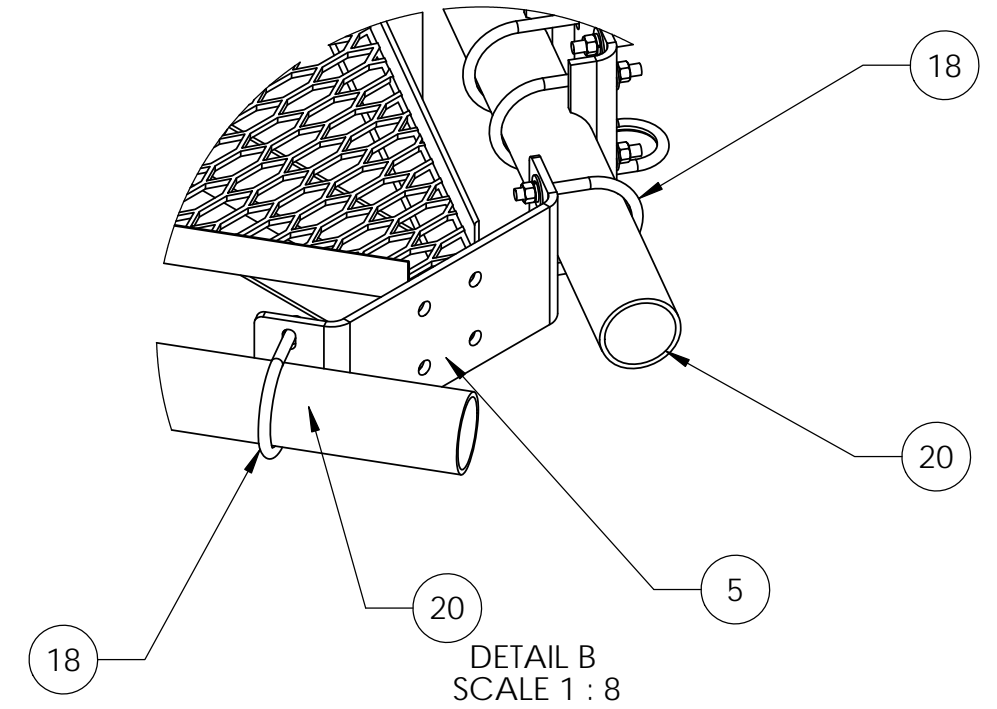
REMOVE BURRS AND BREAK EDGES .005

DO NOT SCALE THIS PRINT

DRAWN BY: MSM	SHEET: 3 of 5	PART NUMBER: MC-CP12S SERIES
CHECKED BY: TP	SCALE: NTS	DESCRIPTION: LOAD ENHANCED CO-LOC PLATFORM, 10-30 SERIES
DATE: 02/09/15	MATERIAL: A36, A500, A529	DRAWING TYPE: ASSEMBLY DRAWING
REVISION: A	FINISH: Galv A123	<b>COMMSCOPE®</b> Hickory, NC 28602 U.S.A.
	WEIGHT: SEE TABLE	



DETAIL A  
SCALE 1 : 10



DETAIL B  
SCALE 1 : 8

These drawings and specifications are the proprietary property of CommScope Inc. and may be used only for the specific purpose authorized in writing by CommScope Inc.

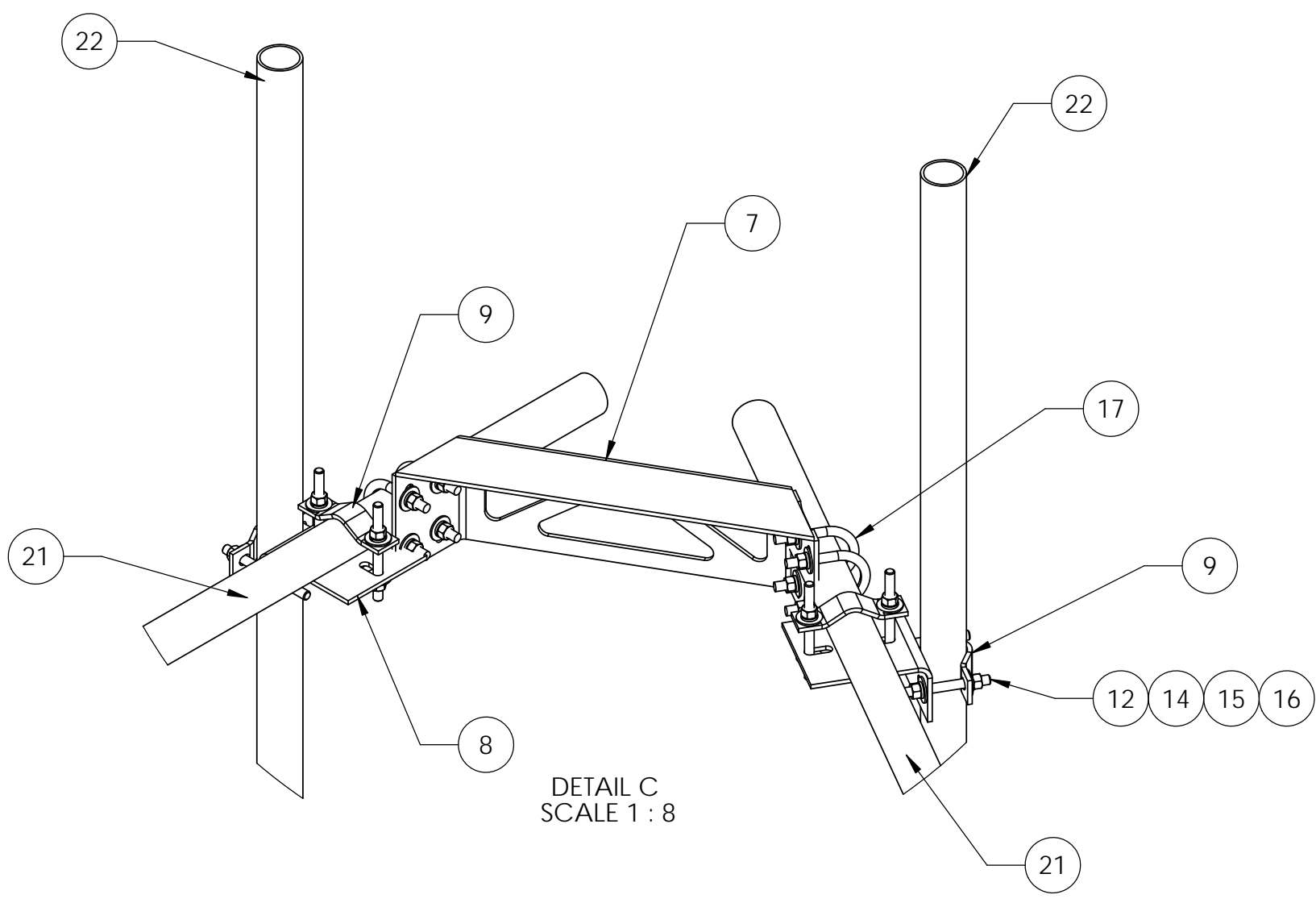
ALL DIMENSIONS ARE IN INCHES U.O.S.  
TOLERANCES UNLESS OTHERWISE SPECIFIED:  
.X = ± .12      ANGLES      ±2°  
.XX = ± .06      FRACTIONS      ±1/32  
.XXX = ± .03

REMOVE BURRS AND BREAK EDGES .005

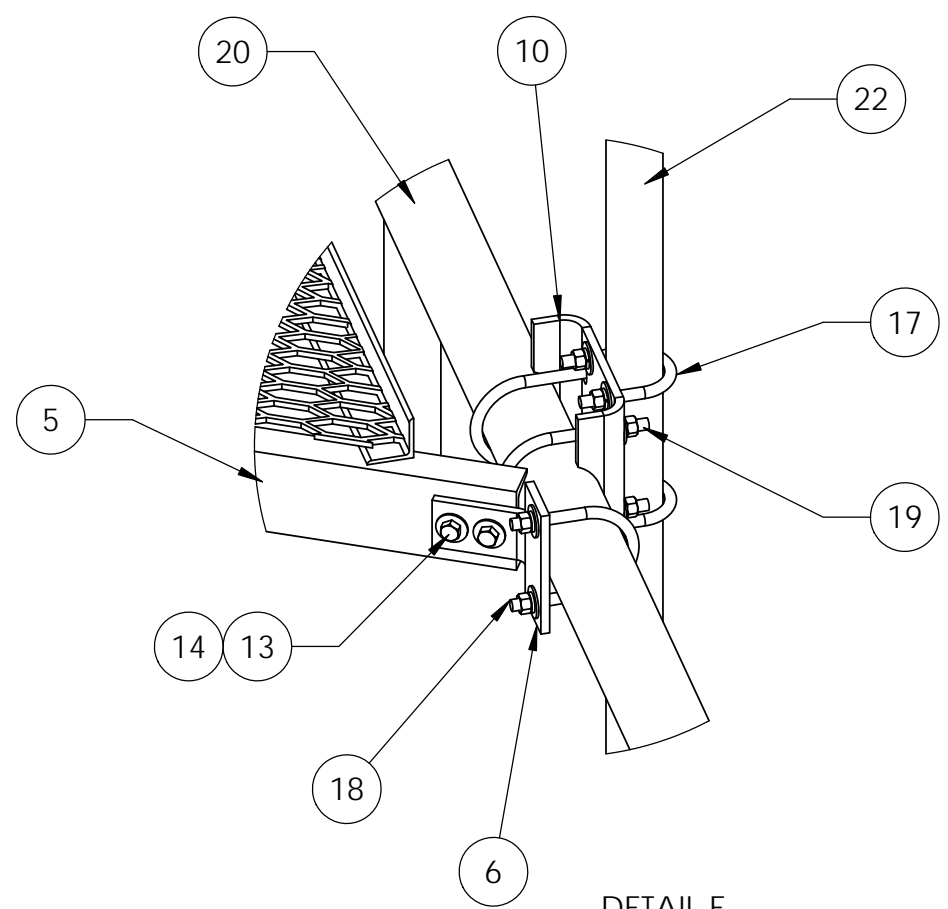
DO NOT SCALE THIS PRINT

DRAWN BY: MSM	SHEET: 4 of 5
CHECKED BY: TP	SCALE: NTS
DATE: 02/09/15	MATERIAL: A36, A500, A529
REVISION: <b>A</b>	FINISH: Galv A123
	WEIGHT: SEE TABLE

PART NUMBER: <b>MC-CP12S SERIES</b>
DESCRIPTION: LOAD ENHANCED CO-LOC PLATFORM, 10-30 SERIES
DRAWING TYPE: ASSEMBLY DRAWING
<b>COMMSCOPE®</b> Hickory, NC 28602      U.S.A.



DETAIL C  
SCALE 1 : 8



DETAIL E  
SCALE 1 : 8

These drawings and specifications are the proprietary property of CommScope Inc. and may be used only for the specific purpose authorized in writing by CommScope Inc.

ALL DIMENSIONS ARE IN INCHES U.O.S.  
TOLERANCES UNLESS OTHERWISE SPECIFIED:  
.X = ± .12      ANGLES      ±2°  
.XX = ± .06      FRACTIONS      ±1/32  
.XXX = ± .03

REMOVE BURRS AND BREAK EDGES .005

DO NOT SCALE THIS PRINT

DRAWN BY: MSM	SHEET: 5 of 5
CHECKED BY: TP	SCALE: NTS
DATE: 02/09/15	MATERIAL: A36, A500, A529
REVISION: <b>A</b>	FINISH: Galv A123
	WEIGHT: SEE TABLE

PART NUMBER: <b>MC-CP12S SERIES</b>
DESCRIPTION: LOAD ENHANCED CO-LOC PLATFORM, 10-30 SERIES
DRAWING TYPE: ASSEMBLY DRAWING
<b>COMMSCOPE®</b> Hickory, NC 28602      U.S.A.