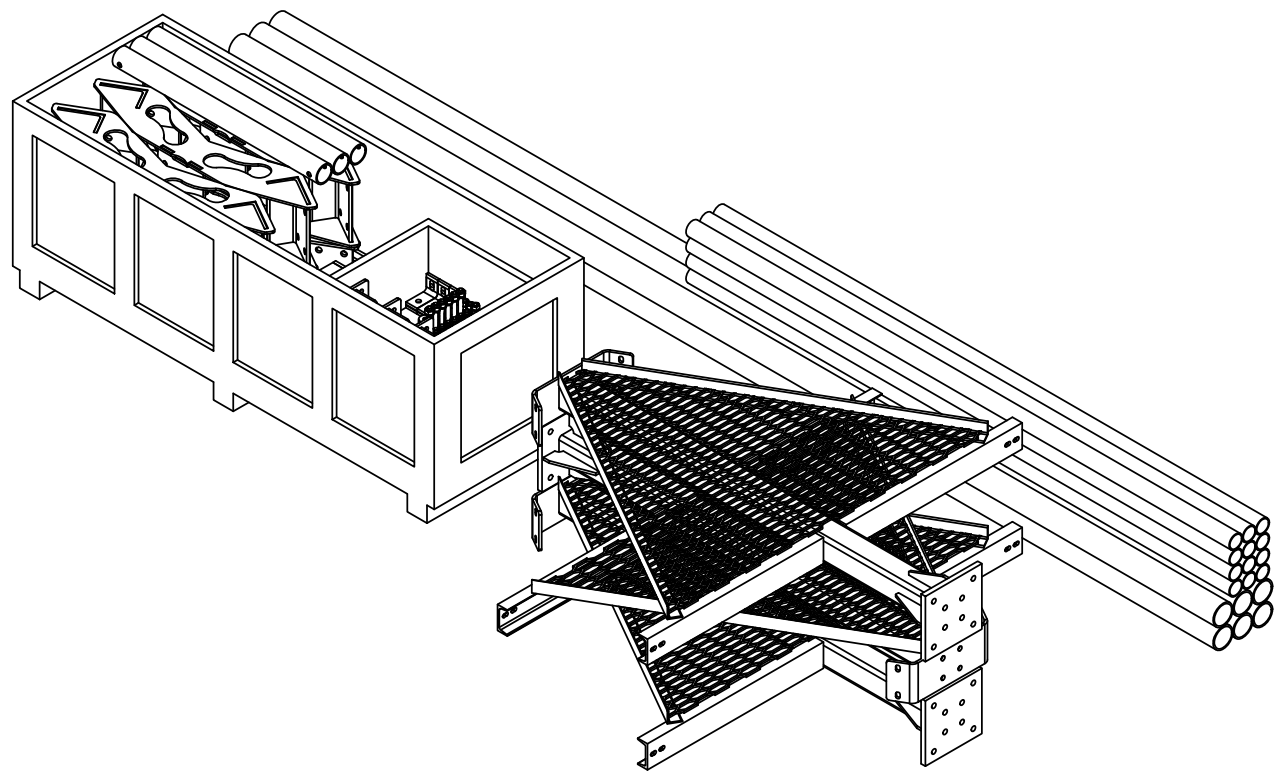


ITEM	PART NO.	DESCRIPTION	QTY.	WEIGHT	NOTE NO.
1	MTC360714LSB	STEEL BUNDLE MTC360714L	1	573.14 LBS	
2	MCHP14L12HK	HARDWARE KIT FOR MC-HP14L-12 SERIES	1	1021.54 LBS	
3	SEE TABLE	PIPE KIT	1	-	1

REVISIONS				
REV.	ECN	DESCRIPTION	BY	DATE
A	8000006947	INITIAL RELEASE	MSM	03/20/15
B	8000014273	CHANGED LENGTH OF (12) ϕ 5/8" BOLTS TO 2-1/2"	DRR	05/19/16




MC-HP-14L SERIES

PART NO.	DESCRIPTION	PIPE BUNDLE	TOTAL WEIGHT
MC-HP14L-B	LOAD ENHANCED CO-LOC. PLATFORM, 14'-6" FACE, 30-60	MCHP14BPB	2086.16 LBS
MC-HP14L-12-96	LOAD ENHANCED CO-LOC. PLATFORM, 14'-6" FACE, 30-60, (12) 96" PIPE	MTC360714SB	2434.98 LBS
MC-HP14L-12-126	LOAD ENHANCED CO-LOC. PLATFORM, 14'-6" FACE, 30-60, (12) 126" PIPE	MCHP1412126PB	2451.62 LBS

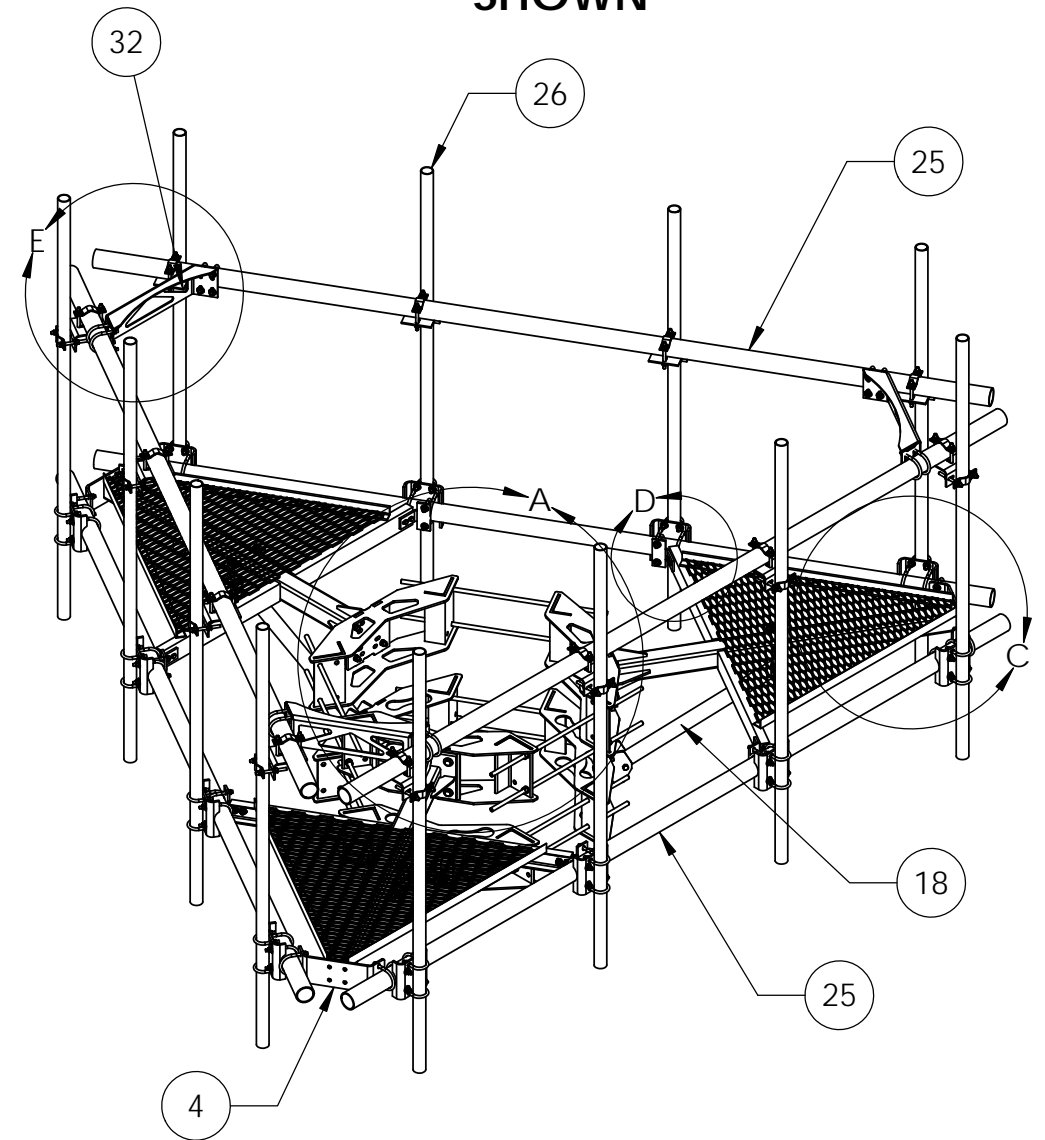
NOTES:

1. SEE TABLE
2. FIT MONOPOLES 30"-60" OD.
3. CUSTOMER ASSEMBLY SHEETS 2-5.

These drawings and specifications are the proprietary property of CommScope Inc. and may be used only for the specific purpose authorized in writing by CommScope Inc. ALL DIMENSIONS ARE IN INCHES U.O.S. TOLERANCES UNLESS OTHERWISE SPECIFIED: .X = \pm .12 ANGLES \pm 2' .XX = \pm .06 FRACTIONS \pm 1/32 .XXX = \pm .03 REMOVE BURRS AND BREAK EDGES .005 DO NOT SCALE THIS PRINT	DRAWN BY: MSM	SHEET: 1 of 5	PART NUMBER: MC-HP14L SERIES
	CHECKED BY: TP	SCALE: NTS	DESCRIPTION: LOAD ENHANCED CO-LO. PLATFORM, 14'-6" FACE, 30-60
	DATE: 02/09/15	MATERIAL: A36, A500, A529	DRAWING TYPE: ASSEMBLY DRAWING
	REVISION: B	FINISH: GALV A123 WEIGHT: 2599.10 LBS	 Hickory, NC 28602 U.S.A.

ITEM	PART NO.	DESCRIPTION	QTY.	WEIGHT	NOTE NO.
1	MT38440	3/4" X 40" GALV THREADED ROD GRADE B7	12	4.98 LBS	
2	GWL-06	3/4" GALV LOCK WASHER	24	0.04 LBS	
3	GN-06	3/4" GALV HEX NUT	24	0.12 LBS	
4	MTC360701	LOW PROFILE PLATFORM WLDMNT 30-60 RM	3	191.05 LBS	
5	GB-04145	1/2" X 1-1/2" GALV BOLT KIT	12	0.13 LBS	
6	GUB-4240	1/2" X 2-1/2" X 4" GALV U-BOLT	24	0.56 LBS	
7	GUB-4355	1/2" X 3-5/8" X 5" GALV U-BOLT	24	0.70 LBS	
8	GUB-4356	1/2" X 3-5/8" X 6" GALV U-BOLT	24	0.81 LBS	
9	ACP10	1.5" - 3.5" O.D. CLAMP HALF	24	0.61 LBS	
10	XAU01	Angle BRK	12	3.59 LBS	
11	MT-379-6	1/2" X 6" GALV THREADED ROD	48	0.33 LBS	
12	GWF-04	1/2" GALV FLAT WASHER	108	0.03 LBS	
13	GWL-04	1/2" GALV LOCK WASHER	96	0.01 LBS	
14	GN-04	1/2" GALV HEX NUT	96	0.04 LBS	
15	MTC323704	Clamp Bar	6	2.37 LBS	
16	RK01	KICKER STANDOFF WELDMENT	3	12.54 LBS	
17	RK02	CONNECTION BRACKET	6	1.21 LBS	
18	RK36	KICKER ARM SUPPORT TUBE , 36"	3	16.02 LBS	
19	MT-381-8	5/8" X 8" GALV THREADED ROD	6	0.69 LBS	
20	GWF-05	5/8" GALV FLAT WASHER	24	0.06 LBS	
21	GWL-05	5/8" GALV LOCK WASHER	12	0.03 LBS	
22	GN-05	5/8" GALV HEX NUT	12	0.08 LBS	
23	GB-0546A	5/8" X 4-3/4" GALV BOLT KIT A325	6	0.50 LBS	
24	GB-0520A	5/8" X 2" GALV BOLT KIT (A325)	12	0.26 LBS	
25	MT-547-174	3.5" O.D. X 174" PIPE	6	109.27 LBS	
26	SEE TABLE	Ø 2.375" OD X 96" PIPE	12	-	1
27	RM3060305	30-60 3 SECTOR RM WLDMNT	3	76.86 LBS	
28	MT19617	MT196 Pipe Mount Plate	6	2.49 LBS	
29	MT21701	PIPE MOUNT PLATE	12	7.93 LBS	
30	MTC306505W	3060 RM Weldment	3	58.21 LBS	
31	GB-0524A	5/8" X 2-1/2" GALV. BOLT KIT (A325)	12	0.32 LBS	
32	MT19525	CORNER WELDMENT FOR MT-195	3	14.56 LBS	

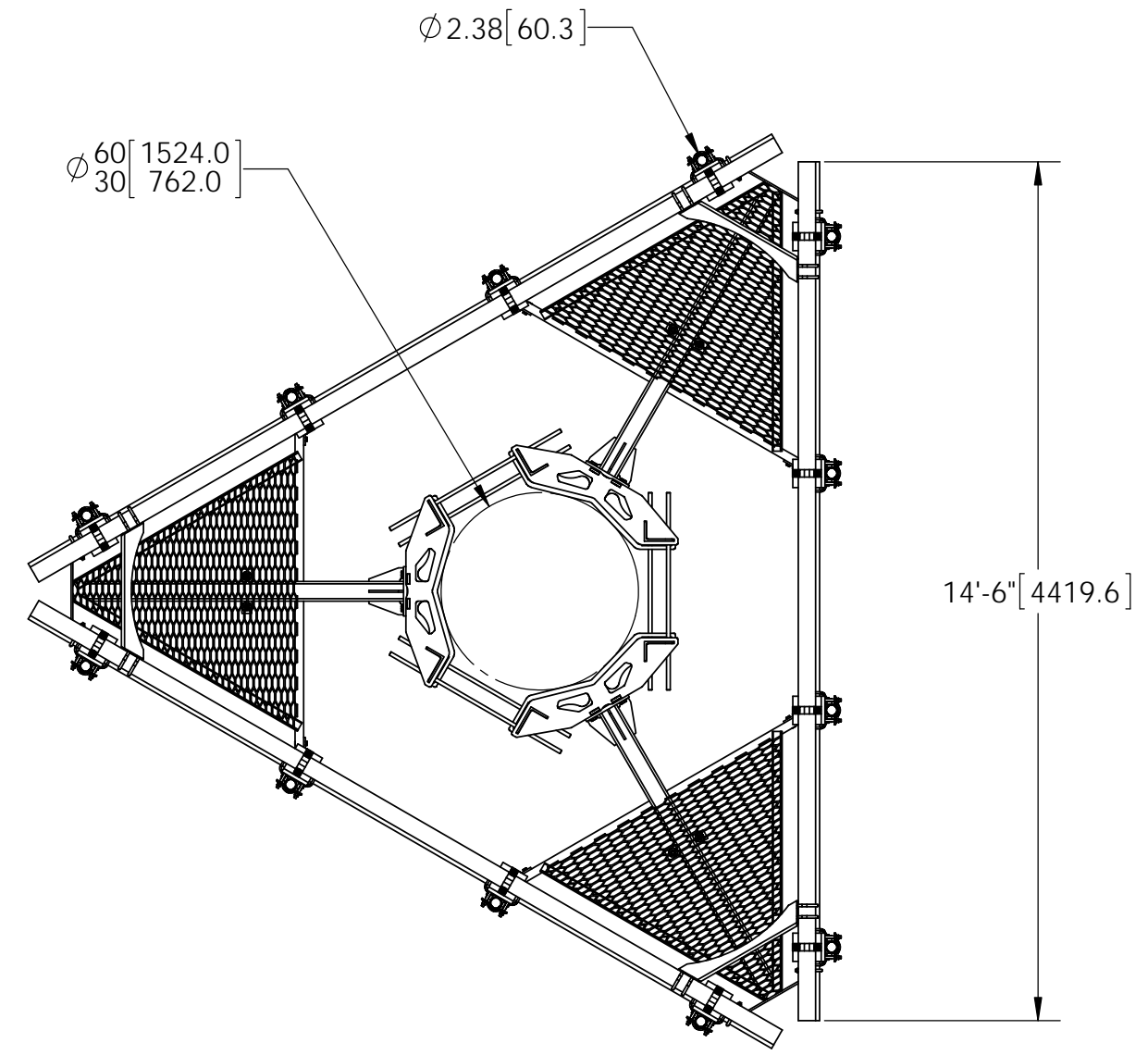
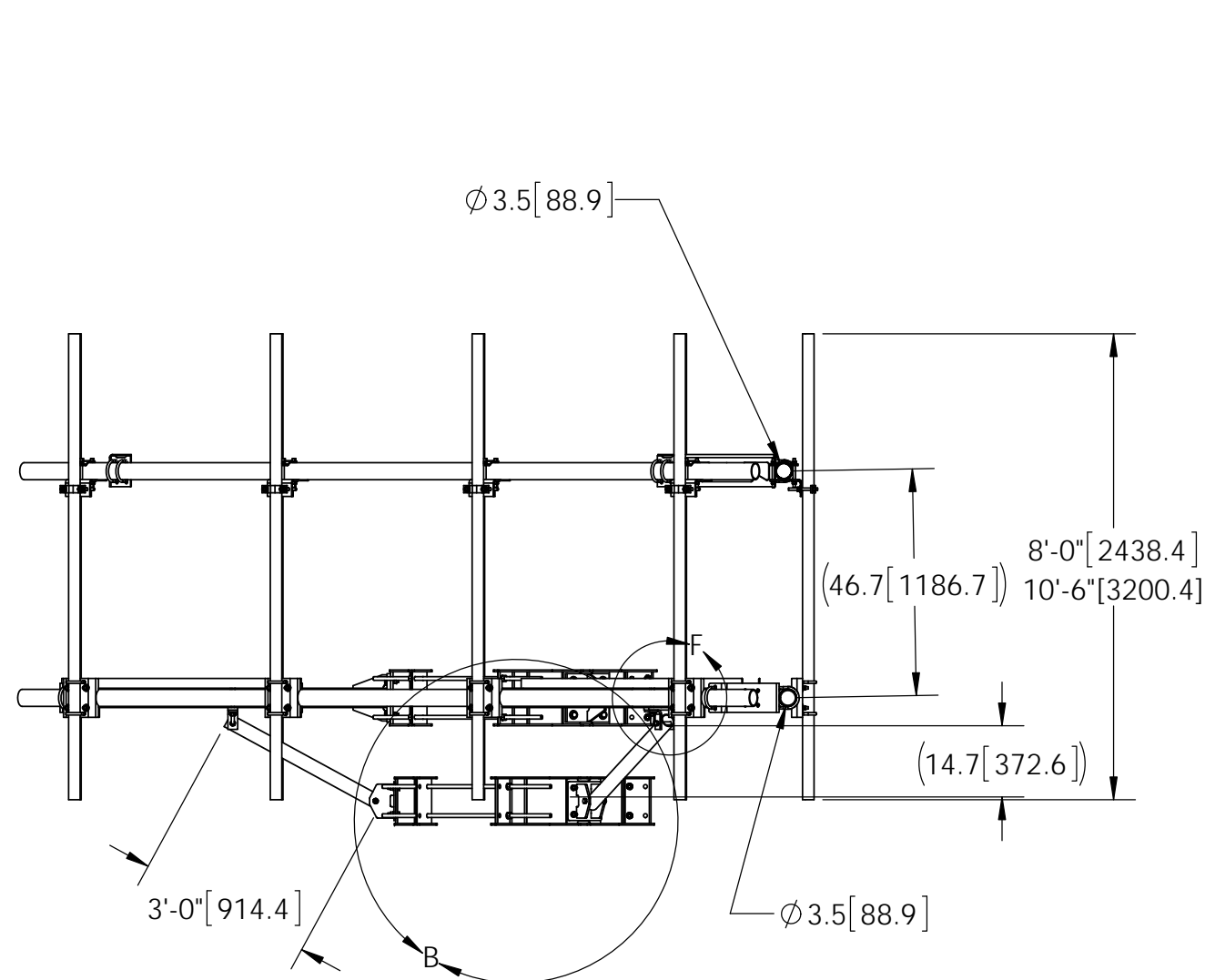
**MC-HP14L-12-96
SHOWN**



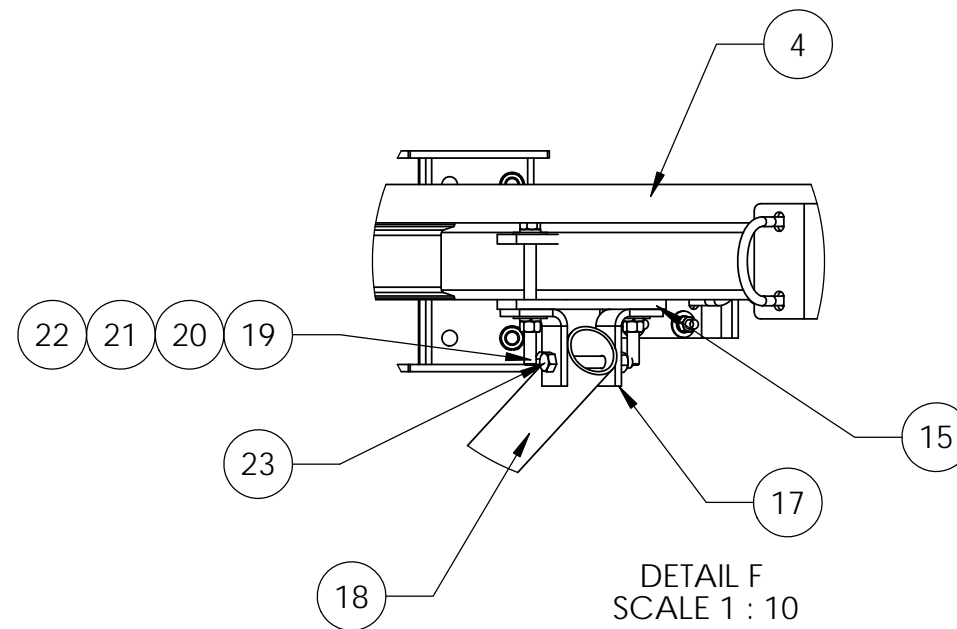
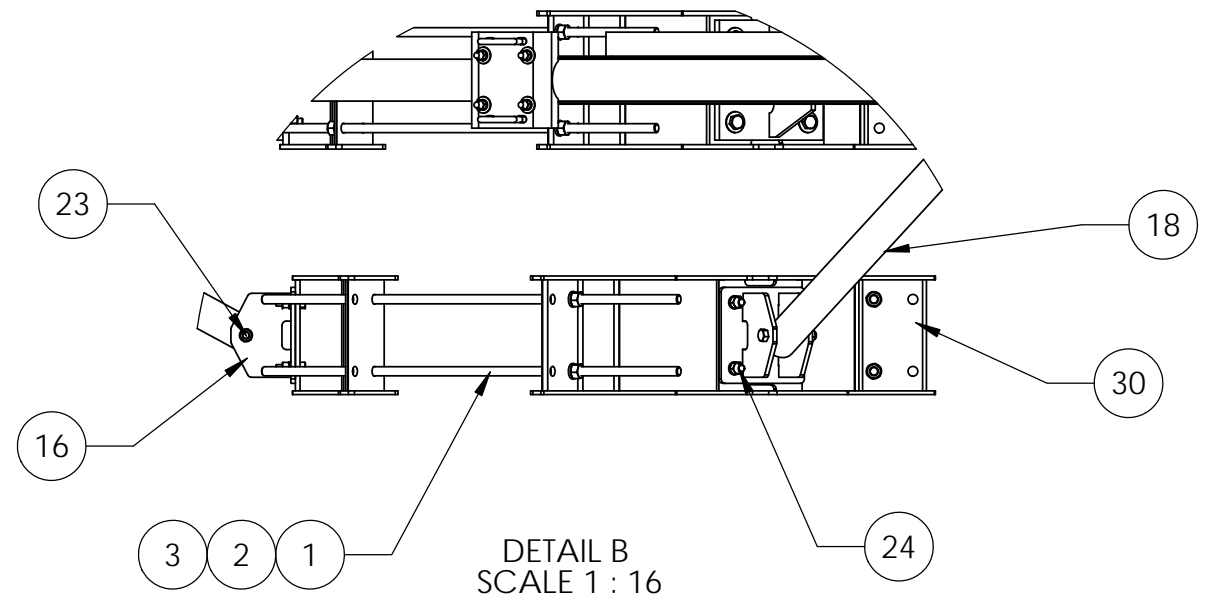
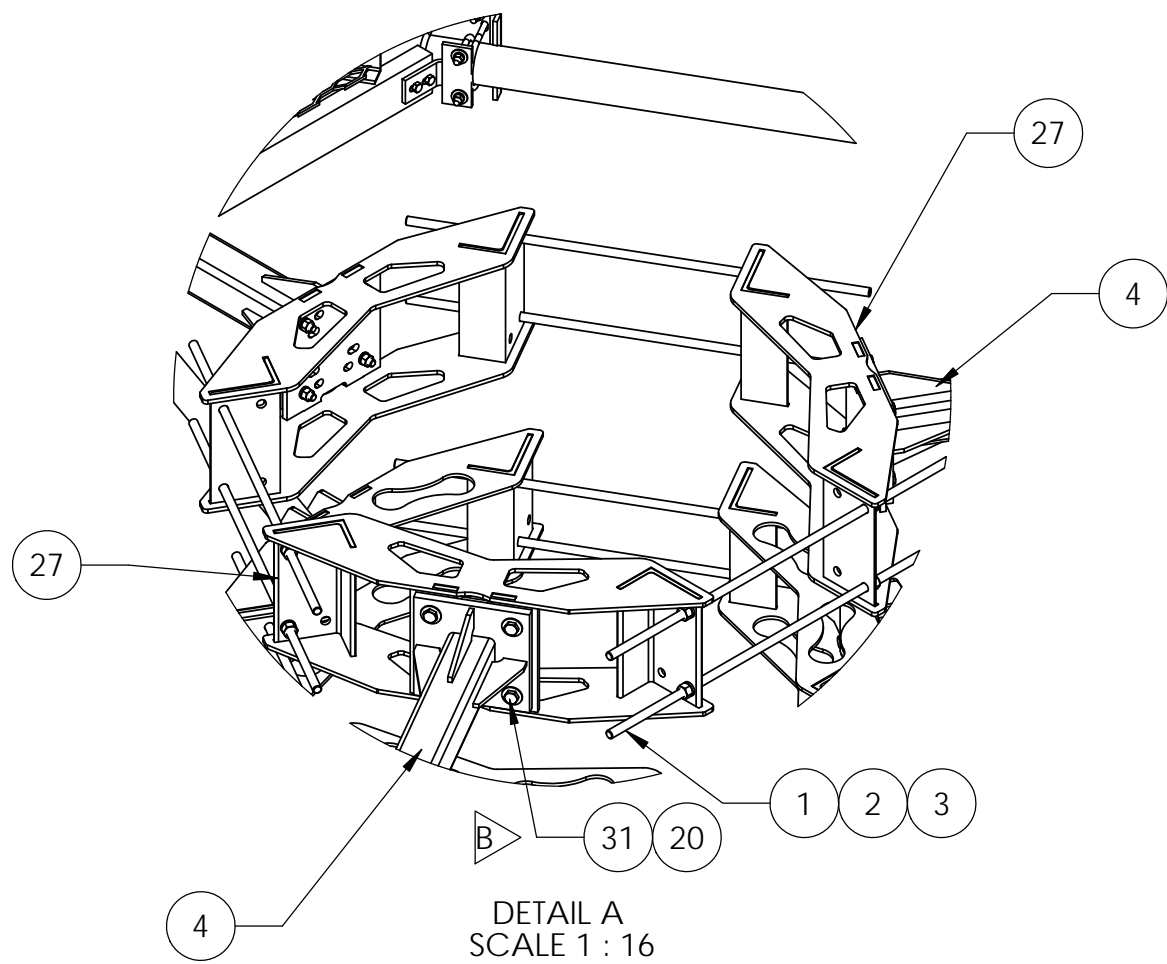
MC-HP14L SERIES ANTENNA PIPE

PART NO.	QTY	ANTENNA PIPE	DESCRIPTION
MC-HP14L-B	0	NONE	NONE
MC-HP14L-12-96	12	MT-651-96	GALV PIPE 2-3/8"OD X 96"
MC-HP14L-12-126	12	MT-537	GALV PIPE 2-3/8"OD X 126"

<p>These drawings and specifications are the proprietary property of Commscope Inc. and may be used only for the specific purpose authorized in writing by Commscope Inc.</p> <p>ALL DIMENSIONS ARE IN INCHES U.O.S. TOLERANCES UNLESS OTHERWISE SPECIFIED: .X = ± .12 ANGLES ±2° .XX = ± .06 FRACTIONS ±1/32 .XXX = ± .03</p> <p>REMOVE BURRS AND BREAK EDGES .005</p> <p>DO NOT SCALE THIS PRINT</p>	DRAWN BY: MSM	SHEET: 2 of 5	PART NUMBER: MC-HP14L SERIES
	CHECKED BY: TP	SCALE: NTS	DESCRIPTION: LOAD ENHANCED CO-LO. PLATFORM, 14'-6" FACE, 30-60
	DATE: 02/09/15	MATERIAL: A36, A500, A529	DRAWING TYPE: ASSEMBLY DRAWING
	REVISION: B	FINISH: Galv A123	 Hickory, NC 28602 U.S.A.
	WEIGHT: 2475.35 LBS		



<p>These drawings and specifications are the proprietary property of CommScope Inc. and may be used only for the specific purpose authorized in writing by CommScope Inc.</p> <p>ALL DIMENSIONS ARE IN INCHES U.S.S. TOLERANCES UNLESS OTHERWISE SPECIFIED: .X = ± .12 ANGLES ±2° .XX = ± .06 FRACTIONS ±1/32 .XXX = ± .03</p> <p>REMOVE BURRS AND BREAK EDGES .005</p> <p>DO NOT SCALE THIS PRINT</p>	DRAWN BY: MSM	SHEET: 3 of 5	PART NUMBER: MC-HP14L SERIES
	CHECKED BY: TP	SCALE: NTS	DESCRIPTION: LOAD ENHANCED CO-LO. PLATFORM, 14'-6" FACE, 30-60
	DATE: 02/09/15	MATERIAL: A36, A500, A529	DRAWING TYPE: ASSEMBLY DRAWING
	REVISION: B	FINISH: Galv A123 WEIGHT: 2475.35 LBS	 Hickory, NC 28602 U.S.A.



These drawings and specifications are the proprietary property of CommScope Inc. and may be used only for the specific purpose authorized in writing by CommScope Inc.

ALL DIMENSIONS ARE IN INCHES U.O.S.
TOLERANCES UNLESS OTHERWISE SPECIFIED:
.X = ± .12 ANGLES ±2°
.XX = ± .06 FRACTIONS ±1/32
.XXX = ± .03

REMOVE BURRS AND BREAK EDGES .005

DO NOT SCALE THIS PRINT

DRAWN BY:

MSM

CHECKED BY:

TP

DATE:

02/09/15

REVISION:

B

SHEET:

4 of 5

SCALE:

NTS

MATERIAL:

A36, A500, A529

FINISH:

Galv A123

WEIGHT:

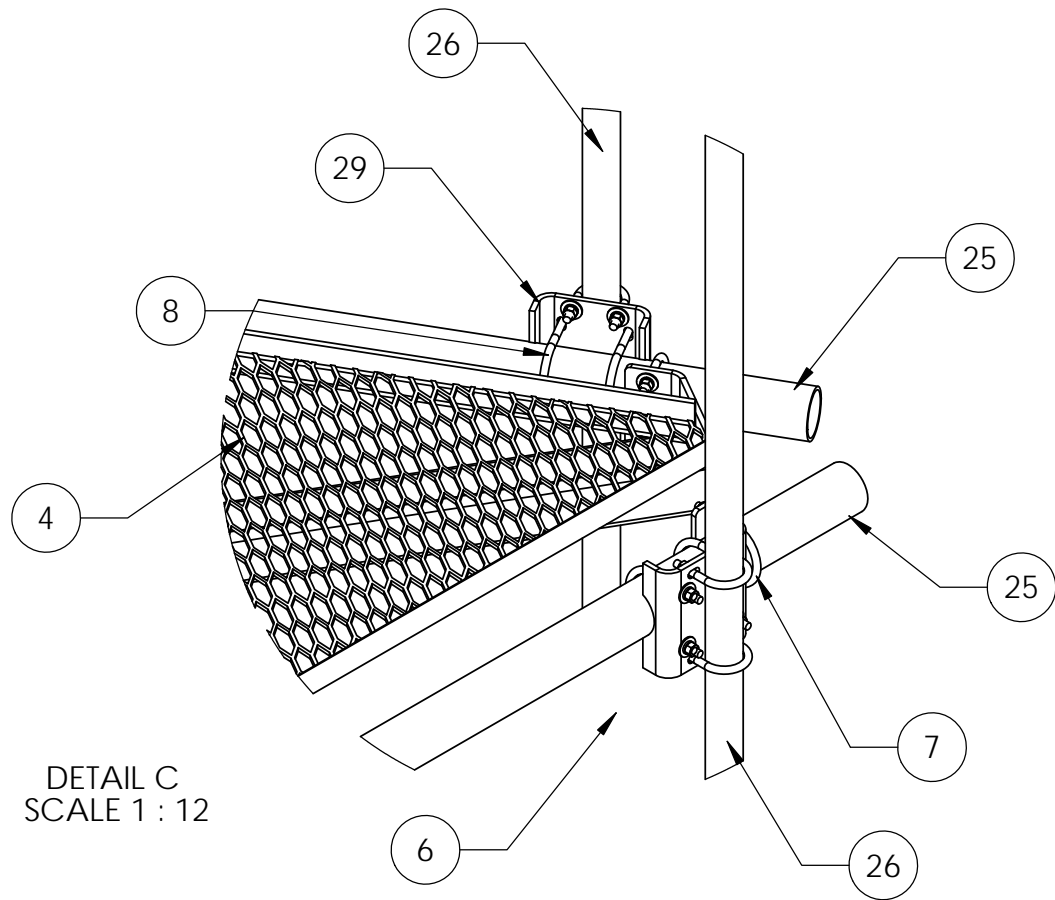
2475.35 LBS

PART NUMBER: MC-HP14L SERIES

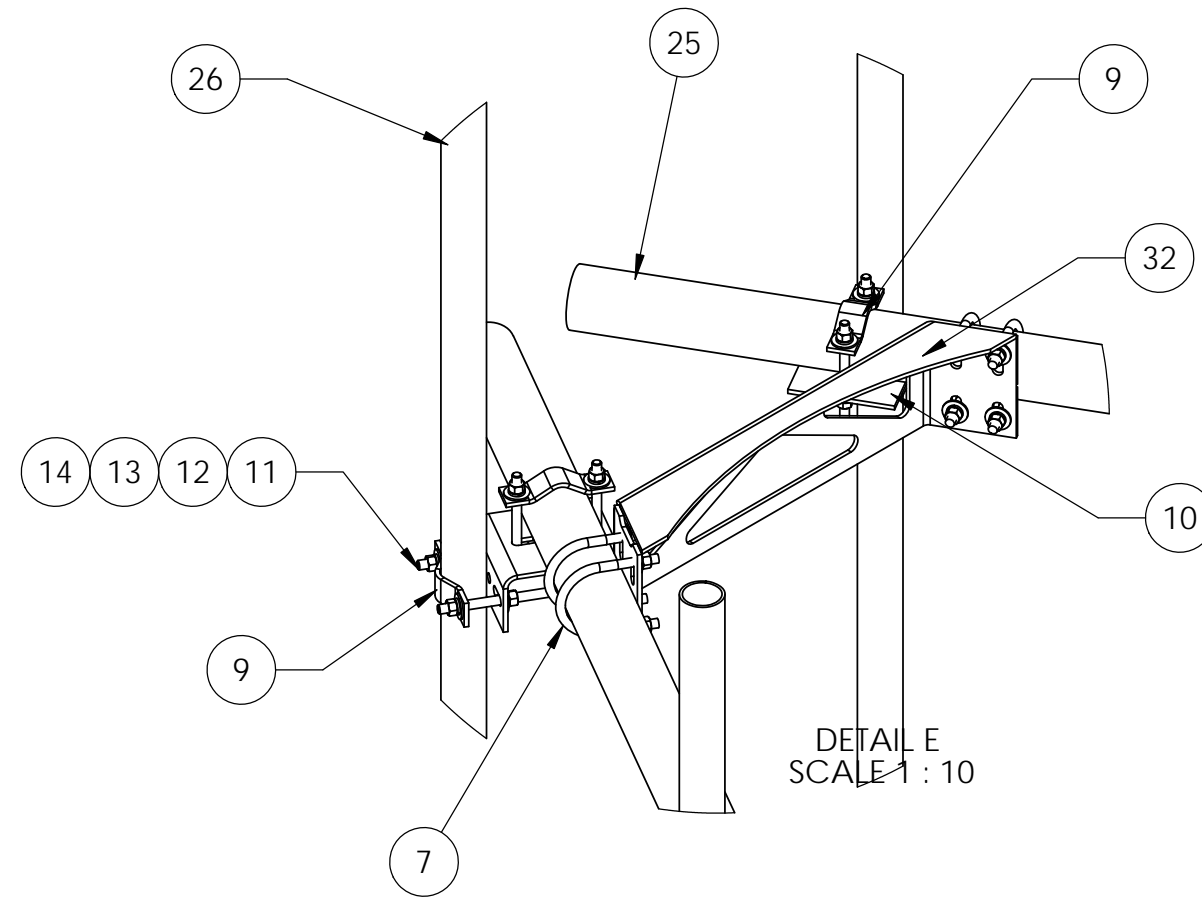
DESCRIPTION: LOAD ENHANCED CO-LO. PLATFORM, 14'-6" FACE, 30-60

DRAWING TYPE: ASSEMBLY DRAWING

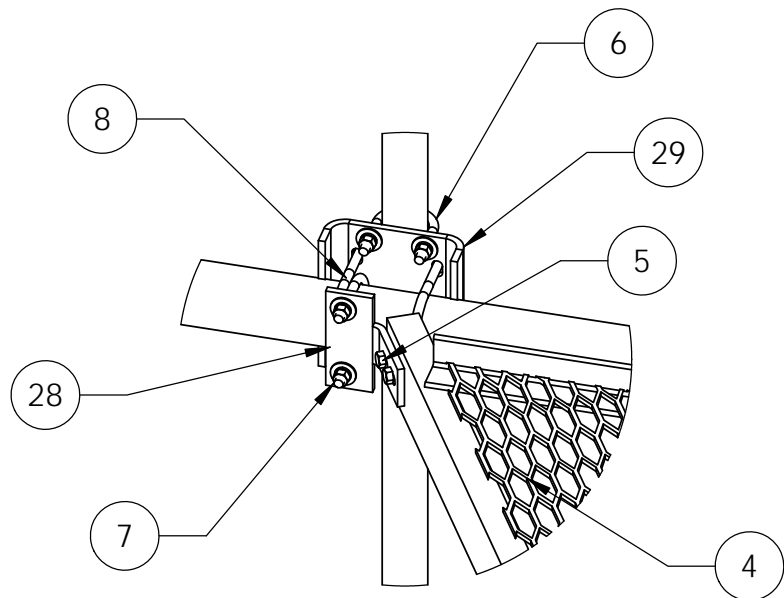
COMMSCOPE®
Hickory, NC 28602 U.S.A.



DETAIL C
SCALE 1 : 12



DETAIL E
SCALE 1 : 10



DETAIL D
SCALE 1 : 10

These drawings and specifications are the proprietary property of CommScope Inc. and may be used only for the specific purpose authorized in writing by CommScope Inc.

ALL DIMENSIONS ARE IN INCHES U.O.S.
TOLERANCES UNLESS OTHERWISE SPECIFIED:
.X = ± .12 ANGLES ±2°
.XX = ± .06 FRACTIONS ±1/32
.XXX = ± .03

REMOVE BURRS AND BREAK EDGES .005

DO NOT SCALE THIS PRINT

DRAWN BY: MSM	SHEET: 5 of 5
CHECKED BY: TP	SCALE: NTS
DATE: 02/09/15	MATERIAL: A36, A500, A529
REVISION: B	FINISH: Galv A123
	WEIGHT: 2475.35 LBS

PART NUMBER: MC-HP14L SERIES
DESCRIPTION: LOAD ENHANCED CO-LO. PLATFORM, 14'-6" FACE, 30-60
DRAWING TYPE: ASSEMBLY DRAWING
COMMSCOPE® Hickory, NC 28602 U.S.A.