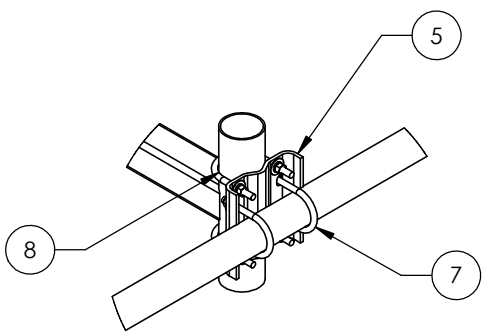
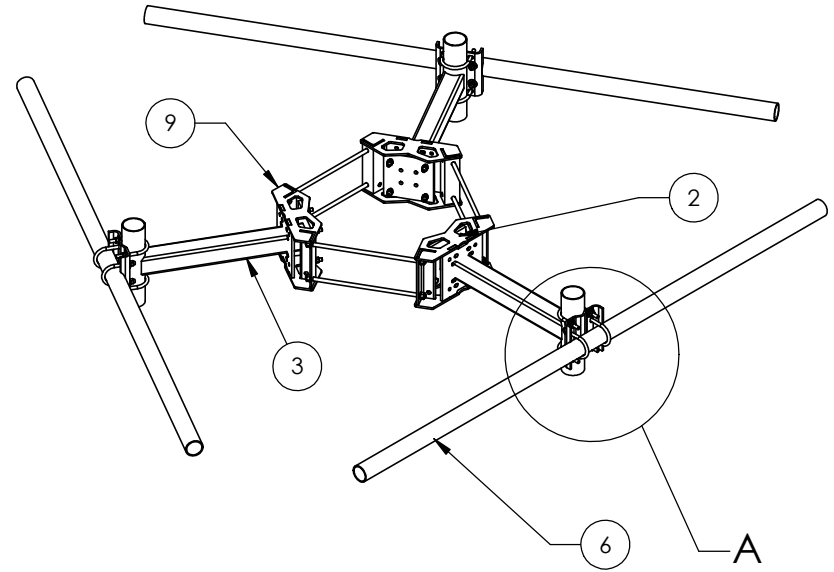


ITEM	PART NO.	DESCRIPTION	QTY	WEIGHT
1	MT197H	HARDWARE KIT (NEXT ITEM)	3	
2	GB-0524A	5/8" X 2-1/2" GALV. BOLT KIT (A325)	12	0.32 LBS
3	MT197.01	36" SINGLE SUPPORT ARM	3	62.84 LBS
4	MT216NSH	HARDWARE KIT (ITEMS 6-8)	3	
5	MT216.13	CENTER BRACKET	3	11.80 LBS
6	MT-547-126	Ø3.5" O.D. X 126 PIPE	3	81.21 LBS
7	GUB-53560	5/8" X 3-5/8" X 6" GALV U-BOLT	6	1.30 LBS
8	GUB-5456	5/8" X 4-5/8" X 6½" GALV U-BOLT	6	1.43 LBS
9	RM1030305	10-30 3-SECTOR RM WLDMNT	3	44.32 LBS
10	MT-384-24	3/4" X 24" GALV THREADED ROD	6	3.01 LBS
11	GWL-06	3/4" GALV LOCK WASHER	12	0.04 LBS
12	GN-06	3/4" GALV HEX NUT	12	0.12 LBS


REVISIONS				
REV.	ECN	DESCRIPTION	BY	DATE
A		INITIAL RELEASE	ACG	08/30/05
B		UPDATE MT216NSH	ACG	12/07/05
C		UPDATE RINGMOUNT AND WEIGHTS	MSM	01/21/13
D	8000007579	NEW RINGMOUNT WELDMENT DESIGN	RJC	04/16/15

PART LIST FOR USE WITH T-FRAME MC-K10S-B

T-FRAME #	PIPE #	DESCRIPTION	QTY	T-FRAME WEIGHT
MC-K10S-B	-	-	0	623.7 LBS
MC-K10S-6-72	MT-651	2-3/8" O.D. X 72" GALV PIPE	6	823.0 LBS
MC-K10S-6-96	MT-651-96	2-3/8" O.D. X 96" GALV PIPE	6	866.7 LBS
MC-K10S-9-72	MT-651	2-3/8" O.D. X 72" GALV PIPE	9	922.7 LBS
MC-K10S-9-96	MT-651-96	2-3/8" O.D. X 96" GALV PIPE	9	988.1 LBS
MC-K10S-12-72	MT-651	2-3/8" O.D. X 72" GALV PIPE	12	1022.4 LBS
MC-K10S-12-96	MT-651-96	2-3/8" O.D. X 96" GALV PIPE	12	1109.6 LBS



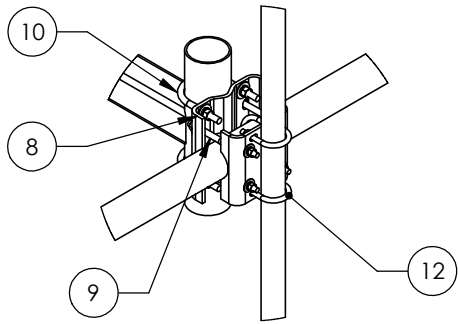
DETAIL A
SCALE 1 : 12

<small>These drawings and specifications are the proprietary property of ANDREW CORPORATION and may be used only for the specific purpose authorized in writing by Andrew Corporation.</small>		DRAWN BY: ACG CHECKED BY: TP DATE: 08/30/05 REVISION: D	SHEET: 1 of 4 SCALE: NTS MATERIAL: A36, A500, A53 FINISH: GALV A123 WEIGHT: SEE TABLE	PART NUMBER: MC-K10S-B SERIES DESCRIPTION: 10" - 30" MONOPOLE 10'6" T-FRAME DRAWING TYPE: ASSEMBLY DRAWING  ORLAND PARK, IL. 60462 U.S.A.
--	--	--	---	---

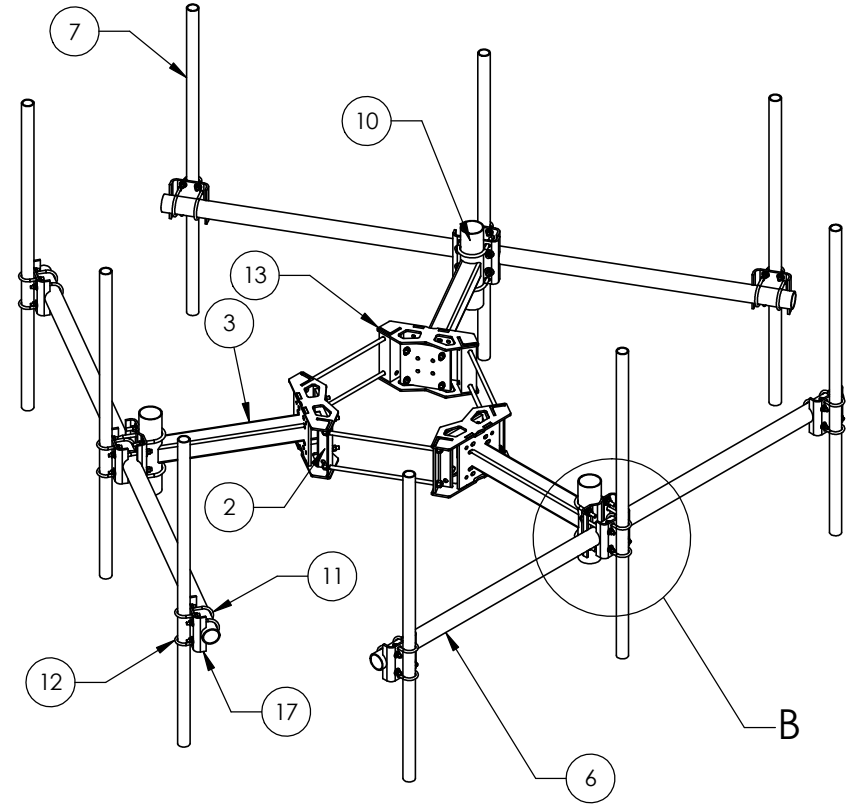
ITEM	PART NO.	DESCRIPTION	QTY.	WEIGHT
1	MT197H	HARDWARE KIT (NEXT ITEM)	3	
2	GB-0524A	5/8" X 2-1/2" GALV. BOLT KIT (A325)	12	0.32 LBS
3	MT197.01	36" SINGLE SUPPORT ARM	3	62.84 LBS
4	MT216NSH	HARDWARE KIT (ITEMS 6-8)	3	
5	MT-219-H	HARDWARE KIT (Next 3 Items)	9	
6	MT-547-126	Ø3.5" O.D. X 126 PIPE	3	81.21 LBS
7	MT-XXXX	2-3/8" O.D. PIPE (SEE TABLE)	9	-
8	MT216.13	CENTER BRACKET	3	11.80 LBS
9	GUB-53560	5/8" X 3-5/8" X 6" GALV U-BOLT	6	1.30 LBS
10	GUB-5456	5/8" X 4-5/8" X 6½" GALV U-BOLT	6	1.43 LBS
11	GUB-4356	1/2" X 3-5/8" X 6" GALV U-BOLT	18	0.82 LBS
12	GUB-4240	1/2" X 2-1/2" X 4" GALV U-BOLT	18	0.56 LBS
13	RM1030305	10-30 3-SECTOR RM WLDMNT	3	44.32 LBS
14	MT-384-24	3/4" X 24" GALV THREADED ROD	6	3.01 LBS
15	GWL-06	3/4" GALV LOCK WASHER	12	0.04 LBS
16	GN-06	3/4" GALV HEX NUT	12	0.12 LBS
17	MT21701	PIPE MOUNT PLATE	9	7.93 LBS


PART LIST FOR USE WITH T-FRAME MC-K10S-9 SERIES

T-FRAME #	PIPE #	DESCRIPTION	QTY	T-FRAME WEIGHT
MC-K10S-B	-	-	0	623.7 LBS
MC-K10S-6-72	MT-651	2-3/8" O.D. X 72" GALV PIPE	6	823.0 LBS
MC-K10S-6-96	MT-651-96	2-3/8" O.D. X 96" GALV PIPE	6	866.7 LBS
MC-K10S-9-72	MT-651	2-3/8" O.D. X 72" GALV PIPE	9	922.7 LBS
MC-K10S-9-96	MT-651-96	2-3/8" O.D. X 96" GALV PIPE	9	988.1 LBS
MC-K10S-12-72	MT-651	2-3/8" O.D. X 72" GALV PIPE	12	1022.4 LBS
MC-K10S-12-96	MT-651-96	2-3/8" O.D. X 96" GALV PIPE	12	1109.6 LBS



DETAIL B
SCALE 1 : 12

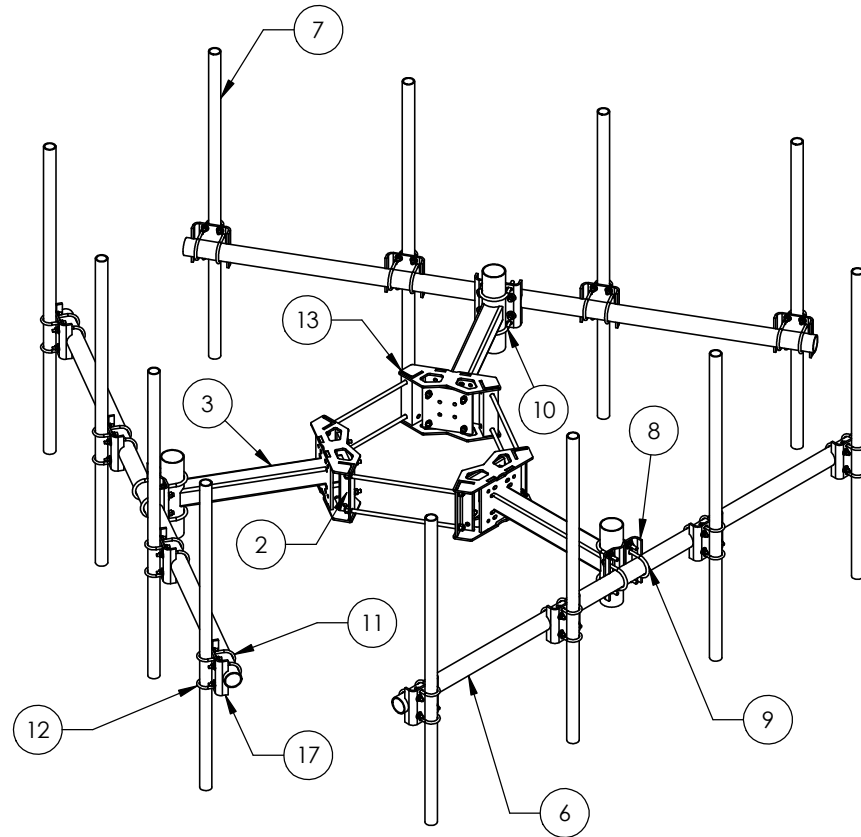



<small>These drawings and specifications are the proprietary property of ANDREW CORPORATION and may be used only for the specific purpose authorized in writing by Andrew Corporation.</small>		DRAWN BY: ACG CHECKED BY: TP DATE: 08/30/05 REVISION: D	SHEET: 3 of 4 SCALE: NTS MATERIAL: A36, A500, A53 FINISH: GALV A123 WEIGHT: SEE TABLE	PART NUMBER: MC-K10S-9 SERIES DESCRIPTION: 10" - 30" MONOPOLE 10'6" T-FRAME DRAWING TYPE: ASSEMBLY DRAWING  ORLAND PARK, IL. 60462 U.S.A.
--	--	--	---	---

ITEM	PART NO.	DESCRIPTION	QTY.	WEIGHT
1	MT197H	HARDWARE KIT (NEXT ITEM)	3	
2	GB-0524A	5/8" X 2-1/2" GALV. BOLT KIT (A325)	12	0.32 LBS
3	MT197.01	36" SINGLE SUPPORT ARM	3	62.84 LBS
4	MT216NSH	HARDWARE KIT (ITEMS 6-8)	3	
5	MT-219-H	HARDWARE KIT (Next 3 Items)	12	
6	MT-547-126	Ø3.5" O.D. X 126 PIPE	3	81.21 LBS
7	MT-XXXX	2-3/8" O.D. PIPE (SEE TABLE)	12	-
8	MT216.13	CENTER BRACKET	3	11.80 LBS
9	GUB-53560	5/8" X 3-5/8" X 6" GALV U-BOLT	6	1.30 LBS
10	GUB-5456	5/8" X 4-5/8" X 6½" GALV U-BOLT	6	1.43 LBS
11	GUB-4356	1/2" X 3-5/8" X 6" GALV U-BOLT	24	0.82 LBS
12	GUB-4240	1/2" X 2-1/2" X 4" GALV U-BOLT	24	0.56 LBS
13	RM1030305	10-30 3-SECTOR RM WLDMNT	3	44.32 LBS
14	MT-384-24	3/4" X 24" GALV THREADED ROD	6	3.01 LBS
15	GWL-06	3/4" GALV LOCK WASHER	12	0.04 LBS
16	GN-06	3/4" GALV HEX NUT	12	0.12 LBS
17	MT21701	PIPE MOUNT PLATE	12	7.93 LBS

PART LIST FOR USE WITH T-FRAME MC-K10S-12 SERIES

T-FRAME #	PIPE #	DESCRIPTION	QTY	T-FRAME WEIGHT
MC-K10S-B	-	-	0	623.7 LBS
MC-K10S-6-72	MT-651	2-3/8" O.D. X 72" GALV PIPE	6	823.0 LBS
MC-K10S-6-96	MT-651-96	2-3/8" O.D. X 96" GALV PIPE	6	866.7 LBS
MC-K10S-9-72	MT-651	2-3/8" O.D. X 72" GALV PIPE	9	922.7 LBS
MC-K10S-9-96	MT-651-96	2-3/8" O.D. X 96" GALV PIPE	9	988.1 LBS
MC-K10S-12-72	MT-651	2-3/8" O.D. X 72" GALV PIPE	12	1022.4 LBS
MC-K10S-12-96	MT-651-96	2-3/8" O.D. X 96" GALV PIPE	12	1109.6 LBS



<small>These drawings and specifications are the proprietary property of ANDREW CORPORATION and may be used only for the specific purpose authorized in writing by Andrew Corporation.</small> ALL DIMENSIONS ARE IN INCHES U.O.S. TOLERANCES UNLESS OTHERWISE SPECIFIED: .X = .06 ANGLES FRACTIONS 2' .XX = .03 FRACTIONS 1/32 .XXX = .010 REMOVE BURRS AND BREAK EDGES .005 DO NOT SCALE THIS PRINT	DRAWN BY: ACG CHECKED BY: TP DATE: 08/30/05 REVISION: D	SHEET: 4 of 4 SCALE: NTS MATERIAL: A36, A500, A53 PART NUMBER: MC-K10S-12 SERIES DESCRIPTION: 10" - 30" MONOPOLE 10'6" T-FRAME DRAWING TYPE: ASSEMBLY DRAWING PART: GALV A123 SEE TABLE	 ORLAND PARK, IL. 60462 U.S.A.
--	--	--	--