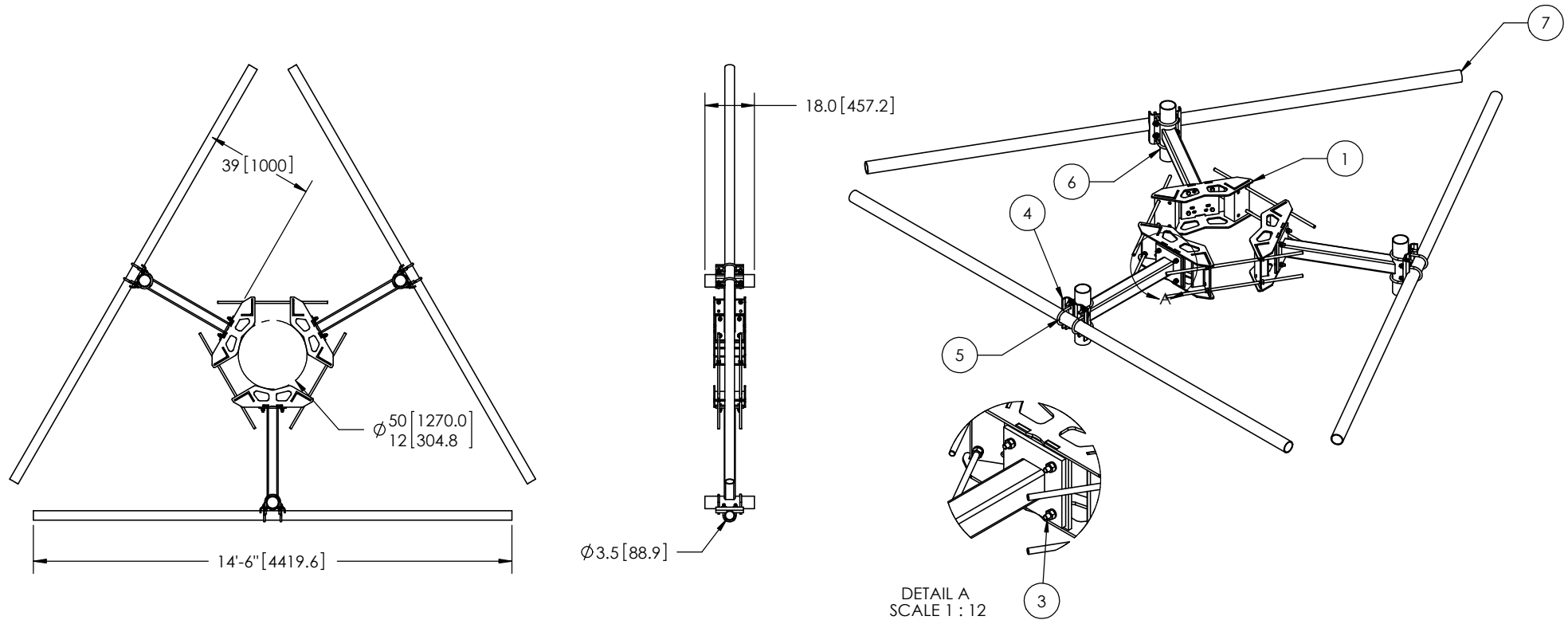



ITEM	PART NO.	DESCRIPTION	QTY.	WEIGHT
1	MC-RM1550-3	12" - 50" OD RINGMOUNT	1	230.42 LBS
2	MT197H	HARDWARE KIT (NEXT ITEM)	3	
3	GB-0524A	5/8" X 2-1/2" GALV BOLT KIT (A325)	12	0.31 LBS
4	MT216.13	CENTER BRACKET	3	11.80 LBS
5	GUB-53560	5/8" X 3-5/8" X 6" GALV U-BOLT	6	1.30 LBS
6	GUB-5456	5/8" X 4-5/8" X 6 1/2" GALV U-BOLT	6	1.43 LBS
7	MT-547-174	3.5" O.D. X 174" PIPE	3	109.27 LBS
8	MT197.01	36" SINGLE SUPPORT ARM	3	62.84 LBS

REVISIONS				
REV.	ECN	DESCRIPTION	BY	DATE
A		INITIAL RELEASE	MSM	02/08/10
B		UPDATE RINGMOUNT AND WEIGHTS	MSM	01/18/13
C	8000007579	NEW RINGMOUNT WELDMENT DESIGN	RJC	04/16/15



NOTES:

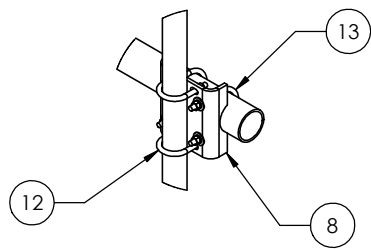
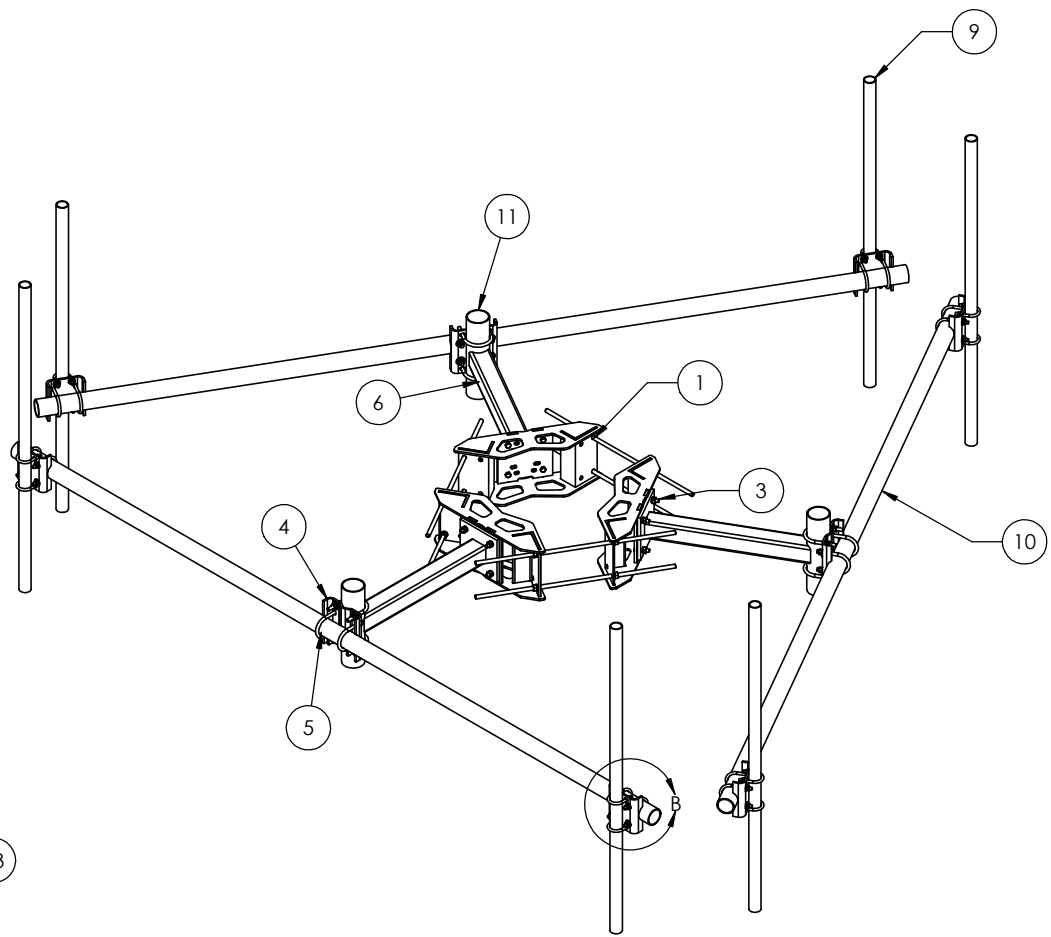
1. ALL METRIC DIMENSIONS ARE IN BRACKETS.
2. FITS MONOPOLES 12"-50" OD.

These drawings and specifications are the proprietary property of ANDREW CORPORATION and may be used only for the specific purpose authorized in writing by Andrew Corporation.		DRAWN BY: MSM	SHEET: 1 of 4	PART NUMBER: MC-K14M-B SERIES
ALL DIMENSIONS ARE IN INCHES U.O.S. TOLERANCES UNLESS OTHERWISE SPECIFIED: .X = ± .12 ANGLES ±2° .XX = ± .06 FRACTIONS ±1/32 .XXX = ± .03 REMOVE BURRS AND BREAK EDGES .005		CHECKED BY: TP	SCALE: NTS	DESCRIPTION: Monopole Co-Location T-Frame Base Kit
DO NOT SCALE THIS PRINT		DATE: 02/08/10	MATERIAL: A36, A53	DRAWING TYPE: ASSEMBLY DRAWING
		REVISION: C	PART: GALV A123	 WESTCHESTER, IL. 60154 U.S.A.
			REF: SEE TABLE	

ITEM	PART NO.	DESCRIPTION	QTY.	WEIGHT
1	MC-RM1550-3	12" - 50" OD RINGMOUNT	1	230.42 LBS
2	MT197H	HARDWARE KIT (NEXT ITEM)	3	
3	GB-0524A	5/8" X 2-1/2" GALV BOLT KIT (A325)	12	0.31 LBS
4	MT216.13	CENTER BRACKET	3	11.80 LBS
5	GUB-53560	5/8" X 3-5/8" X 6" GALV U-BOLT	6	1.30 LBS
6	GUB-5456	5/8" X 4-5/8" X 6 1/2" GALV U-BOLT	6	1.43 LBS
7	MT-219-H	HARDWARE KIT (Next 3 Items)	6	
8	MT21701	PIPE MOUNT PLATE	6	7.93 LBS
9	MT-651	2.375" OD x 72" PIPE	6	-
10	MT-547-174	3.5" O.D. X 174" PIPE	3	109.27 LBS
11	MT197.01	36" SINGLE SUPPORT ARM	3	62.84 LBS
12	GUB-4240	1/2" X 2-1/2" X 4" GALV U-BOLT	12	0.56 LBS
13	GUB-4356	1/2" X 3-5/8" X 6" GALV U-BOLT	12	0.82 LBS

PARTS LIST FOR USE WITH MC-K14M-B


T-FRAME #	PIPE	DESCRIPTION	QTY	WEIGHT
MC-K14M-B	-	BASE KIT	0	790.05 LBS
MC-K14M-6-72	MT-651	2-3/8"OD X 72" GALV PIPE	6	989.37 LBS
MC-K14M-6-96	MT-651-96	2-3/8"OD X 96" GALV PIPE	6	1032.97 LBS
MC-K14M-9-72	MT-651	2-3/8"OD X 72" GALV PIPE	9	1089.03 LBS
MC-K14M-9-96	MT-651-96	2-3/8"OD X 96" GALV PIPE	9	1154.43 LBS
MC-K14M-12-72	MT-651	2-3/8"OD X 72" GALV PIPE	12	1188.69 LBS
MC-K14M-12-96	MT-651-96	2-3/8"OD X 96" GALV PIPE	12	1275.89 LBS



DETAIL B
SCALE 1 : 12

NOTES:

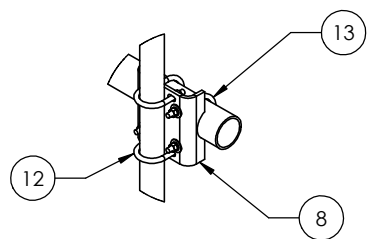
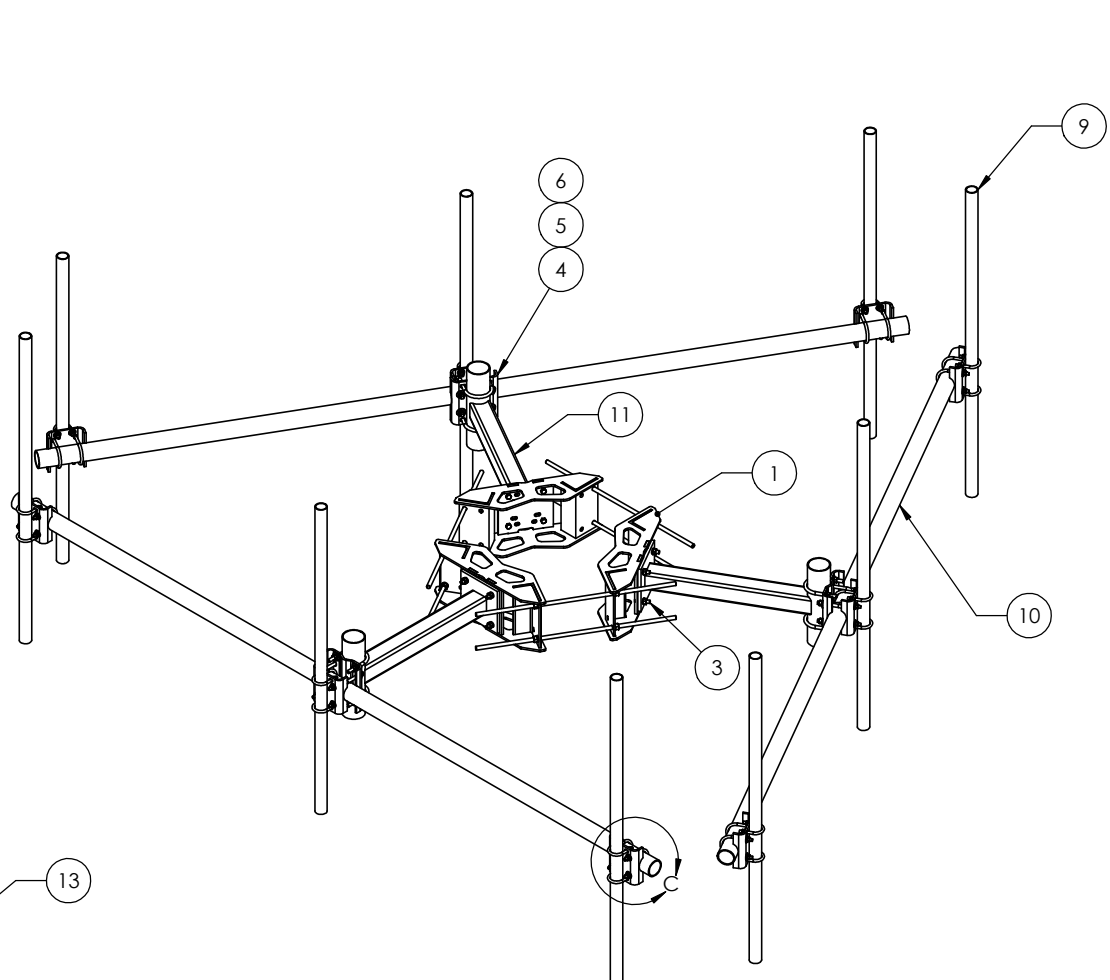
1. ALL METRIC DIMENSIONS ARE IN BRACKETS.

These drawings and specifications are the proprietary property of ANDREW CORPORATION and may be used only for the specific purpose authorized in writing by Andrew Corporation.		DRAWN BY: MSM	SHEET: 2 of 4	PART NUMBER: MC-K14M-B SERIES
ALL DIMENSIONS ARE IN INCHES U.S.S. TOLERANCES UNLESS OTHERWISE SPECIFIED: .X = ± .12 ANGLES ±2° .XX = ± .06 FRACTIONS ±1/32 .XXX = ± .03 REMOVE BURRS AND BREAK EDGES .005		CHECKED BY: TP	SCALE: NTS	DESCRIPTION: Monopole Co-Location T-Frame, Six 2-3/8" x 72" Pipe Mounts
DO NOT SCALE THIS PRINT		DATE: 02/08/10	MATERIAL: A36, A53	DRAWING TYPE: ASSEMBLY DRAWING
		REVISION: C	FINISH: GALV A123	 WESTCHESTER, IL. 60154 U.S.A.
			REFER: SEE TABLE	

ITEM	PART NO.	DESCRIPTION	QTY.	WEIGHT
1	MC-RM1550-3	12" - 50" OD RINGMOUNT	1	230.42 LBS
2	MT197H	HARDWARE KIT (NEXT ITEM)	3	
3	GB-0524A	5/8" X 2-1/2" GALV BOLT KIT (A325)	12	0.31 LBS
4	MT216.13	CENTER BRACKET	3	11.80 LBS
5	GUB-53560	5/8" X 3-5/8" X 6" GALV U-BOLT	6	1.30 LBS
6	GUB-5456	5/8" X 4-5/8" X 6 1/2" GALV U-BOLT	6	1.43 LBS
7	MT-219-H	HARDWARE KIT (Next 3 Items)	9	
8	MT21701	PIPE MOUNT PLATE	9	7.93 LBS
9	MT-651	2.375" OD x 72" PIPE	9	-
10	MT-547-174	3.5" O.D. X 174" PIPE	3	109.27 LBS
11	MT197.01	36" SINGLE SUPPORT ARM	3	62.84 LBS
12	GUB-4240	1/2" X 2-1/2" X 4" GALV U-BOLT	18	0.56 LBS
13	GUB-4356	1/2" X 3-5/8" X 6" GALV U-BOLT	18	0.82 LBS

PARTS LIST FOR USE WITH MC-K14M-B


T-FRAME #	PIPE	DESCRIPTION	QTY	WEIGHT
MC-K14M-B	-	BASE KIT	0	790.05 LBS
MC-K14M-6-72	MT-651	2-3/8" OD X 72" GALV PIPE	6	989.37 LBS
MC-K14M-6-96	MT-651-96	2-3/8" OD X 96" GALV PIPE	6	1032.97 LBS
MC-K14M-9-72	MT-651	2-3/8" OD X 72" GALV PIPE	9	1089.03 LBS
MC-K14M-9-96	MT-651-96	2-3/8" OD X 96" GALV PIPE	9	1154.43 LBS
MC-K14M-12-72	MT-651	2-3/8" OD X 72" GALV PIPE	12	1188.69 LBS
MC-K14M-12-96	MT-651-96	2-3/8" OD X 96" GALV PIPE	12	1275.89 LBS



DETAIL C
SCALE 1 : 12

NOTES:

1. ALL METRIC DIMENSIONS ARE IN BRACKETS.

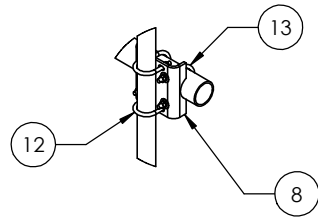
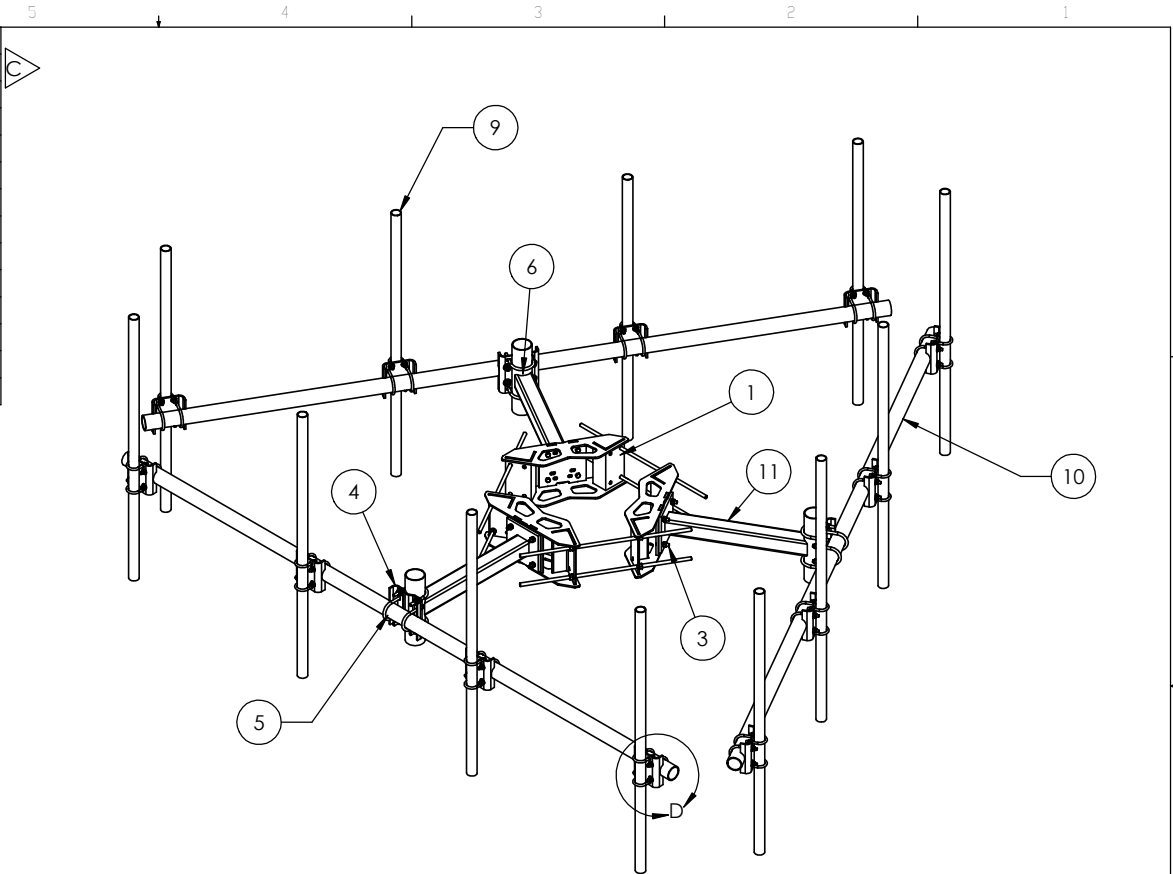
<small>These drawings and specifications are the proprietary property of ANDREW CORPORATION and may be used only for the specific purposes authorized in writing by Andrew Corporation.</small>		DRAWN BY: MSM CHECKED BY: TP DATE: 02/08/10 REVISION: C	SHEET: 3 of 4 SCALE: NTS MATERIAL: A36, A53 FINISH: GALV A123 WEIGHT: SEE TABLE	PART NUMBER: MC-K14M-B SERIES DESCRIPTION: Monopole Co-Location T-Frame, Nine 2-3/8" x 72" Pipe Mounts DRAWING TYPE: ASSEMBLY DRAWING  WESTCHESTER, IL. 60154 U.S.A.
---	--	--	---	--

DO NOT SCALE THIS PRINT

ITEM	PART NO.	DESCRIPTION	QTY.	WEIGHT
1	MC-RM1550-3	12" - 50" OD RINGMOUNT	1	230.42 LBS
2	MT197H	HARDWARE KIT (NEXT ITEM)	3	
3	GB-0524A	5/8" X 2-1/2" GALV BOLT KIT (A325)	12	0.31 LBS
4	MT216.13	CENTER BRACKET	3	11.80 LBS
5	GUB-53560	5/8" X 3-5/8" X 6" GALV U-BOLT	6	1.30 LBS
6	GUB-5456	5/8" X 4-5/8" X 6 1/2" GALV U-BOLT	6	1.43 LBS
7	MT-219-H	HARDWARE KIT (Next 3 Items)	12	
8	MT21701	PIPE MOUNT PLATE	12	7.93 LBS
9	MT-651	2.375" OD x 72" PIPE	12	-
10	MT-547-174	3.5" O.D. X 174" PIPE	3	109.27 LBS
11	MT197.01	36" SINGLE SUPPORT ARM	3	62.84 LBS
12	GUB-4240	1/2" X 2-1/2" X 4" GALV U-BOLT	24	0.56 LBS
13	GUB-4356	1/2" X 3-5/8" X 6" GALV U-BOLT	24	0.82 LBS


PARTS LIST FOR USE WITH MC-K14M-B

T-FRAME	PIPE	DESCRIPTION	QTY	WEIGHT
MC-K14M-B	-	BASE KIT	0	790.05 LBS
MC-K14M-6-72	MT-651	2-3/8" OD X 72" GALV PIPE	6	989.37 LBS
MC-K14M-6-96	MT-651-96	2-3/8" OD X 96" GALV PIPE	6	1032.97 LBS
MC-K14M-9-72	MT-651	2-3/8" OD X 72" GALV PIPE	9	1089.03 LBS
MC-K14M-9-96	MT-651-96	2-3/8" OD X 96" GALV PIPE	9	1154.43 LBS
MC-K14M-12-72	MT-651	2-3/8" OD X 72" GALV PIPE	12	1188.69 LBS
MC-K14M-12-96	MT-651-96	2-3/8" OD X 96" GALV PIPE	12	1275.89 LBS



DETAIL D
SCALE 1 : 16

NOTES:
1. ALL METRIC DIMENSIONS ARE IN BRACKETS.

<small>These drawings and specifications are the proprietary property of ANDREW CORPORATION and may be used only for the specific purpose authorized in writing by Andrew Corporation.</small>		DRAWN BY: MSM CHECKED BY: TP DATE: 02/08/10 REVISION: C	SHEET: 4 of 4 SCALE: NTS MATERIAL: A36, A53 FINISH: GALV A123 WEIGHT: SEE TABLE	PART NUMBER: MC-K14M-B SERIES DESCRIPTION: Monopole Co-Location T-Frame, Twelve 2-3/8" x 72" Pipe Mounts DRAWING TYPE: ASSEMBLY DRAWING  WESTCHESTER, IL. 60154 U.S.A.
--	--	--	---	--

DO NOT SCALE THIS PRINT