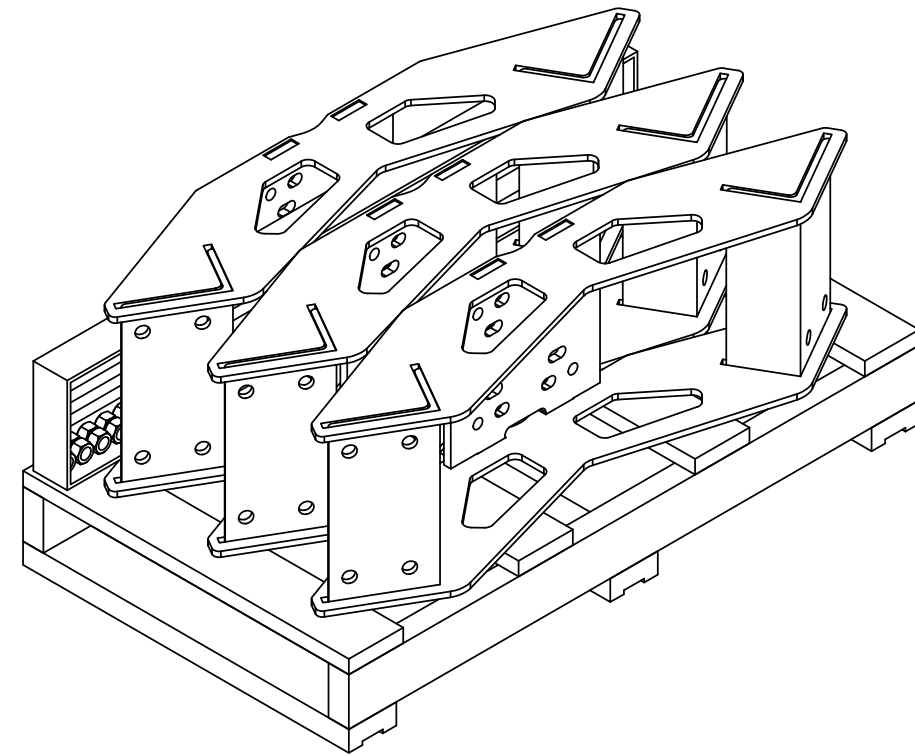


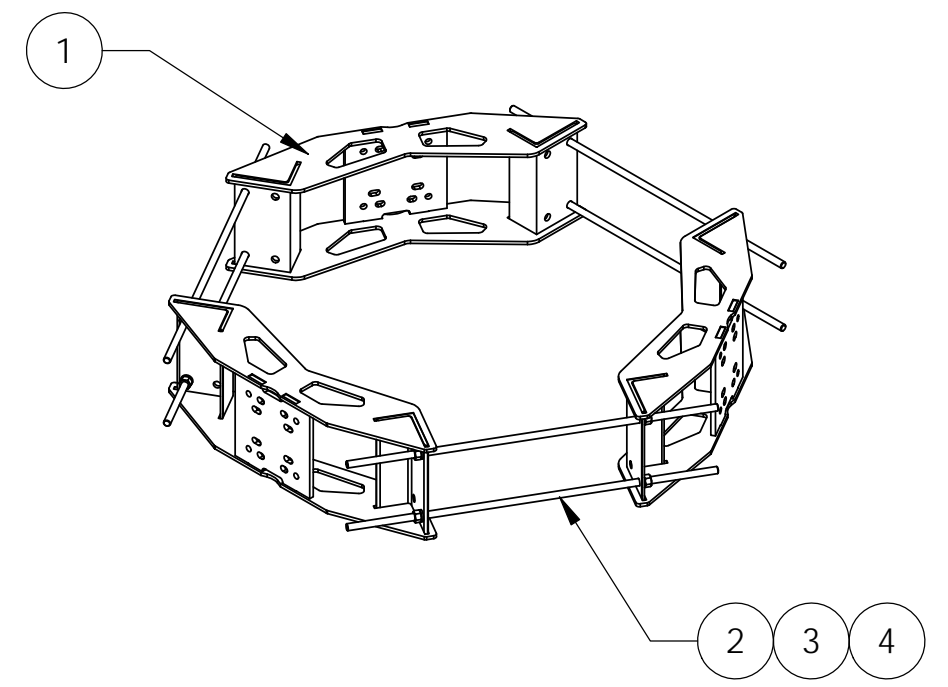
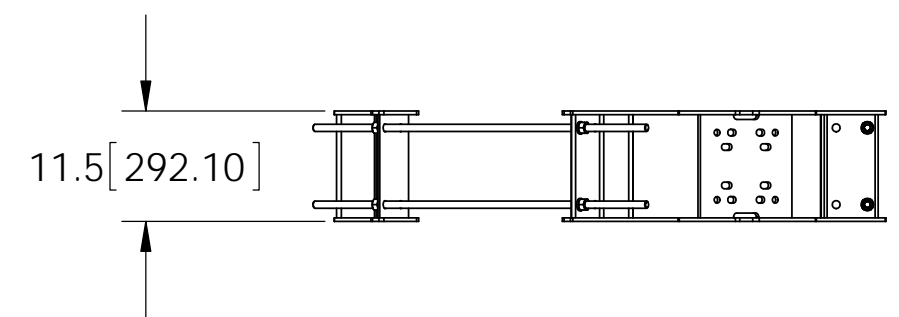
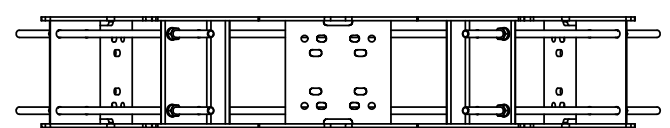
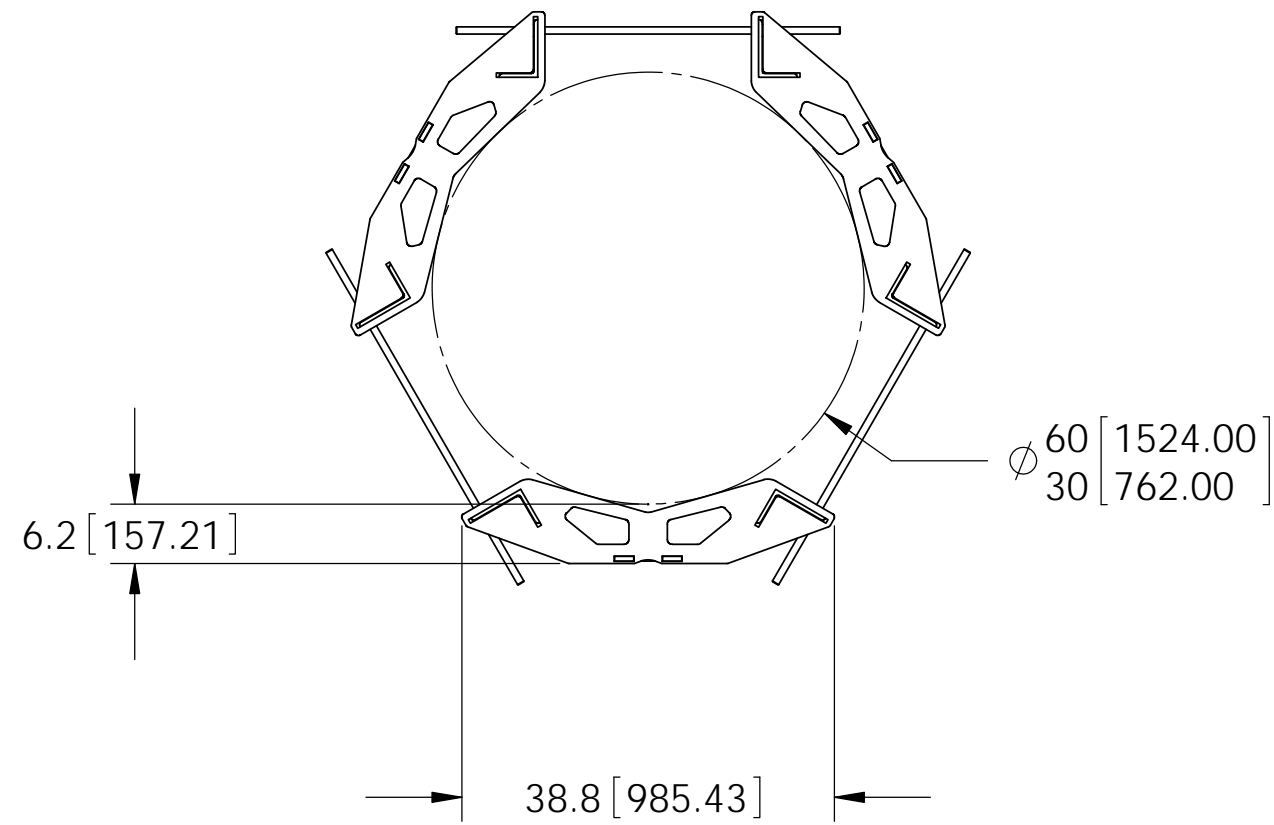
ITEM	PART NO.	DESCRIPTION	QTY.	WEIGHT	NOTE NO.
1	RMLPALLET	PALLET FOR LARGE RINGMOUNTS	1	14.45 LBS	
2	RM3060305	30-60 3 SECTOR RM WLDMNT	3	76.98 LBS	
3	RML3H	30" - 60" RING MOUNT HARDWARE KIT	1	33.39 LBS	

REVISIONS				
REV.	ECN	DESCRIPTION	BY	DATE
F		REDESIGN	AW	11/10/04
G		REDESIGNED RING MOUNTS	DRR	09/01/10
H		UPDATE BOM	MSM	02/18/11
J	8000007427	NEW RINGMOUNT WELDMENT DESIGN	MSM	03/19/15



<p>These drawings and specifications are the proprietary property of CommScope Inc. and may be used only for the specific purpose authorized in writing by CommScope Inc.</p> <p>ALL DIMENSIONS ARE IN INCHES U.O.S. TOLERANCES UNLESS OTHERWISE SPECIFIED: .X = ± .12      ANGLES      ±2° .XX = ± .06      FRACTIONS      ±1/32 .XXX = ± .03</p> <p>REMOVE BURRS AND BREAK EDGES .005</p> <p>DO NOT SCALE THIS PRINT</p>	DRAWN BY: AW	SHEET: 1 of 2	PART NUMBER: MC-RM3060-3
	CHECKED BY: TP	SCALE: NTS	DESCRIPTION: UNIVERSAL RING MOUNT, 30"-60" OD
	DATE: 11/10/04	MATERIAL: A36, A529	DRAWING TYPE: ASSEMBLY DRAWING
	REVISION: J	FINISH: A36 WEIGHT: 278.14 LBS	 Hickory, NC 28602      U.S.A.

ITEM	PART NO.	DESCRIPTION	QTY.	WEIGHT	NOTE NO.
1	RM3060305	30-60 3 SECTOR RM WLDMNT	3	76.98 LBS	
2	MT38440	3/4" X 40" GALV THREADED ROD GRADE B7	6	4.98 LBS	
3	GWL-06	3/4" GALV LOCK WASHER	12	0.04 LBS	
4	GN-06	3/4" GALV HEX NUT	12	0.12 LBS	



<p>These drawings and specifications are the proprietary property of CommScope Inc. and may be used only for the specific purpose authorized in writing by CommScope Inc.</p> <p>ALL DIMENSIONS ARE IN INCHES U.O.S. TOLERANCES UNLESS OTHERWISE SPECIFIED: .X = ± .12      ANGLES ±2° .XX = ± .06      FRACTIONS ±1/32 .XXX = ± .03</p> <p>REMOVE BURRS AND BREAK EDGES .005</p> <p>DO NOT SCALE THIS PRINT</p>	DRAWN BY: AW	SHEET: 2 of 2	PART NUMBER: MC-RM3060-3
	CHECKED BY: TP	SCALE: NTS	DESCRIPTION: Monopole Ringmount 30"-60"
	DATE: 11/10/04	MATERIAL: A36, A529	DRAWING TYPE: ASSEMBLY DRAWING
	REVISION: J	FINISH: A36	<p>Hickory, NC 28602 U.S.A.</p>
	WEIGHT: 262.12 LBS		