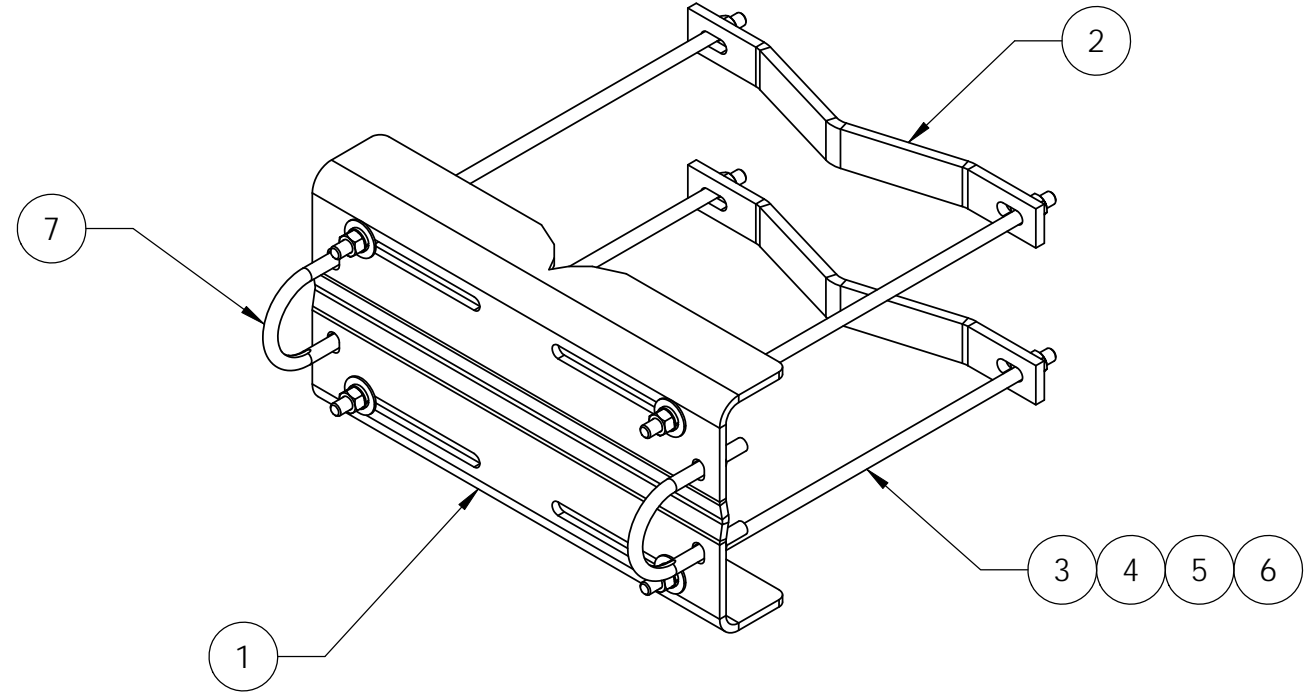
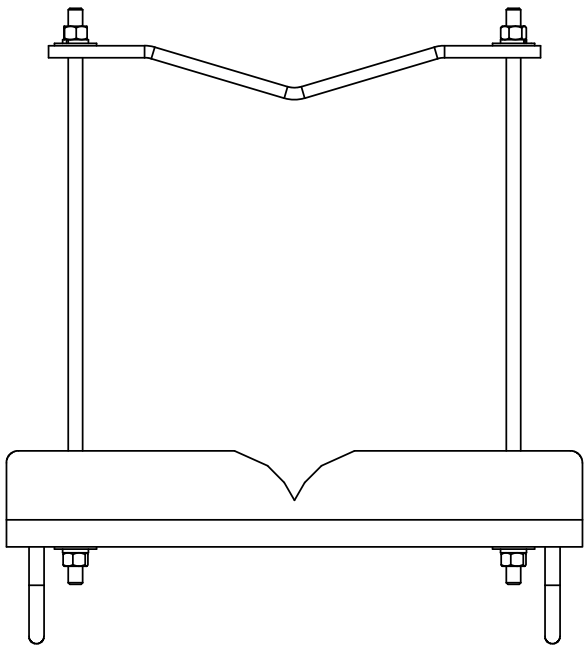
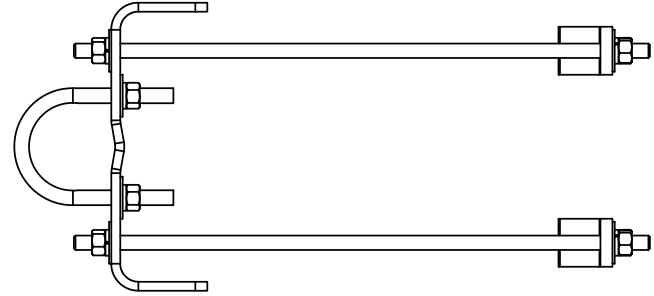
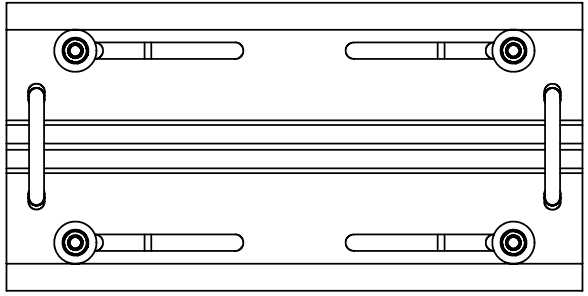


ITEM	PART NO.	DESCRIPTION	QTY.	WEIGHT
1	MDLSS01	Microwave Dish Strut Support Channel	1	43.71 LBS
2	MDLCS02	MDLCS Half Clamp 6" - 12" 90deg	2	5.71 LBS
3	MT-382-24	5/8" X 24" THREADED ROD	4	1.93 LBS
4	GWF-05	5/8" GALV FLAT WASHER	8	0.03 LBS
5	GWL-05	5/8" GALV LOCK WASHER	8	0.00 LBS
6	GN-05	5/8" GALV HEX NUT	8	0.04 LBS
7	GUB-53560	5/8" X 3-5/8" X 6" GALV U-BOLT	2	1.30 LBS


REVISIONS				
REV.	ZONE	DESCRIPTION	BY	DATE
A		INITIAL RELEASE	MSM	01/09/13



**SHOWN AS ANGLE LEG SET-UP**



- NOTES:
- ALL METRIC DIMENSIONS ARE IN BRACKETS.
  - FITS TOWER LEGS 8"-16" ROUND, OR 8"-16" 60° ANGLE, OR 6"-12" 90° ANGLE.
  - FOR ROUND LEGS FLIP ITEM 2 FROM AS SHOWN.

These drawings and specifications are the proprietary property of CommScope Inc. and may be used only for the specific purpose authorized in writing by CommScope Inc.  ALL DIMENSIONS ARE IN INCHES U.O.S. TOLERANCES UNLESS OTHERWISE SPECIFIED: .X = ± .12      ANGLES ±2° .XX = ± .06      FRACTIONS ±1/32 .XXX = ± .03  REMOVE BURRS AND BREAK EDGES .005 DO NOT SCALE THIS PRINT	DRAWN BY: MSM CHECKED BY: TP DATE: 01/09/13 REVISION: A	SHEET: 1 of 1 SCALE: NTS MATERIAL: A36 FINISH: GALV A123 WEIGHT: 67.40 LBS	PART NUMBER: MDL-SS-B DESCRIPTION: Large Leg Strut Support Base DRAWING TYPE: ASSEMBLY DRAWING  Hickory, NC 28602 U.S.A.
-------------------------------------------------------------------------------------------------------------------------------------------------------------------------------------------------------------------------------------------------------------------------------------------------------------------------------------------------------------------------------------------------------------------	------------------------------------------------------------------	----------------------------------------------------------------------------------------	---------------------------------------------------------------------------------------------------------------------------------------------------------------------------------------------------------------------------