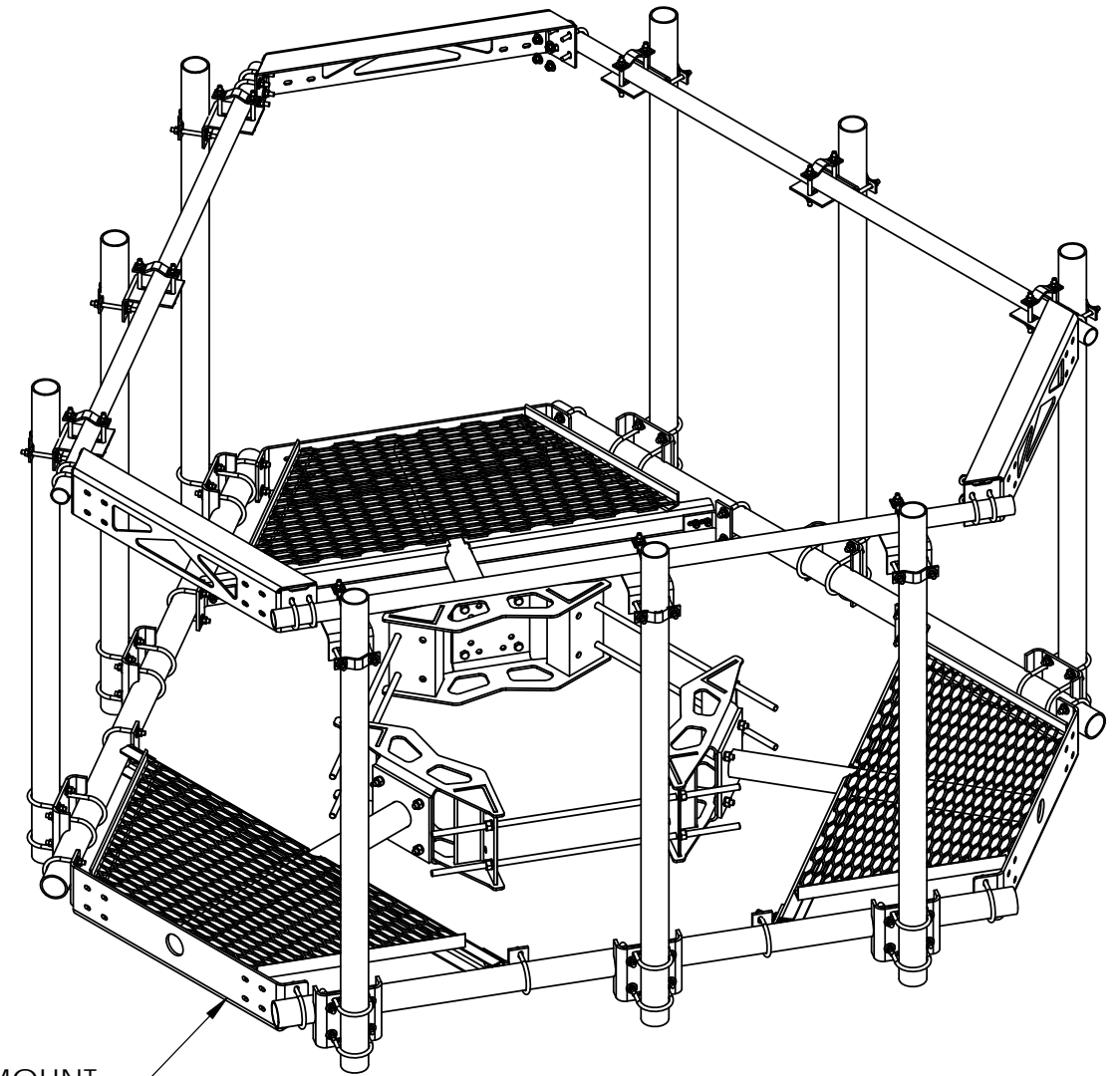
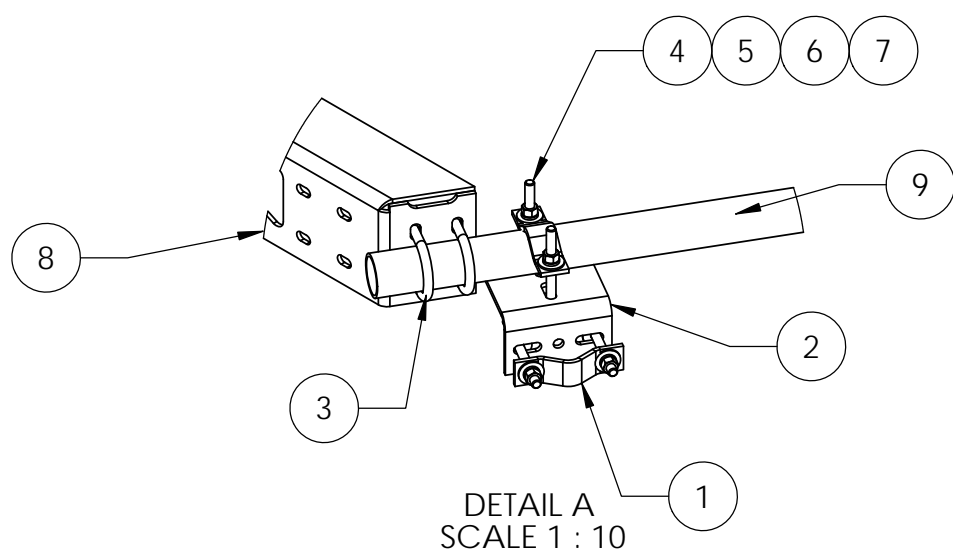
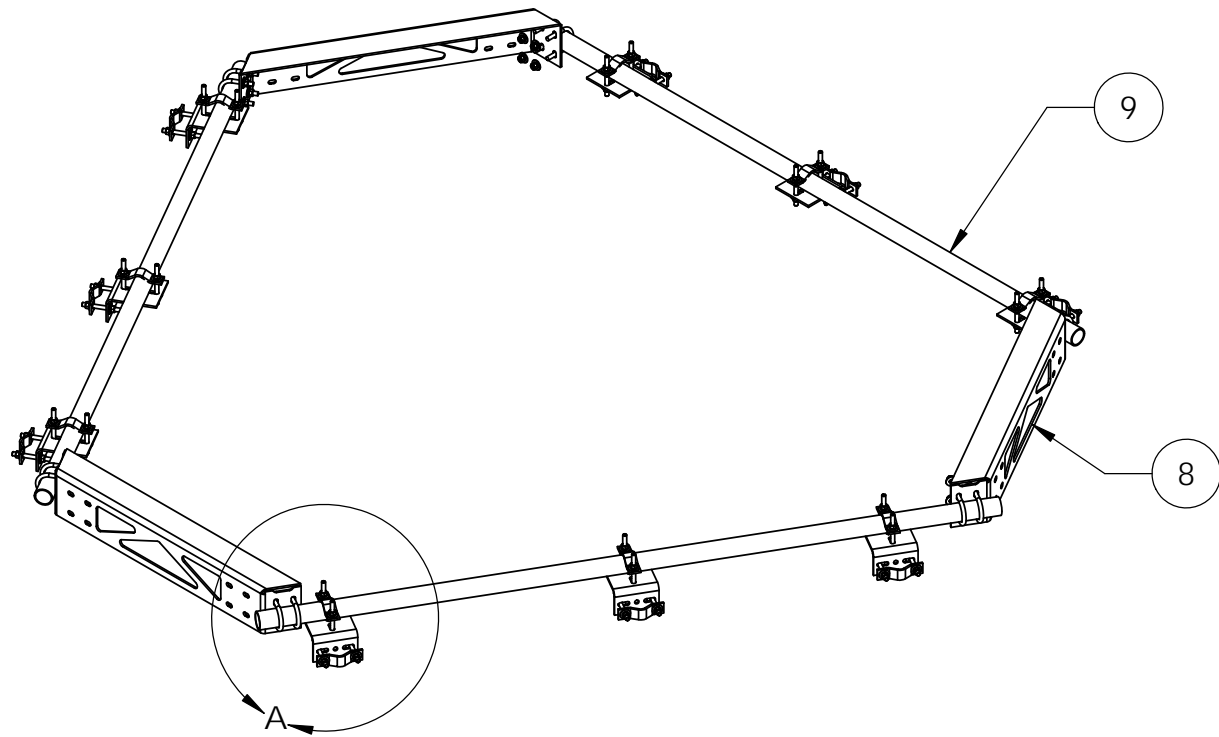


ITEM	PART NO.	DESCRIPTION	QTY.	WEIGHT
1	ACP10	1.5" - 3.5" O.D. CLAMP HALF	18	0.61 LBS
2	XAU01	Angle BRK	9	3.59 LBS
3	GUB-4240	1/2" X 2-1/2" X 4" GALV U-BOLT	12	0.56 LBS
4	MT-379-6	1/2" X 6" GALV THREADED ROD	36	0.33 LBS
5	GWF-04	1/2" GALV FLAT WASHER	72	0.03 LBS
6	GWL-04	1/2" GALV LOCK WASHER	72	0.01 LBS
7	GN-04	1/2" GALV HEX NUT	72	0.04 LBS
8	MT195801	Corner Weldment Snub Nose Handrail	3	27.10 LBS
9	MT-651-96	Ø 2.375" OD X 96" PIPE	3	29.07 LBS

REVISIONS				
REV.	ZONE	DESCRIPTION	BY	DATE
A		INITIAL RELEASE	MSM	02/27/12
B		NEW CORNER PART	MSM	05/16/12
C		PIPE WAS 84" LONG	MSM	11/12/13



NOTES:
1. ALL METRIC DIMENSIONS ARE IN BRACKETS.

These drawings and specifications are the proprietary property of ANDREW CORPORATION and may be used only for the specific purpose authorized in writing by Andrew Corporation. ALL DIMENSIONS ARE IN INCHES U.O.S. TOLERANCES UNLESS OTHERWISE SPECIFIED: .X = ± .12 ANGLES ±2° .XX = ± .06 FRACTIONS ±1/32 .XXX = ± .03 REMOVE BURRS AND BREAK EDGES .005 DO NOT SCALE THIS PRINT	DRAWN BY: MSM	SHEET: 1 of 1	PART NUMBER: MT-195-8
	CHECKED BY: TP	SCALE: NTS	DESCRIPTION: Handrail for MC-PK8 2-3/8 x 3-1/2
	DATE: 01/06/12	MATERIAL: A36, A500	DRAWING TYPE: SHOP DRAWING
	REVISION: C	FINISH: GALV A123	WEIGHT: 239.05 LBS