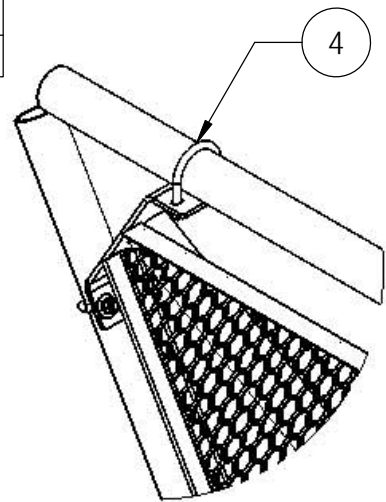
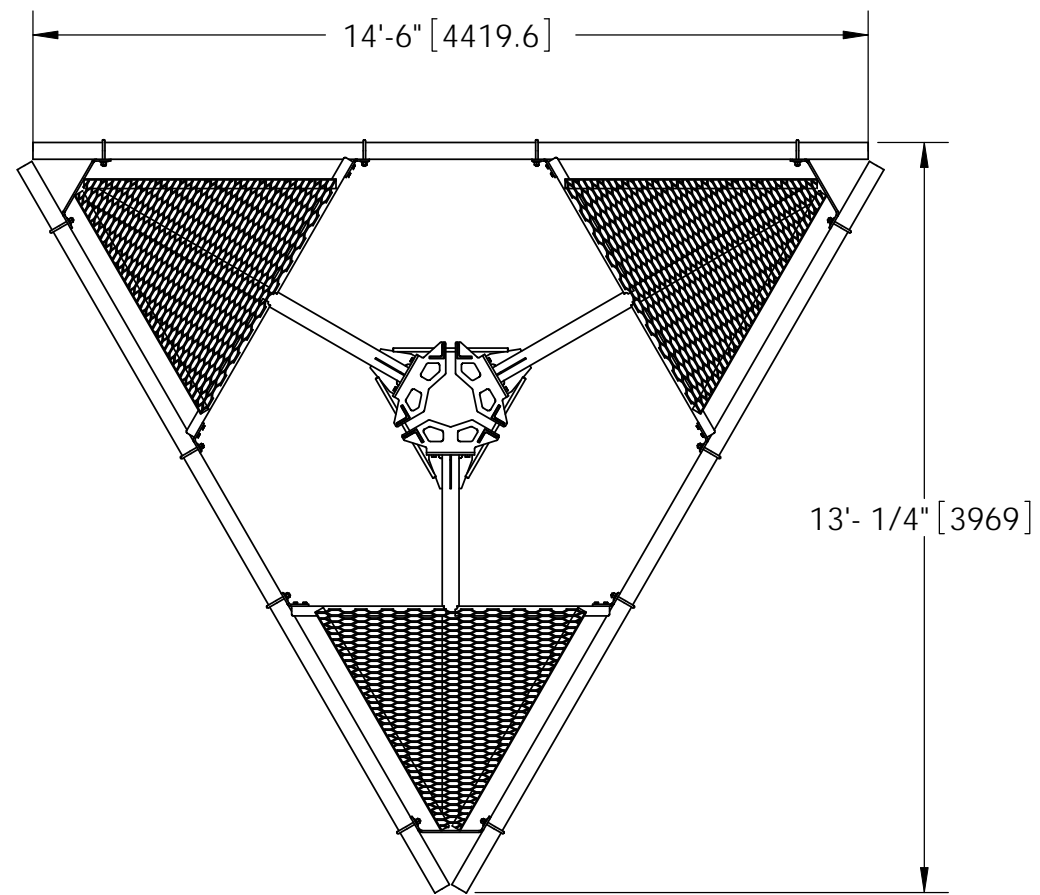
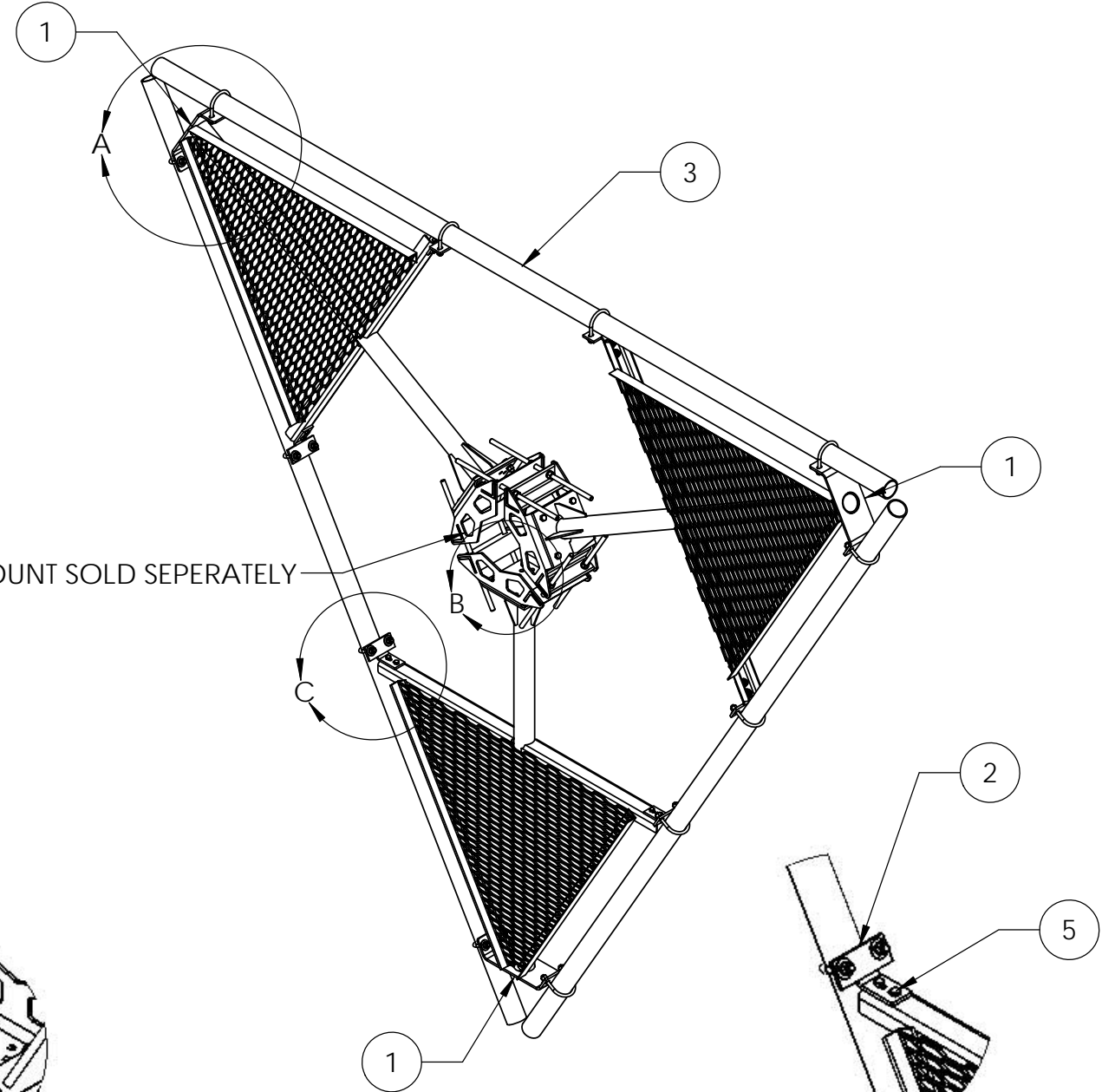


ITEM	PART NO.	DESCRIPTION	QTY.	WEIGHT
1	MT19614.05	Low Profile Co-Location Platform 14' Wldmnt	3	147.44 LBS
2	MT196.17	MT196 Pipe Mount Plate	6	2.49 LBS
3	MT-547-174	3.5" O.D. X 174" PIPE	3	109.27 LBS
4	GUB-4355	1/2" X 3-5/8" X 5" GALV U-BOLT KIT	12	0.71 LBS
5	GB-04125	1/2" X 1-1/4" GALV BOLT KIT	12	0.12 LBS
6	GB-0520A	5/8" X 2" GALV BOLT KIT (A325)	12	0.27 LBS

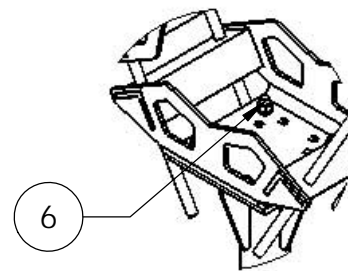
REVISIONS				
REV.	ZONE	DESCRIPTION	BY	DATE
C		UPDATED	DI	03/07/05
D		REDESIGN OF ASSEMBLY	MSM	03/13/08
E		CHANGE ITEM #6	MSM	05/09/08
F		UPDATED MT1961405 WELDMENT	DRR	02/24/12



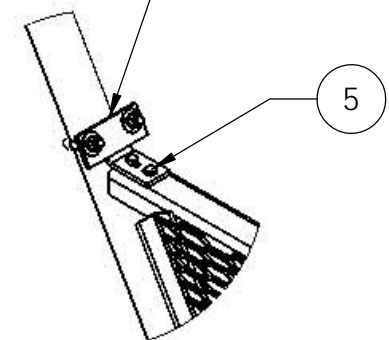
DETAIL A
SCALE 1 : 14



RING MOUNT SOLD SEPERATELY



DETAIL B
SCALE 1 : 14



DETAIL C
SCALE 1 : 14

NOTES:

- ALL METRIC DIMENSIONS ARE IN BRACKETS.
- FITS ROUND MEMBERS $\phi 10'' - \phi 30''$

These drawings and specifications are the proprietary property of CommScope Inc. and may be used only for the specific purpose authorized in writing by CommScope Inc.

ALL DIMENSIONS ARE IN INCHES U.O.S.
TOLERANCES UNLESS OTHERWISE SPECIFIED:
.X = $\pm .12$ ANGLES $\pm 2'$
.XX = $\pm .06$ FRACTIONS $\pm 1/32$
.XXX = $\pm .03$

REMOVE BURRS AND BREAK EDGES .005

DO NOT SCALE THIS PRINT

DRAWN BY: MSM	SHEET: 1 of 1	PART NUMBER: MT-196-14
CHECKED BY: TP	SCALE: NTS	DESCRIPTION: Low Profile Co-Location Platform 14'6"
DATE: 03/13/08	MATERIAL: A36, A500	DRAWING TYPE: ASSEMBLY DRAWING
REVISION: F	FINISH: GALV A123	 WESTCHESTER, IL. 60154 U.S.A.
	WEIGHT: 926.28 LBS	