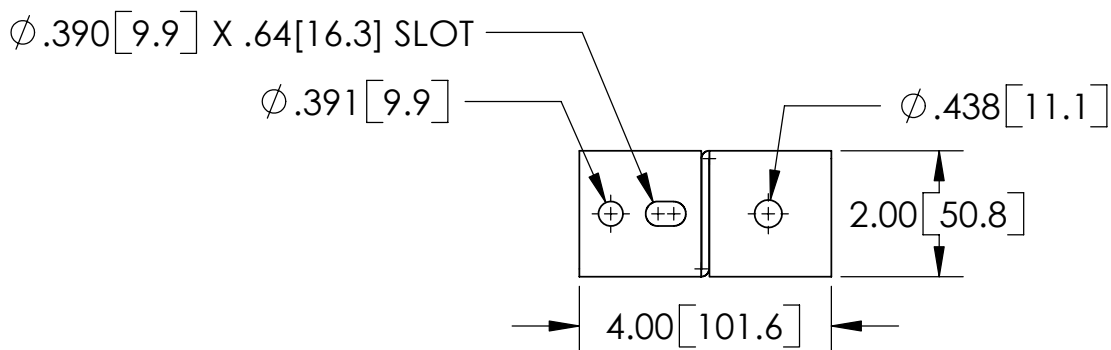
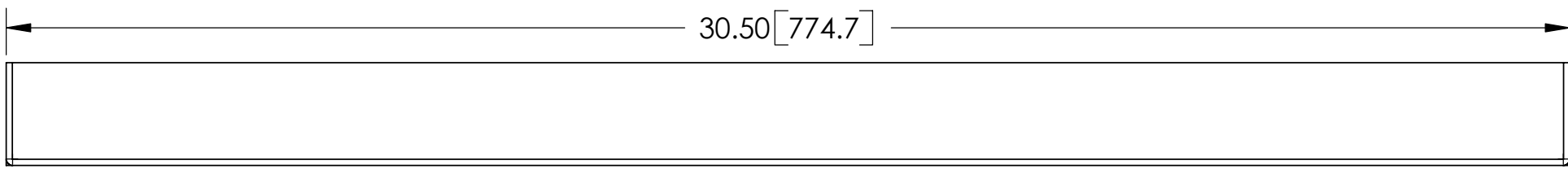
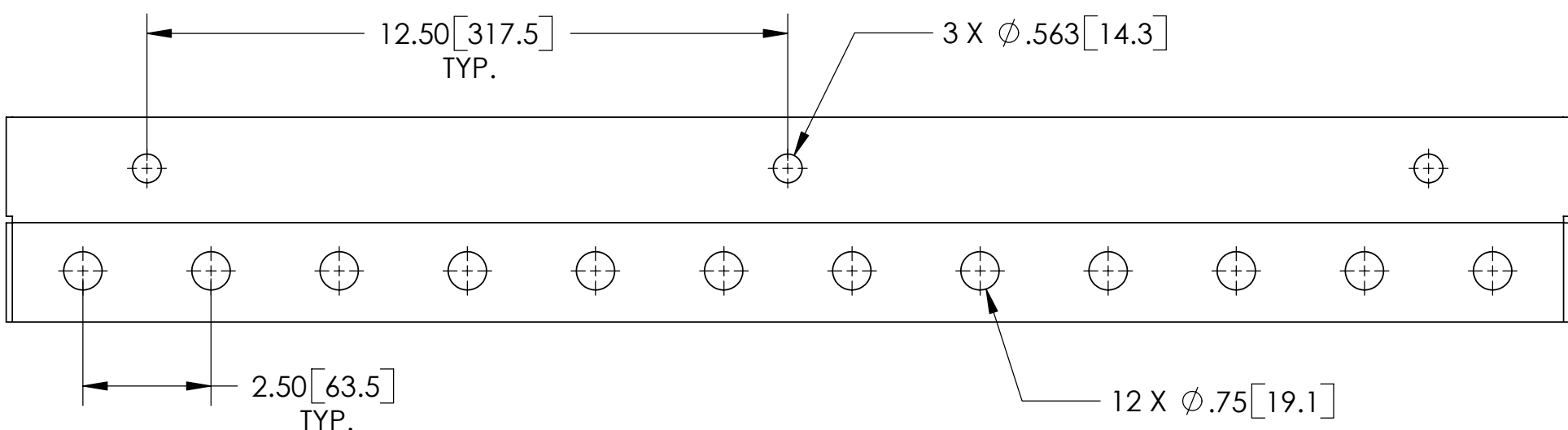
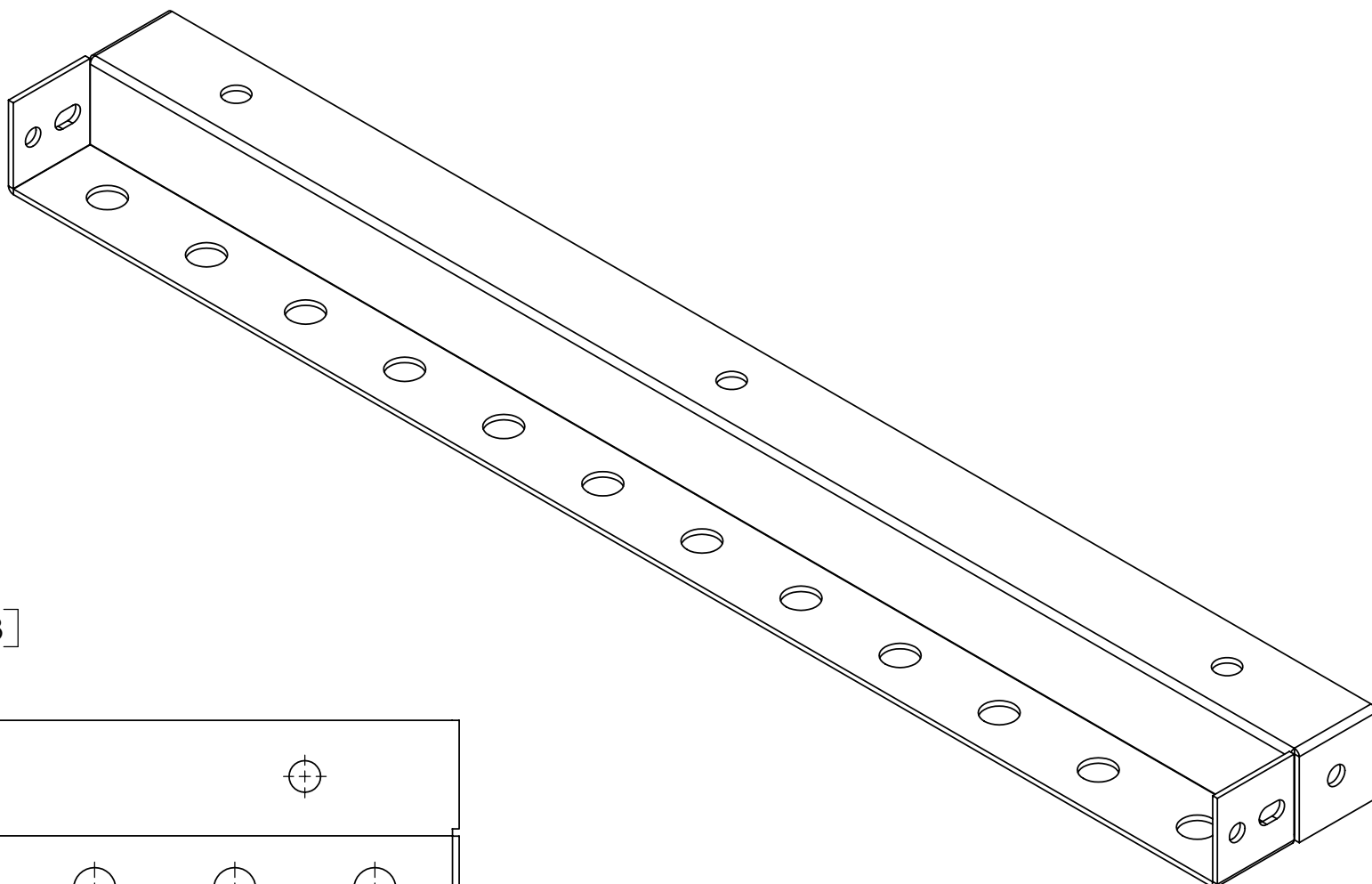



REVISIONS				
REV.	ZONE	DESCRIPTION	BY	DATE
E		INITIAL RELEASE	ACG	09/05/06



NOTES:
 1. ALL METRIC DIMENSIONS ARE IN BRACKETS.
 2. STAMP PART IDENTIFICATION NUMBER.

These drawings and specifications are the proprietary property of ANDREW CORPORATION and may be used only for the specific purpose authorized in writing by Andrew Corporation. ALL DIMENSIONS ARE IN INCHES U.O.S. TOLERANCES UNLESS OTHERWISE SPECIFIED: .X = ± .06 ANGLES ±2° .XX = ± .03 FRACTIONS ±1/32 .XXX = ± .010 REMOVE BURRS AND BREAK EDGES .005 DO NOT SCALE THIS PRINT	DRAWN BY: ACG	SHEET: 1 of 1	PART NUMBER: MT-FI588
	CHECKED BY: TP	SCALE: NTS	DESCRIPTION: WALL MOUNT BRACKET (12-RUNS OF COAX)
	DATE: 09/05/06	MATERIAL: A36	DRAWING TYPE: ASSEMBLY DRAWING
	REVISION: E	FINISH: GALV A123	 ORLAND PARK, IL. 60462 U.S.A.
	WEIGHT: 6.27 LBS		