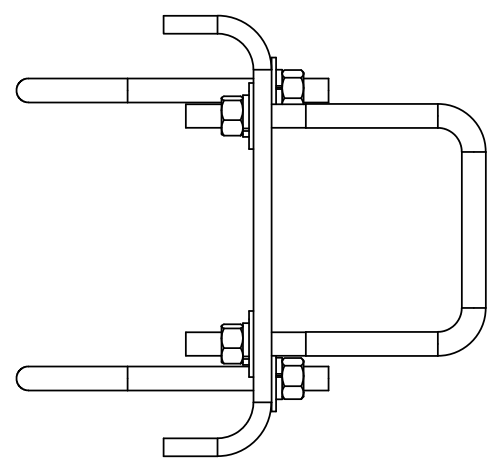
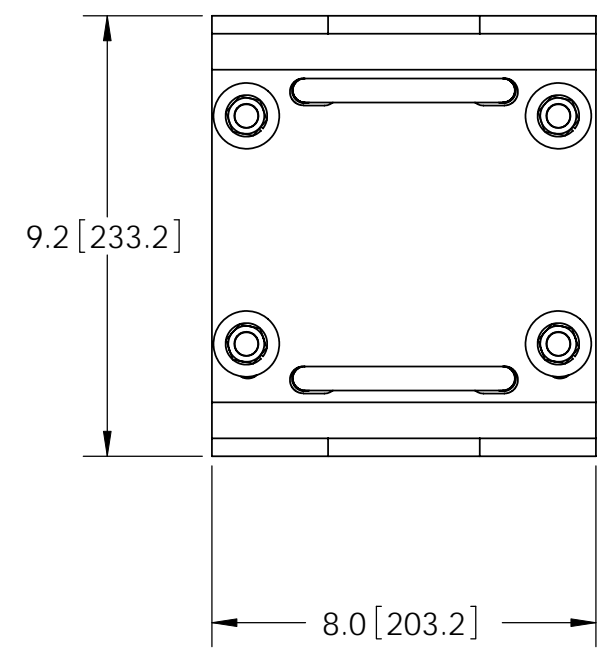
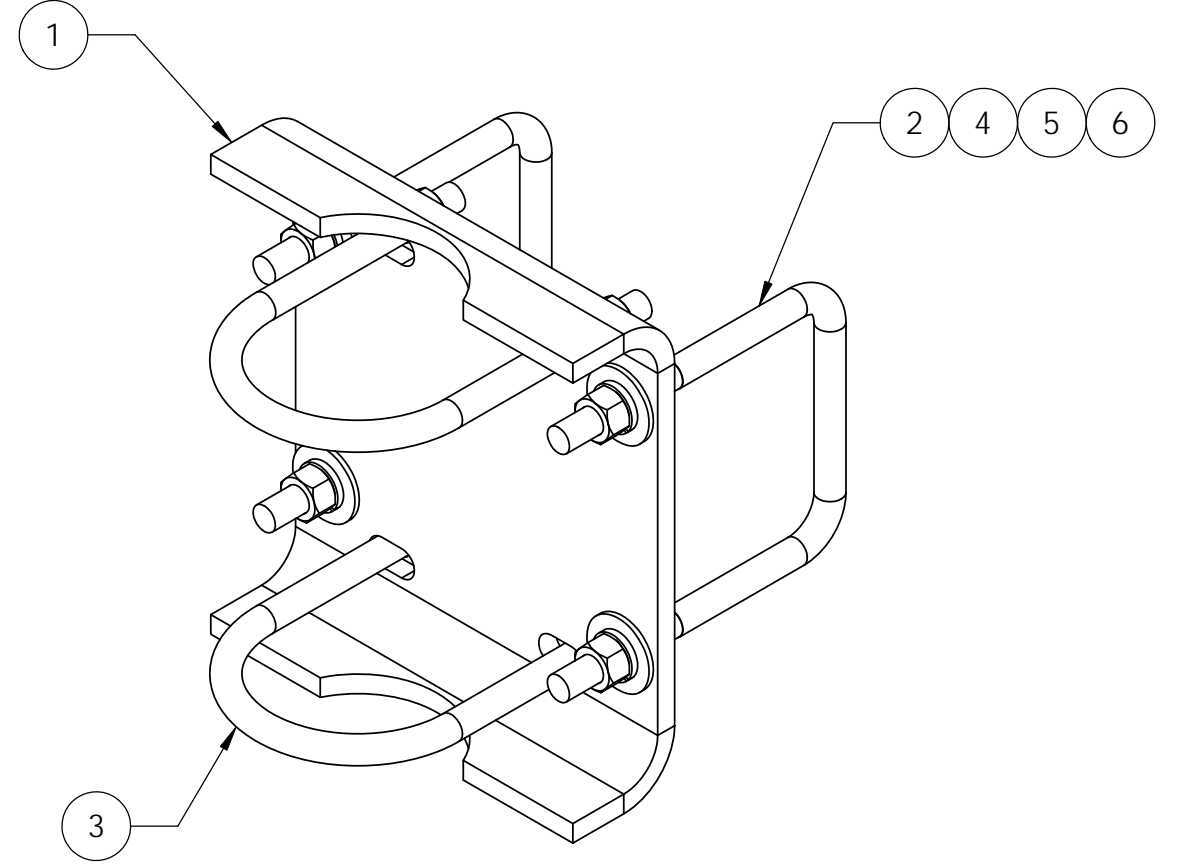
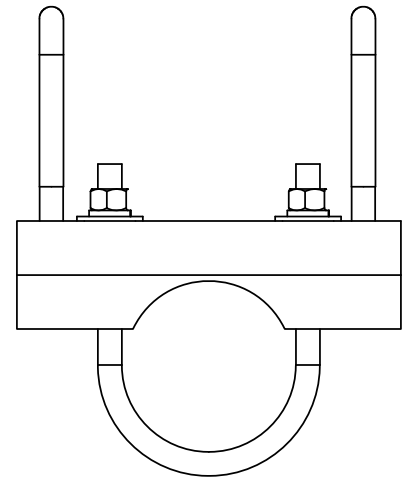


ITEM	PART NO.	DESCRIPTION	QTY.	WEIGHT
1	MTC305503	Pipe Mount Plate, 3-1/2" Pipe , 4" Sq Tube	1	9.35 LBS
2	MTC305505	Sq Galv U-Bolt, 1/2-13 x 4 x 6	2	0.88 LBS
3	GUB-4356	1/2" X 3-5/8" X 6" GALV U-BOLT	2	1.44 LBS
4	GWF-04	1/2" GALV FLAT WASHER	4	0.06 LBS
5	GWL-04	1/2" GALV LOCK WASHER	4	0.09 LBS
6	GN-04	1/2" GALV HEX NUT	4	0.04 LBS

REVISIONS				
REV.	ZONE	DESCRIPTION	BY	DATE
A		INITIAL RELEASE	MSM	06/10/10



NOTES:
 1. ALL METRIC DIMENSIONS ARE IN BRACKETS.

<small>These drawings and specifications are the proprietary property of ANDREW CORPORATION and may be used only for the specific purpose authorized in writing by Andrew Corporation.</small> ALL DIMENSIONS ARE IN INCHES U.O.S. TOLERANCES UNLESS OTHERWISE SPECIFIED: .X = ± .12 ANGLES ±2° .XX = ± .06 FRACTIONS ±1/32 .XXX = ± .03 REMOVE BURRS AND BREAK EDGES .005 DO NOT SCALE THIS PRINT	DRAWN BY: MSM	SHEET: 1 of 1	PART NUMBER: MTC3055PM35
	CHECKED BY: TP	SCALE: NTS	DESCRIPTION: Pipe Mount Bracket, 3-1/2" OD x 4" Sq Tube
	DATE: 05/06/10	MATERIAL: A36	DRAWING TYPE: ASSEMBLY DRAWING
	REVISION: A	FINISH: GALV A123	WEIGHT: 13.48 LBS