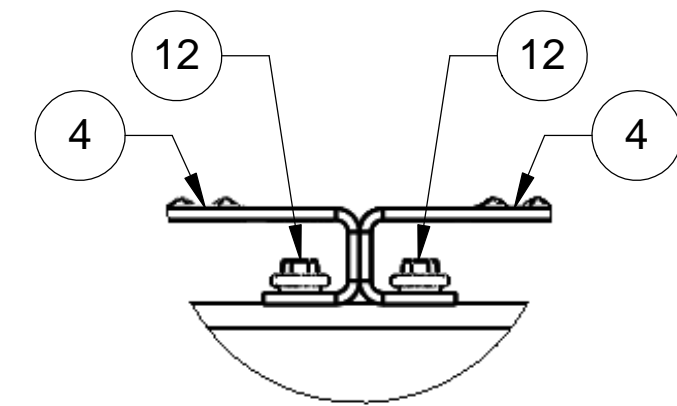
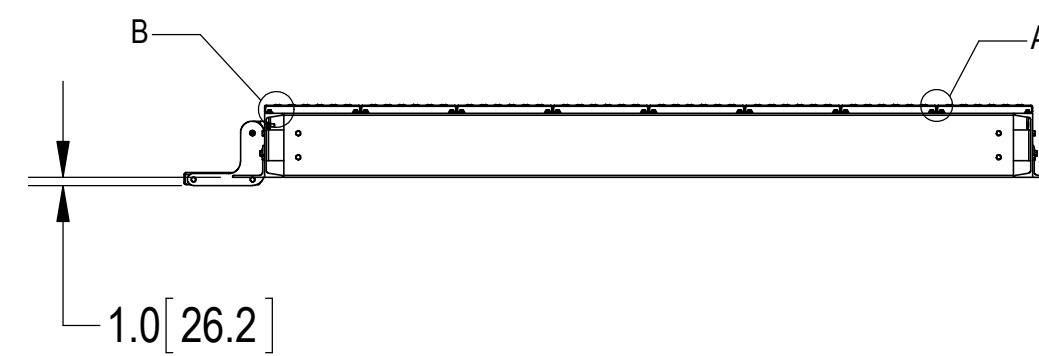
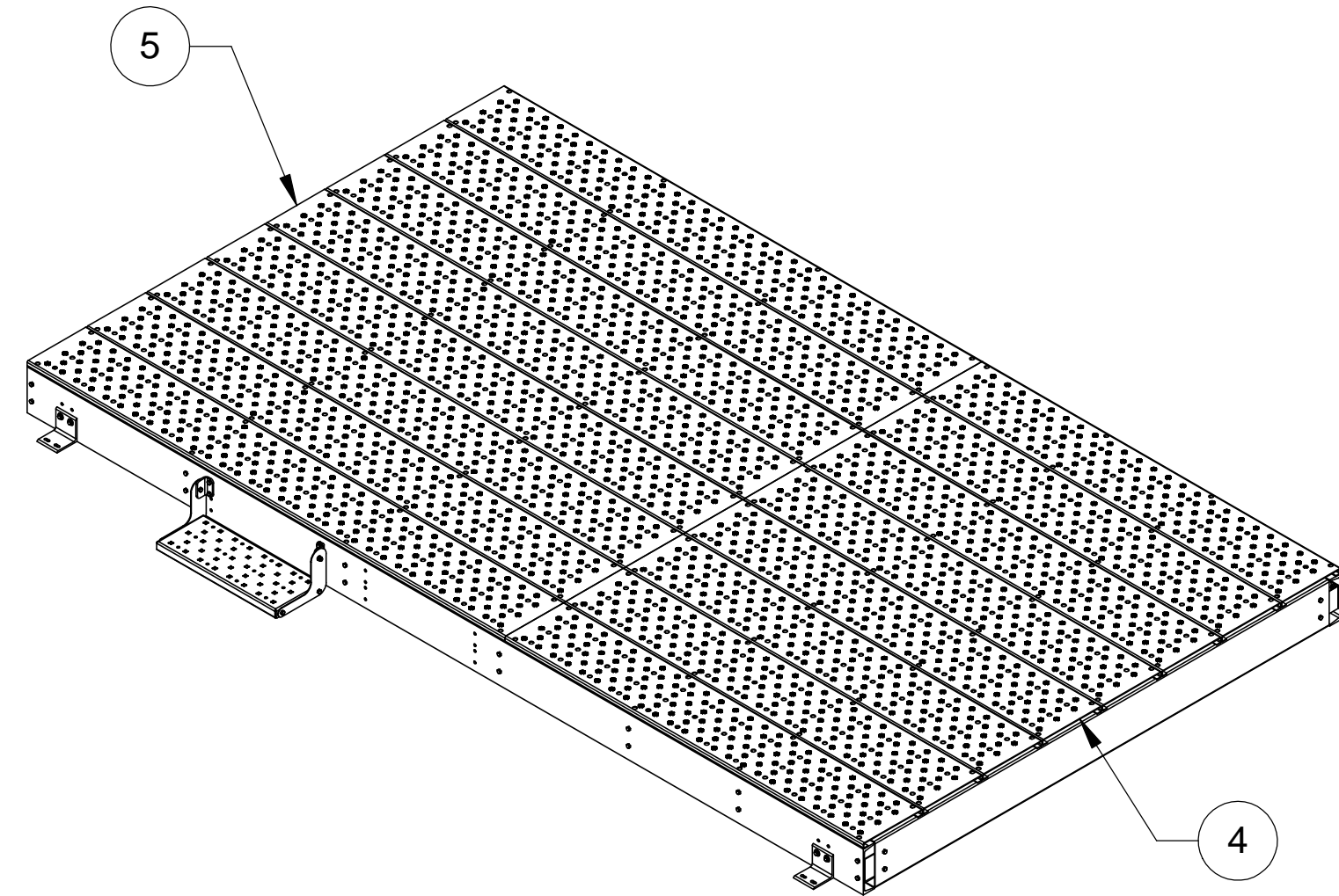
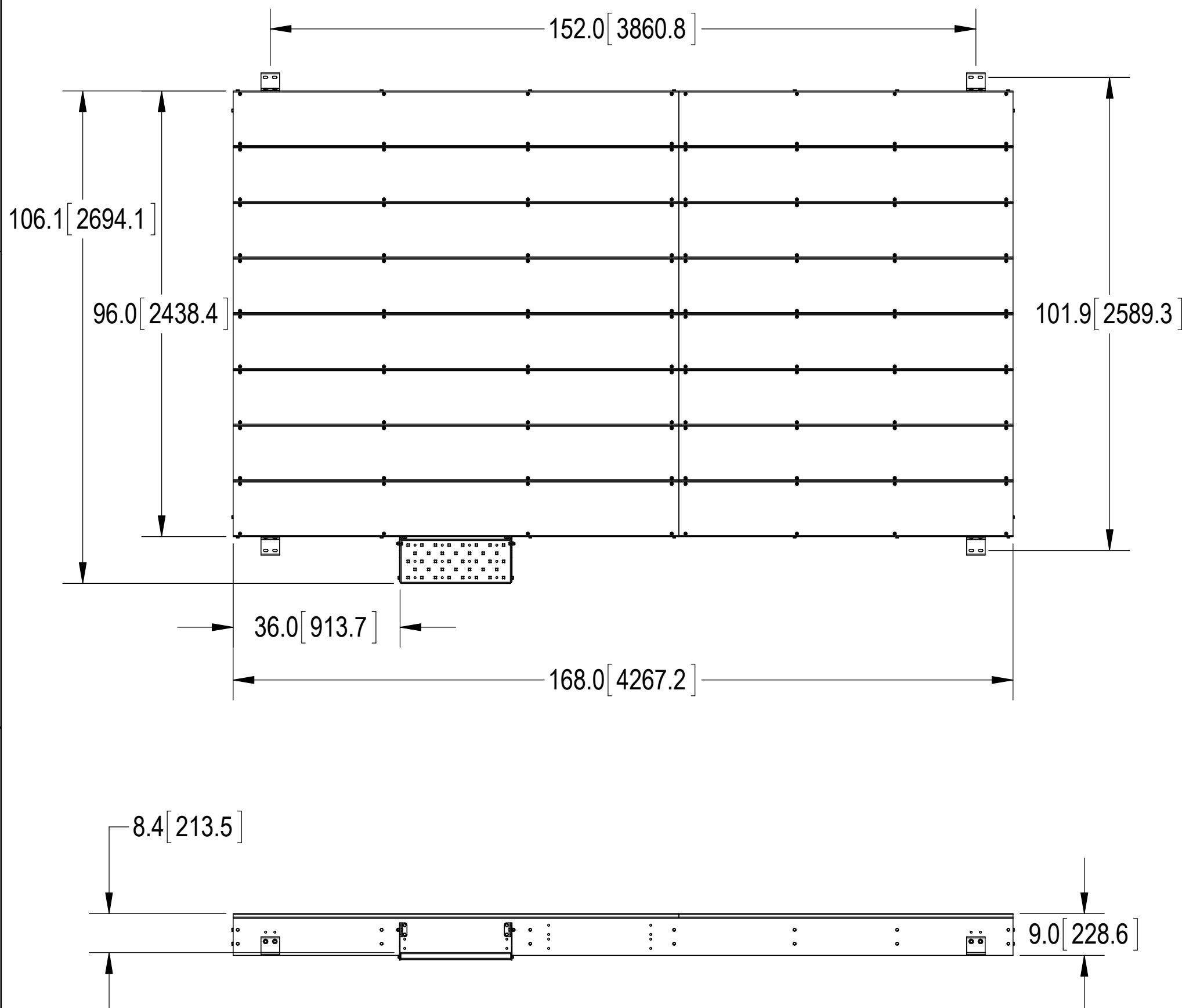
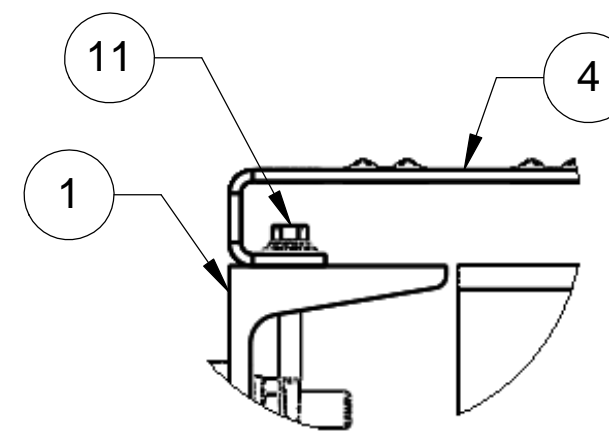


NOTES:  
1.0 ALL METRIC DIMENSIONS ARE IN BRACKETS.

| REVISIONS |            |                 |     |          |
|-----------|------------|-----------------|-----|----------|
| REV.      | ECN        | DESCRIPTION     | BY  | DATE     |
| A         | 8000028414 | INITIAL RELEASE | RJC | 02/19/18 |



DETAIL A  
SCALE 1:2



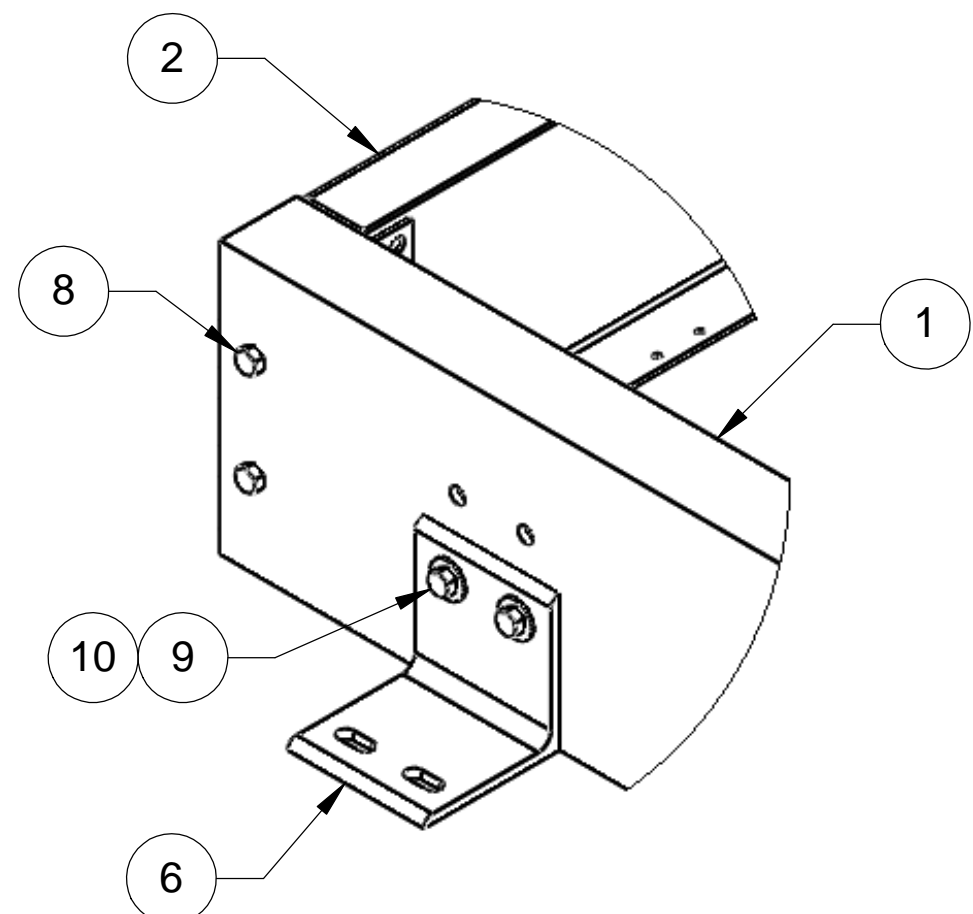
DETAIL B  
SCALE 1:2

| ITEM | PART NO.  | DESCRIPTION                               | QTY. | WEIGHT     | NOTE NO. |
|------|-----------|---|------|------------|----------|
| 1    | MTC398901 | CHANNEL, 14' PLATFORM                     | 2    | 157.50 LBS |          |
| 2    | MTC398902 | CHANNEL, FORMED 8" X 8" PLATFORM          | 8    | 34.98 LBS  |          |
| 3    | MTC398905 | BRACKET, CHANNEL ADAPTER                  | 14   | 0.82 LBS   |          |
| 4    | MTC398972 | DECK, FORMED                              | 8    | 35.60 LBS  |          |
| 5    | MTC398996 | DECK, 8' FORMED                           | 8    | 47.49 LBS  |          |
| 6    | MTC398703 | BRACKET, PIER MOUNTING                    | 4    | 2.08 LBS   |          |
| 7    | MTC3922S  | STEP FOR LIGHT DUTY PLATFORM              | 1    | 15.01 LBS  |          |
| 8    | GB-03105  | 3/8" X 1" GALV BOLT KIT                   | 56   | 0.05 LBS   |          |
| 9    | GB-03145  | 3/8" X 1-1/2" GALV BOLT KIT               | 12   | 0.07 LBS   |          |
| 10   | GWF-03    | 3/8" GALV FLAT WASHER                     | 8    | 0.01 LBS   |          |
| 11   | TS1220    | 12-24 X 2" SELF DRILLING SCREW            | 16   | 0.03 LBS   |          |
| 12   | TS1275    | TEK SCREW #12 X 3/4, WITH NEOPRENE WASHER | 112  | 0.02 LBS   |          |

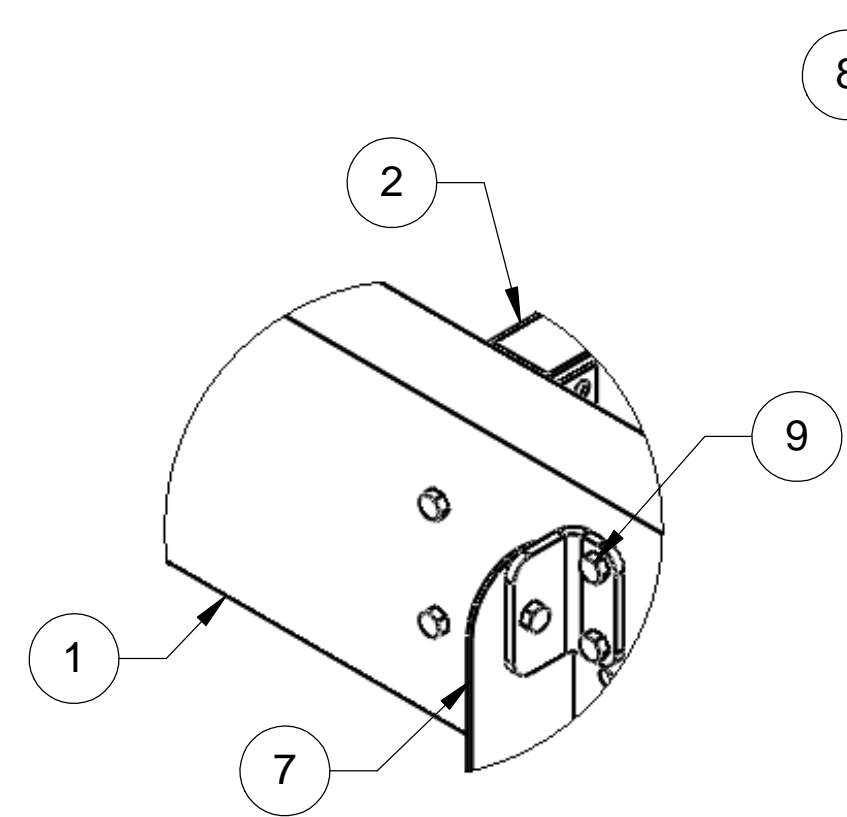
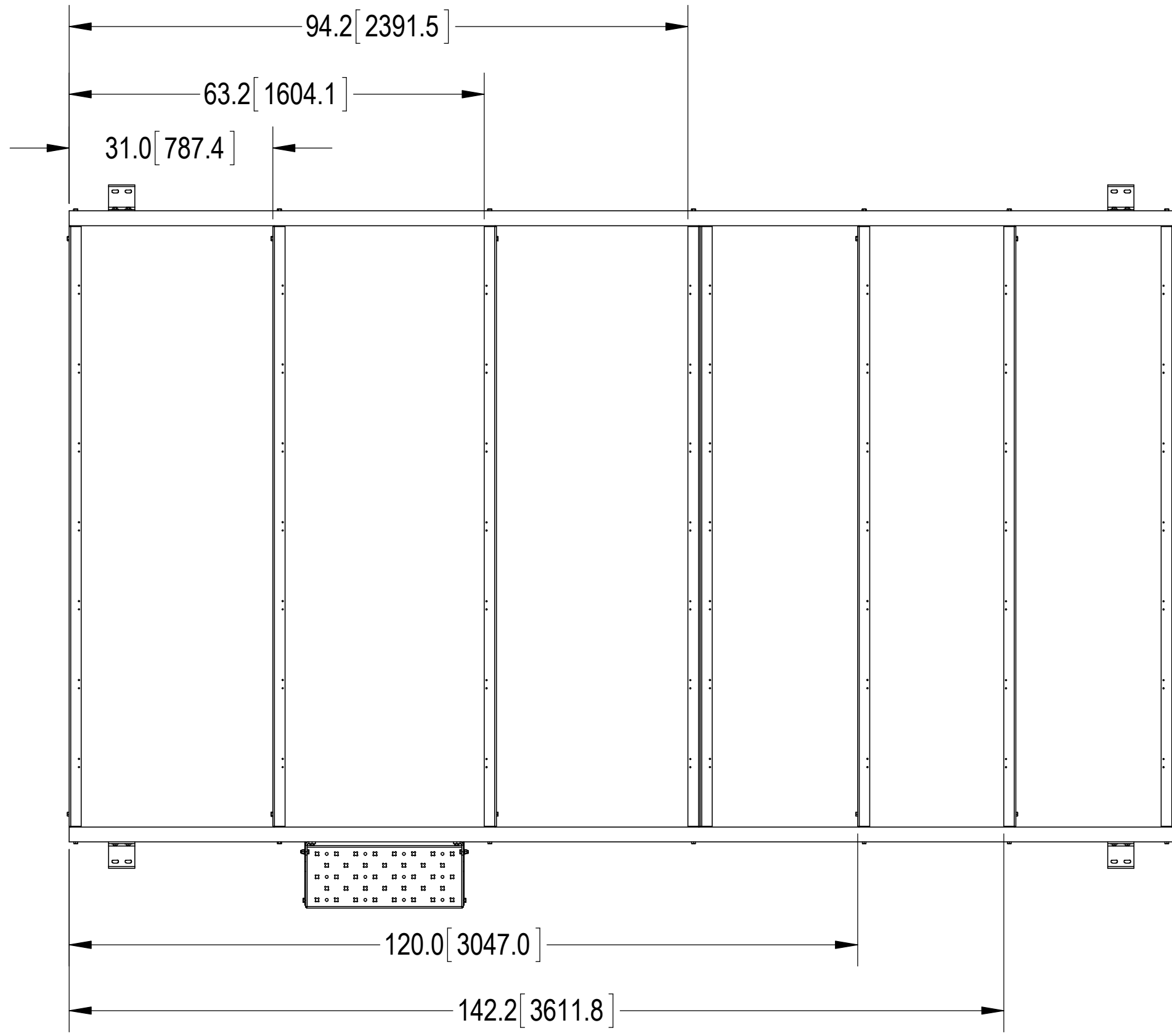
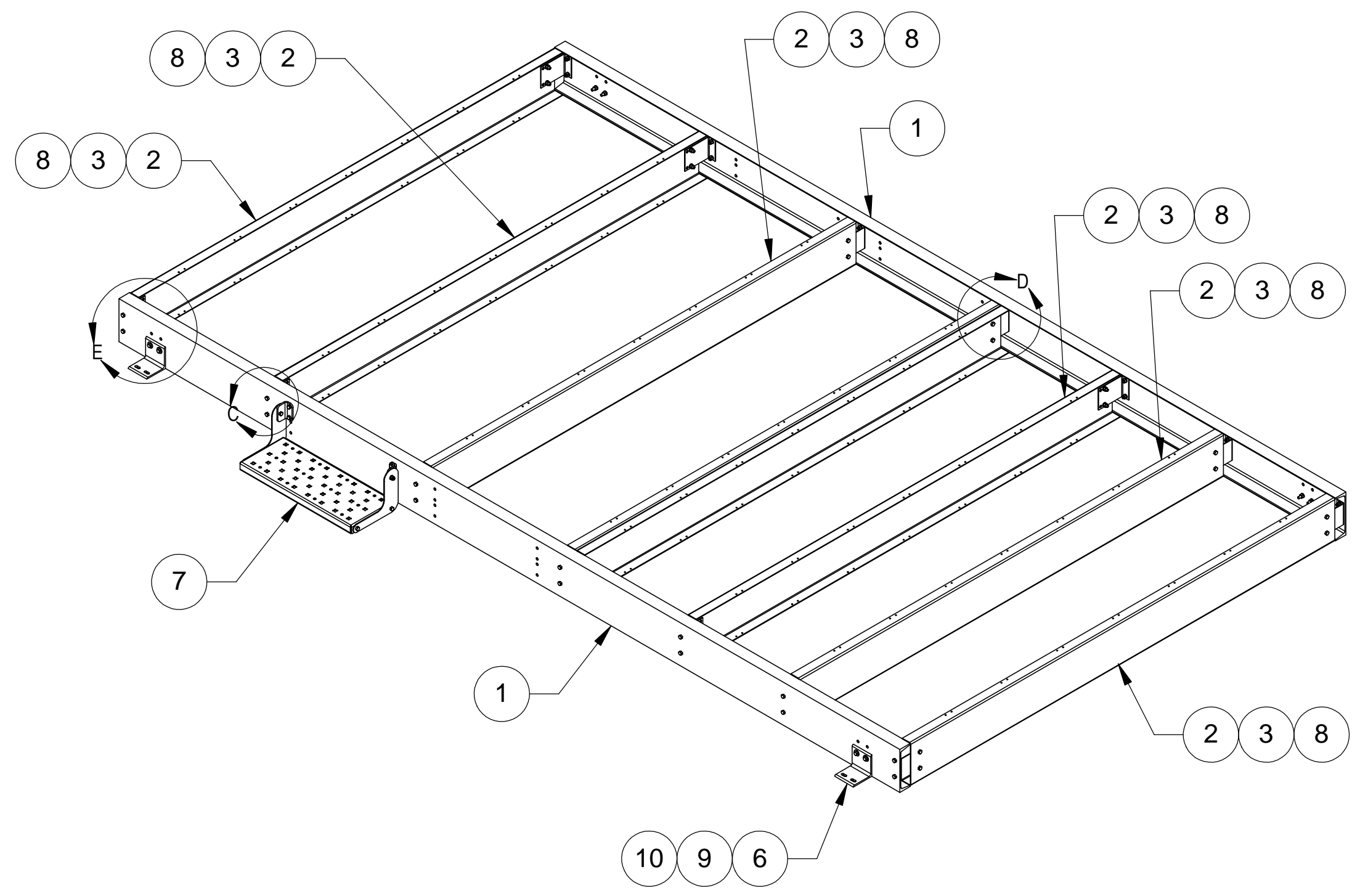
COMMScope, INC. OF NORTH CAROLINA

| TOLERANCES   |                   |             |  | SAP MATERIAL MASTER      |         |        |          |
|--|-------------------|-------------|--|--------------------------|---------|--------|----------|
| 0 PLACE  | X ± .25           | 2 PLACE     | .XX ± .06                                | <b>MTC3989PF</b>         |         |        |          |
| 1 PLACE  | .X ± .12          | ANGLES ± 2° |  |                          |         |        |          |
| FINISH   |                   |             |  | MATERIAL                 |         |        |          |
| <b>GALV A123</b>   |                   |             |  | <b>A1011/A1018, A529</b> |         |        |          |
| UNLESS OTHERWISE SPECIFIED DIMENSIONS ARE IN MILLIMETERS INTERPRET PER ISO STANDARDS HANDBOOK TECHNICAL DRAWINGS VOLUMES 1 & 2, THIRD EDITION (2002) |                   | NAME        | DATE                                     | TITLE                    |         |        |          |
| CE   | <b>RJC</b>        | 11/14/17    | <b>8'x14' PLATFORM, PIER ATTACHMENTS</b> |                          |         |        |          |
| RW   |                   |             |  |                          |         |        |          |
| RV   |                   |             |  |                          |         |        |          |
| AD   |                   |             |  |                          |         |        |          |
| RE   | <b>TP</b>         | 11/14/17    | SCALE                                    | DOCUMENT NO.             |         |        |          |
| ECN  | <b>8000028414</b> |             | <b>1:24</b>                              | <b>MTC3989PF</b>         |         |        |          |
| SIZE   | WORK AREA         | MODEL       |  | DRAWING                  |         |        |          |
| <b>C</b>   |                   | VERSION     | STATUS                                   | REVISION                 | VERSION | STATUS | REVISION |
|  |                   |             |  |                          |         |        | <b>A</b> |
|  |                   |             |  |                          |         |        | SHEET    |
|  |                   |             |  |                          |         |        | 1 OF 2   |

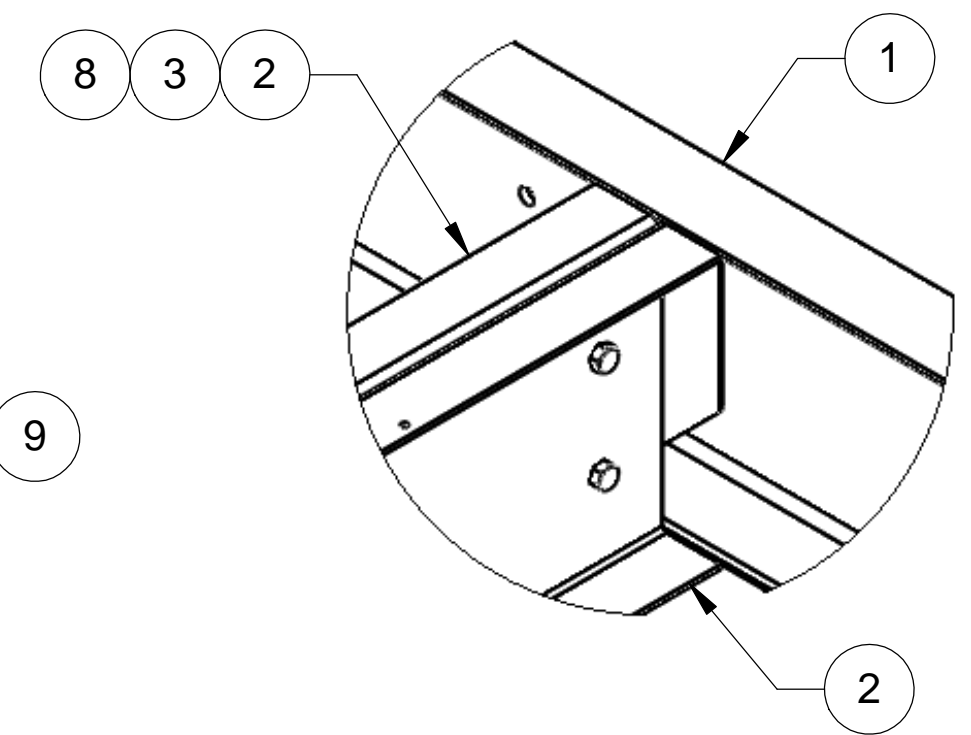
NOTES:  
1.0 ALL METRIC DIMENSIONS ARE IN BRACKETS.



DETAIL E  
SCALE 1:4



DETAIL C  
SCALE 1:4



DETAIL D  
SCALE 1:4

|   |                      |                                  |        |                 |
|---|----------------------|----------------------------------|--------|-----------------|
| COMMScope, INC. OF NORTH CAROLINA                 |                      |                                  |        |                 |
| TITLE<br><b>8'x14' PLATFORM, PIER ATTACHMENTS</b> |                      |                                  |        |                 |
| SIZE<br><b>C</b>                                  | SCALE<br><b>1:18</b> | DOCUMENT NO.<br><b>MTC3989PF</b> |        |                 |
| DRAWING   |                      | VERSION                          | STATUS | REVISION        |
|   |                      |                                  |        | <b>A</b>        |
|   |                      |                                  |        | SHEET<br>2 OF 2 |