

4

3

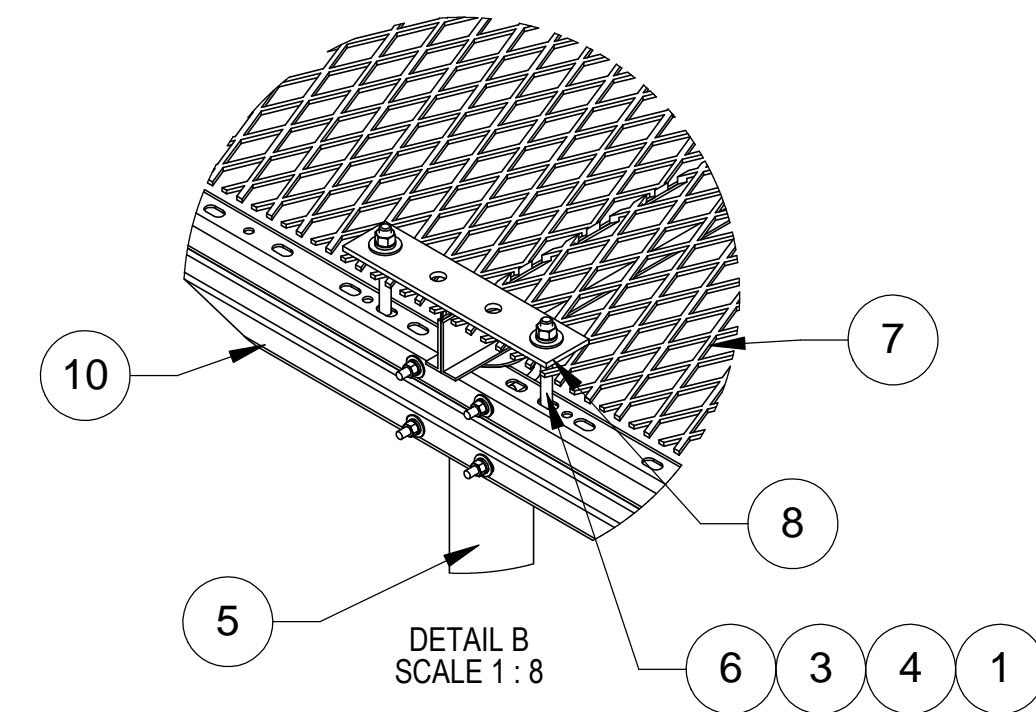
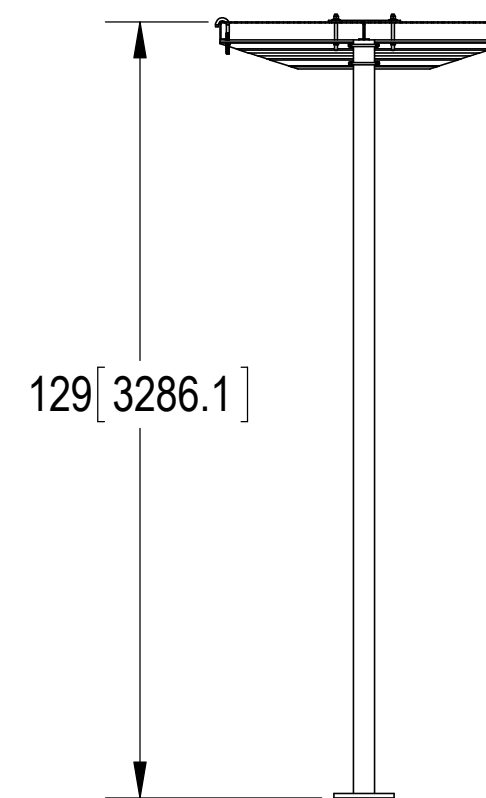
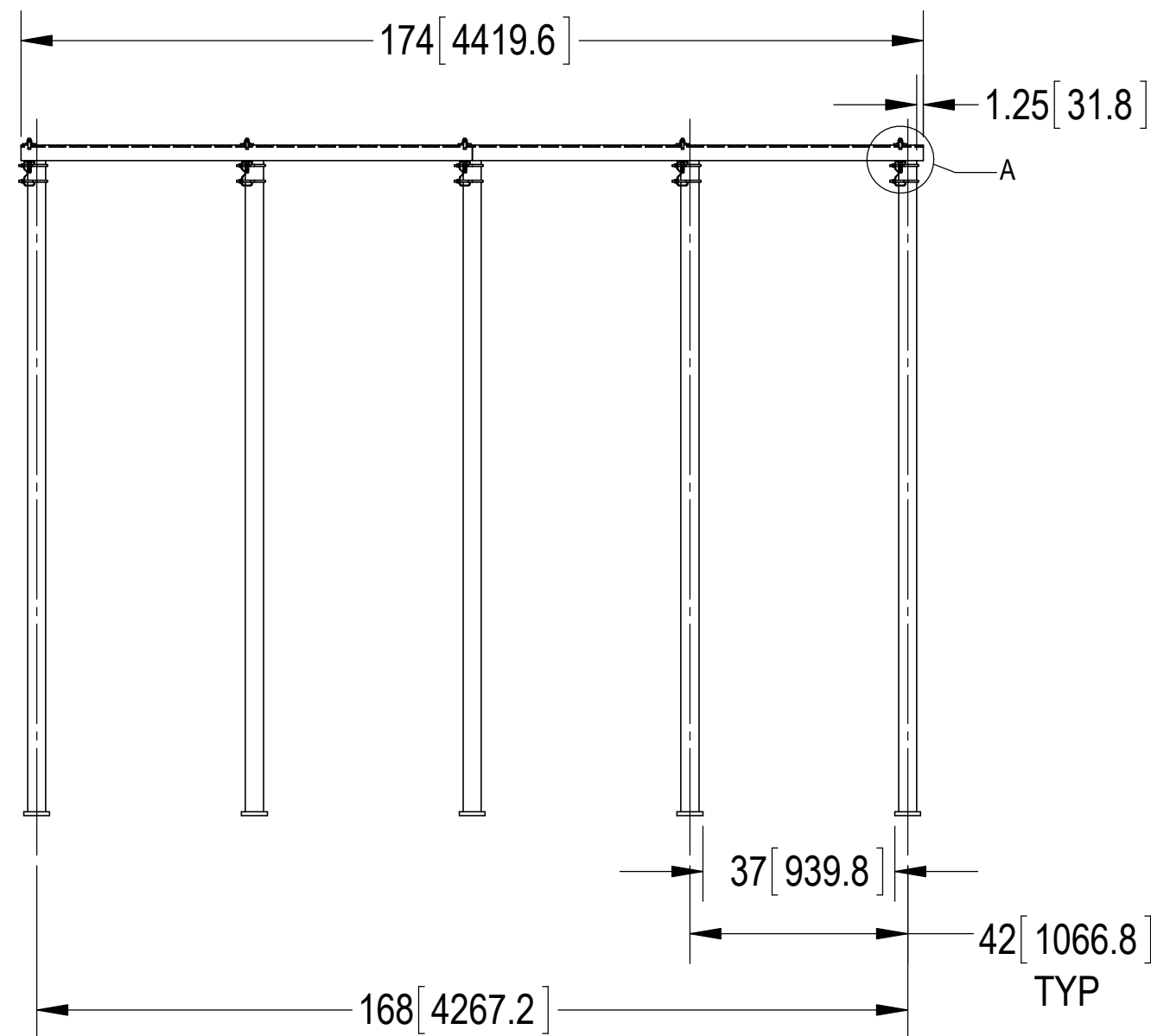
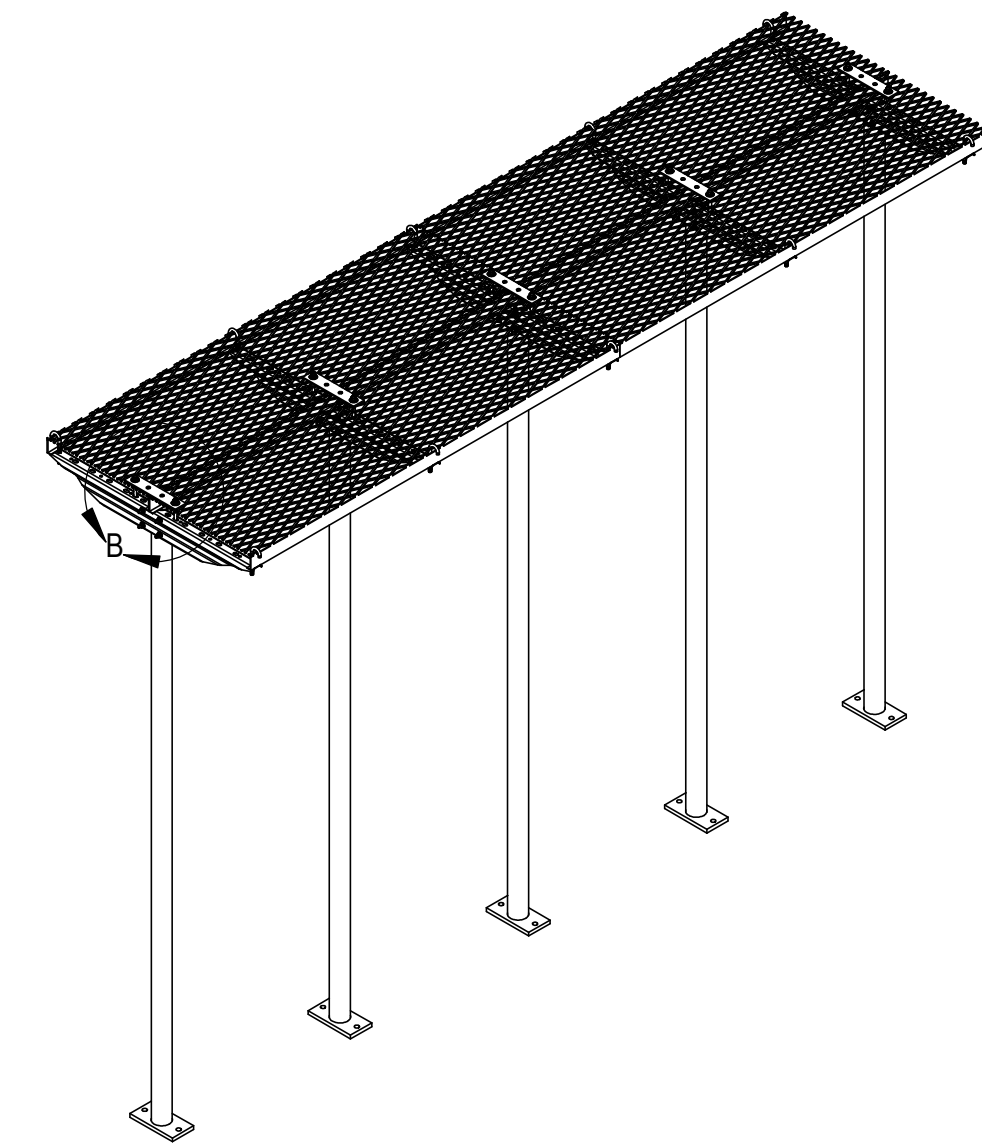
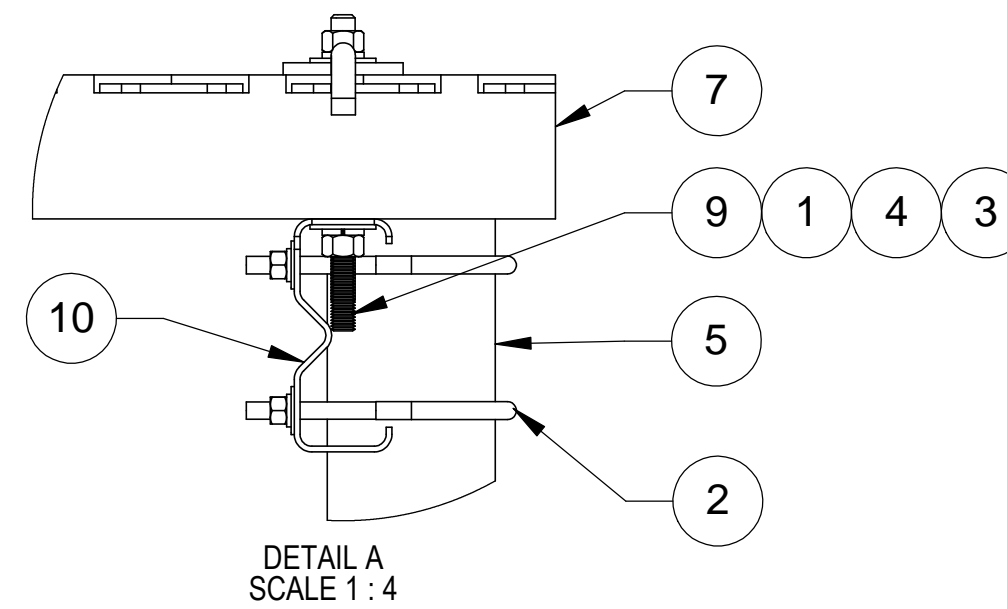
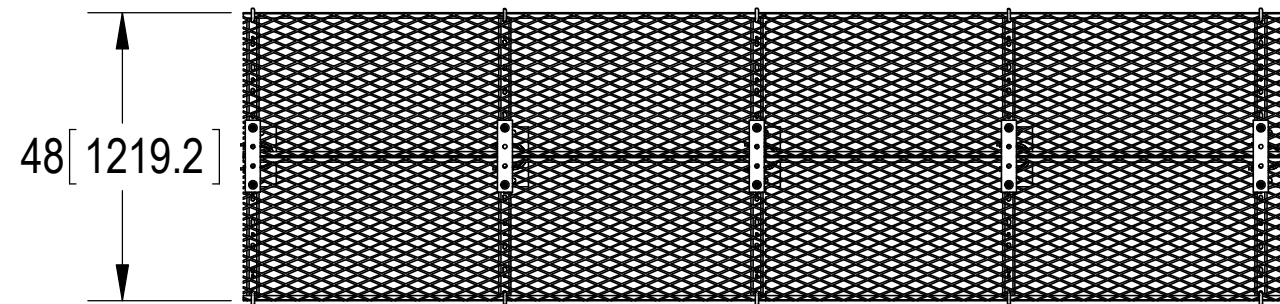
2

1

NOTES:

1.0 ALL METRIC DIMENSIONS ARE IN BRACKETS.

REVISIONS				
REV.	ECN	DESCRIPTION	BY	DATE
A	8000028694	INITIAL RELEASE	MRC	03/01/18



ITEM	PART NO.	DESCRIPTION	QTY.	WEIGHT	NOTE NO.
1	GN-04	1/2" GALV HEX NUT	30	0.04 LBS	
2	GUB-3355	3/8" X 3-5/8" X 5-1/4" GALV U-BOLT	10	0.40 LBS	
3	GW-04	1/2" GALV FLAT WASHER	30	0.03 LBS	
4	GWL-04	1/2" GALV LOCK WASHER	30	0.01 LBS	
5	MF12616510	PIPE COLUMN KIT	5	69.59 LBS	
6	MT-379-6	1/2" X 6" GALV THREADED ROD	10	0.33 LBS	
7	MTC401513	SAFETY GRATING 24" X 87"	4	88.80 LBS	
8	SB4	SPLICE PLATE, 4 HOLES	5	2.01 LBS	
9	WBJB6	1/2" J-BOLT	10	0.41 LBS	
10	WBLB48301	48" WAVE GUIDE BRIDGE SUPPORT BRACKET	5	10.91 LBS	

COMMSCOPE, INC. OF NORTH CAROLINA

TOLERANCES		SAP MATERIAL MASTER		
0 PLACE X ± .25	2 PLACE .XX ± .06	MTC4015174C		
1 PLACE .X ± .12	ANGLES ± 2°			
FINISH		MATERIAL		
GALV. A123		A500, A1011/A1018		
UNLESS OTHERWISE SPECIFIED DIMENSIONS ARE IN MILLIMETERS INTERPRET PER ISO STANDARDS HANDBOOK TECHNICAL DRAWINGS VOLUMES 1 & 2, THIRD EDITION (2002)	NAME	DATE	TITLE	
	CE MRC	11/13/17	ICE CANOPY, 5 POSTS	
	RW			
	AD		SCALE	DOCUMENT NO.
	RE TP	11/13/17	1:32	MTC4015174C
ECN	8000028694			
SIZE	WORK AREA	MODEL		
C		VERSION	STATUS	
		REVISION	REVISION	
		DRAWING		
		VERSION	STATUS	
		REVISION	REVISION	
		A		
			SHEET	
			1 OF 2	

4

3

2

1

NOTES:

1.0 ALL METRIC DIMENSIONS ARE IN BRACKETS.

D

D

C

C

B

B

A

A

3.50" MINIMUM

$\phi .88 [22.2]$

CONCRETE SLAB
BY OTHERS

COMMScope, INC. OF NORTH CAROLINA

TITLE

ICE CANOPY, 5 POSTS

SIZE
C

SCALE
1:16

DOCUMENT NO.
MTC4015174C



DRAWING			SHEET 2 OF 2
VERSION	STATUS	REVISION	
		A	

© 2015 CommScope, Inc. Confidential

4

3

2

1