

4

3

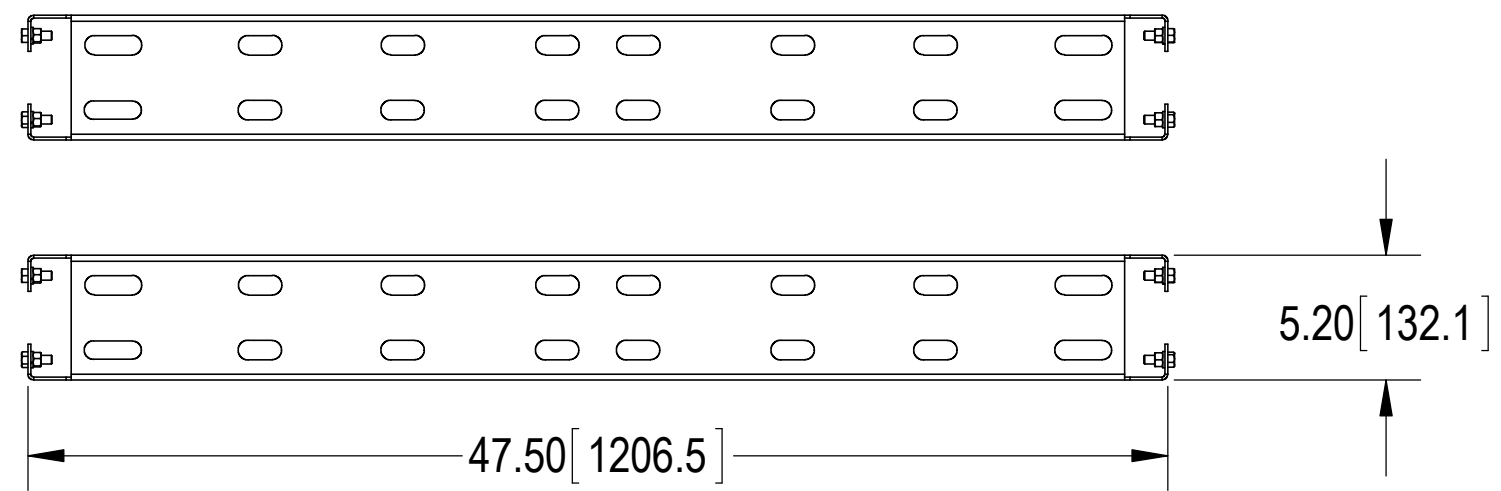
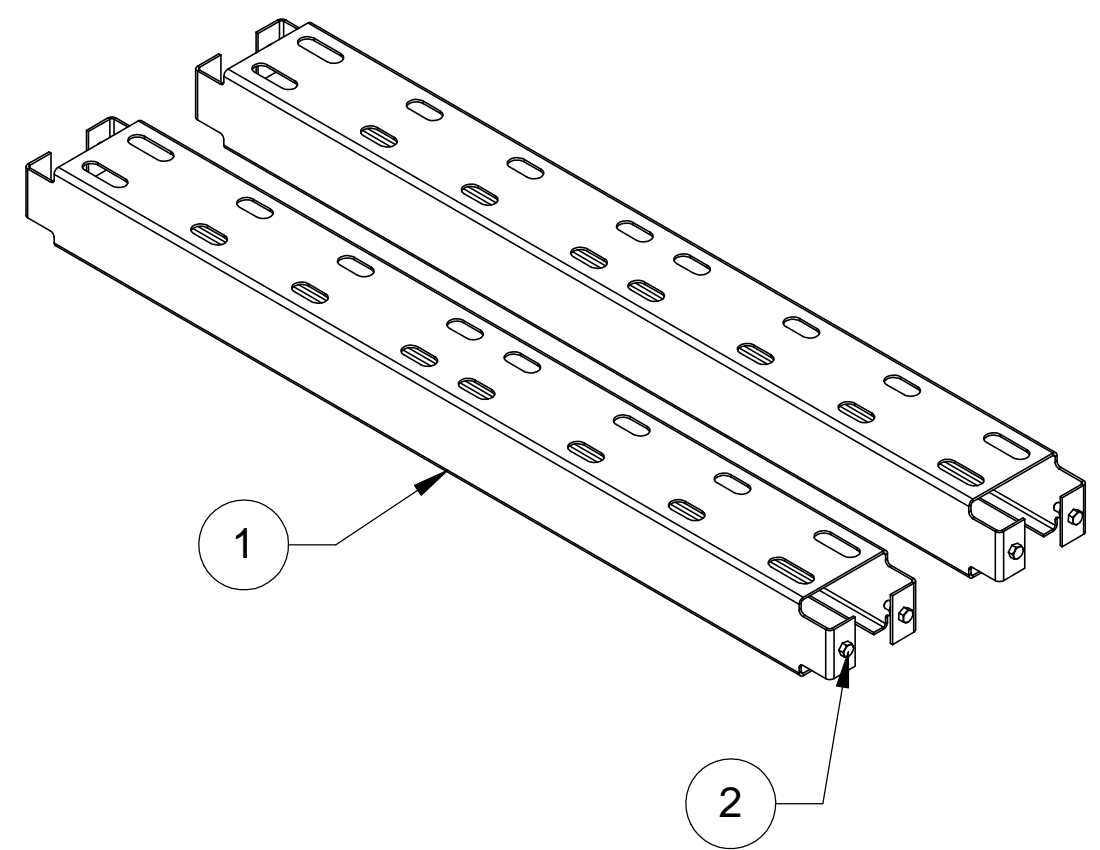
2

1

NOTES:

1.0 ALL METRIC DIMENSIONS ARE IN BRACKETS.

REVISIONS				
REV.	ECN	DESCRIPTION	BY	DATE
A	8000030750	INITIAL RELEASE	MRC	07/12/18



ITEM	PART NO.	DESCRIPTION	QTY.	WEIGHT	NOTE NO.
1	MTC4037B12	CHANNEL, 11 GA, 4" X 5.2" X 47.5"	2	21.16 LBS	
2	GB-03105	3/8" X 1" GALV BOLT KIT	8	0.05 LBS	

DENSITY	0.28	lbs/in ³
MASS	42.92	lbs
VOLUME	150.97	in ³
SURFACE AREA		in ²
HEIGHT		
LENGTH		
WIDTH		

COMMSCOPE, INC. OF NORTH CAROLINA

TOLERANCES		SAP MATERIAL MASTER						
0 PLACE X ± .25	2 PLACE .XX ± .06	MTC405312						
1 PLACE .X ± .12	ANGLES ± 2°							
FINISH		MATERIAL						
GALV A123		A1011						
UNLESS OTHERWISE SPECIFIED DIMENSIONS ARE IN MILLIMETERS INTERPRET PER ISO STANDARDS HANDBOOK TECHNICAL DRAWINGS VOLUMES 1 & 2, THIRD EDITION (2002)		NAME	DATE	TITLE				
		CE MRC	07/12/18	8X8/8X12 CAB MNT CHANNEL SUPPORT KIT (2)				
		RW						
		RV						
		AD						
RE JCC	07/12/18	SCALE	DOCUMENT NO.					
ECN 8000030750		1:8	MTC405312					
SIZE	WORK AREA	MODEL		DRAWING		SHEET		
C		VERSION	STATUS	REVISION	VERSION		STATUS	REVISION
							A	1 OF 1

4

3

2

1